

**VILLAGE OF DOWNERS GROVE  
REPORT FOR THE VILLAGE COUNCIL MEETING  
APRIL 3, 2012 AGENDA**

| <b>SUBJECT:</b>   | <b>TYPE:</b>   | <b>SUBMITTED BY:</b>                                   |
|---|--|--|
| Zoning Ordinance Map<br>Amendment and Final Plat of<br>Subdivision -<br>Attwood Subdivision | <ul style="list-style-type: none"> <li>✓ Resolution</li> <li>Ordinance</li> <li>Motion</li> <li>Discussion Only</li> </ul> | Tom Dabareiner, AICP<br>Community Development Director |

**SYNOPSIS**

An ordinance has been prepared for the Zoning Ordinance Map Amendment to rezone a portion of the property from R-1 to R-3 Single Family Residence. A resolution for a Final Plat of Subdivision has been prepared to subdivide the property into 13 new single family lots and one outlot. The property is located at 6622, 6650 and 6700 Fairview Avenue.

**STRATEGIC PLAN ALIGNMENT**

The goals for 2011-2018 identified *Exceptional Municipal Services*.

**FISCAL IMPACT**

N/A.

**RECOMMENDATION**

Approval on the April 10, 2012 consent agenda.

**BACKGROUND**

The property, commonly known as 6622, 6650 and 6700 Fairview Avenue, is located on the west side of Fairview Avenue between 66<sup>th</sup> Street and 67<sup>th</sup> Court. The property is improved with three single family homes. Single family residences are located to the west and south of the property. Oak Trace retirement community is located to the east and Downers Grove Community Church is located to the north. The petitioner is requesting approval of the Zoning Ordinance Map Amendment to rezone a portion of the property from R-1 to R-3 and approval of the Final Plat of Subdivision to subdivide the parcels into 13 single family lots and one outlot.

The petitioner is proposing to demolish the existing three homes and construct a new street (Atwood Court) with new residential lots on both sides of the cul-de-sac. The proposed subdivision would have 13 single family lots and one lot designated for the stormwater detention facility in the northwest corner of the site. The petitioner is not requesting any exceptions from the Subdivision Ordinance. All required public utility and drainage easement along side and rear lot lines will be provided while a blanket stormwater detention easement will be placed on the entire Lot 14 designated for stormwater detention facility.

The petitioner is required to pay park and school donations for the new single family homes. All proposed public improvements will meet the requirements of the Subdivision Ordinance. The petitioner will create a homeowners association responsible for maintenance of the detention facility. If the homeowners

association fails to maintain the detention facility, a Special Service Area will allow the Village to levy a special tax on the property owners for the maintenance of the facility. The Village would then maintain the detention facilities. The SSA will appear on a future Council agenda.

The proposed lots will meet all minimum lot dimension requirements for the R-3 Single Family Residence district per Sections 28.1103(c) and 28.1104(c) of the Zoning Ordinance and Sections 20.101 and 20.301 of the Subdivision Ordinance. The dimensions for the new lots are outlined in the attached table.

The Residential Area Plan section of the Comprehensive Plan recommends residential areas provide a variety of housing and dwelling unit types and densities, generally organized by dwelling types and lot sizes as identified in the Land Use Plan. The proposed 13-lot subdivision is consistent with the Comprehensive Plan.

The standards for approval of amendments to the Zoning Ordinance have been met. The rezoning of the portion of the property will allow for consistent zoning classification on the entire property and is consistent with the surrounding uses and zoning classifications.

The Plan Commission considered the petition at their March 5, 2012 meeting. Several residents expressed the following concerns:

- Traffic

The residents were concerned the additional traffic generated from the subdivision will have a negative effect on existing traffic on Fairview Avenue. Each single family home on average generates one trip during the morning and evening peak hours. As such, it is expected, 13 additional homes in the proposed subdivision will add approximately 13 new trips during each peak hour. According to the 2010 data from the DuPage County, Fairview Avenue carries approximately 498 vehicles during morning peak hour and 756 vehicles during evening peak hour. As such, 13 additional trips during peak hours will have minimal impact on existing traffic patterns in the area.

- Stormwater

The residents were concerned the proposed development will change existing overland flow routes and increase stormwater runoff on adjacent properties. The petitioner submitted site engineering plans for the development. New storm sewer utility structures will be installed on each lot and will be connected to the detention facility on Lot 14. All stormwater runoff from the property will be collected in the proposed detention facility before discharging into public sewer system. The development meets all requirements of the stormwater ordinance.

- Trees

The residents expressed concern the tree clearance on the property will negatively affect the existing character of the neighborhood. The petitioner submitted a tree-preservation and tree survey plan. The plan indicates a majority of the trees on site will be removed to allow installation of public improvements and stormwater utility structures. The plan also indicates most of the trees on the site are low quality trees. The petitioner stated all efforts will be made to preserve as many trees as possible.

The Plan Commission found that the request met the standards of the Subdivision and Zoning Ordinances. Based on their findings, the Plan Commission recommended unanimous approval of the Zoning Ordinance

Text Amendment and the Final Plat of Subdivision. Staff concurs with the Plan Commission recommendation.

**ATTACHMENTS**

Aerial Map

Ordinance and Resolution

Lot Dimensions

Staff Report with attachments dated March 5, 2012

Minutes of the Plan Commission Hearing dated March 5, 2012

**ORDINANCE NO. \_\_\_\_\_**

**AN ORDINANCE AMENDING THE COMPREHENSIVE ZONING ORDINANCE  
OF THE VILLAGE OF DOWNERS GROVE, ILLINOIS, CODIFIED AS  
CHAPTER 28 OF THE DOWNERS GROVE MUNICIPAL CODE, AS AMENDED  
TO REZONE PROPERTY LOCATED AT 6622 AND 6700 FAIRVIEW AVENUE**

WHEREAS, the real estate located on the west side of Fairview Avenue approximately 365 feet south of 66<sup>th</sup> Street, hereinafter described has been classified as "R-1 Single-Family Residence" under the Comprehensive Zoning Ordinance of the Village of Downers Grove; and,

WHEREAS, the owner or owners of said real estate have requested that such property be rezoned as hereinafter provided; and

WHEREAS, such petition was referred to the Plan Commission of the Village of Downers Grove, and said Plan Commission has given the required public notice, has conducted a public hearing respecting said petition on March 5, 2012 and has made its findings and recommendations respecting said requested rezoning in accordance with the statutes of the State of Illinois and the ordinances of the Village of Downers Grove; and,

WHEREAS, making due allowance for existing conditions, the conservation of property values, the development of the property in conformance to the official Comprehensive Plan of the Village of Downers Grove, and the current uses of the property affected, the Council has determined that the proposed rezoning is for the public good.

NOW, THEREFORE, BE IT ORDAINED by the Council of the Village of Downers Grove, in DuPage County, Illinois, as follows:

**SECTION 1.** The Comprehensive Zoning Ordinance of the Village of Downers Grove, Illinois, codified as Chapter 28 of the Downers Grove Municipal Code (which ordinance as heretofore amended, is hereinafter referred to as the "Zoning Ordinance"), is hereby further amended by changing to "R-3, Single Family Residence" the zoning classification of the following described real estate, to wit:

Parcel 1:

Lot 3 of Janda's Subdivision of the North ½ of the South ½ of the Southeast ¼ of the Southeast ¼ of the Northeast ¼ and the South ½ of the North ½ of the Southeast ¼ of the Southeast ¼ of the Northeast ¼ of Section 20, Township 38 North, Range 11 East of the Third Principal Meridian, according to the plat thereof recorded October 27, 1952 as Document 665991, in DuPage County, Illinois.

Parcel 2:

The South ½ of the South ½ of the Southeast ¼ of the Southeast ¼ of the Northeast ¼ of Section 20, Township 38 North, Range 11 East of the Third Principal Meridian, excepting therefrom the easterly 50 feet thereof, in DuPage County, Illinois.

Parcel 4:

That part of the north 33 feet of the Northeast ¼ of the Southeast ¼ of Section 20, Township 38 North, Range 11 East of the Third Principal Meridian, lying east of the southerly extension of the east line of the Southwest Quarter of the Southeast Quarter of the Northeast ¼ of Section 20, all in DuPage County, Illinois.



Parcel 5:

The South 130.00 feet of Lot 1 in Janda's Subdivision being a subdivision of the north half of the south half of the Southeast Quarter of the Southeast Quarter of the Northeast Quarter and the South Half of the North Half of the Southeast Quarter of the Southeast Quarter of the Northeast Quarter of Section 20, Township 38 North, Range 11 east of the Third Principal Meridian, according to the plat thereof recorded October 27, 1952 as Document Number 665991, in DuPage County, Illinois.

Commonly known as 6622 and 6700 Fairview Avenue, Downers Grove, IL 60516 (PIN #'s 09-20-211-012, -013, -018; 09-20-408-020)

SECTION 2. The official zoning map shall be amended to reflect the change in zoning classification effected by Section 1 of this ordinance, subject to the following conditions:

1. Any changes to the conditions represented by the Petitioner as the basis for this petition, whether those changes occur prior to or after Village approval, shall be promptly reported to the Village. The Village reserves the right to re-open its review process upon receipt of such information; and
2. It is the Petitioner's obligation to maintain compliance with all applicable Federal, State, County and Village laws, ordinances, regulations, and policies.

SECTION 3. All ordinances or parts of ordinances in conflict with the provisions of this ordinance are hereby repealed.

SECTION 4. This ordinance shall be in full force and effect from and after its passage and publication in pamphlet form as provided by law.

\_\_\_\_\_  
Mayor

Passed:

Published:

Attest: \_\_\_\_\_  
Village Clerk

**RESOLUTION \_\_\_\_\_**

**A RESOLUTION APPROVING THE FINAL PLAT OF SUBDIVISION  
FOR 6622, 6650 AND 6700 FAIRVIEW AVENUE**

WHEREAS, application has been made pursuant to the provisions of Chapter 20 of the Downers Grove Municipal Code for the approval of the Final Plat of Subdivision to subdivide five parcels into 13 lots and one out lot for Atwood Resubdivision, located on the west side of Fairview Avenue approximately 365 feet south of 66<sup>th</sup> Street, commonly known as 6622, 6650 and 6700 Fairview Avenue, Downers Grove, Illinois, legally described as follows:

Parcel 1:

Lot 3 of Janda's Subdivision of the North ½ of the South ½ of the Southeast ¼ of the Southeast ¼ of the Northeast ¼ and the South ½ of the North ½ of the Southeast ¼ of the Southeast ¼ of the Northeast ¼ of Section 20, Township 38 North, Range 11 East of the Third Principal Meridian, according to the plat thereof recorded October 27, 1952 as Document 665991, in DuPage County, Illinois.

Parcel 2:

The South ½ of the South ½ of the Southeast ¼ of the Southeast ¼ of the Northeast ¼ of Section 20, Township 38 North, Range 11 East of the Third Principal Meridian, excepting therefrom the easterly 50 feet thereof, in DuPage County, Illinois.

Parcel 3:

That part of the North ½ of the East ½ of the Southeast ¼ of Section 20, Township 38 North, Range 11 East of the Third Principal Meridian, described as follows: beginning at a point in the east line of the said Southeast ¼, which is 2 rods south of the northeast corner of said Southeast ¼; thence southerly along said east line, a distance of 100 feet; thence westerly on a line parallel with the north line of the said Southeast ¼, a distance of 433 feet; thence northerly along a line parallel with the east line of said Southeast ¼, a distance of 433 feet; thence northerly along a line parallel with the east line of said Southeast ¼, a distance of 100 feet to the southerly line of the strip of land described in a warranty deed dated January 1, 1866 and recorded February 22, 1866 in Book 30 of deeds page 453 to Henry Lehman and Jacob Veith; thence easterly along said southerly line of said strip of land, a distance of 433 feet to the point of beginning, (excepting therefrom the easterly 50 feet thereof conveyed to the Village of Downer Grove by warranty deed recorded March 23, 1998 as Document R98-052174), in DuPage County, Illinois.

Parcel 4:

That part of the north 33 feet of the Northeast ¼ of the Southeast ¼ of Section 20, Township 38 North, Range 11 East of the Third Principal Meridian, lying east of the southerly extension of the east line of the Southwest Quarter of the Southeast Quarter of the Northeast ¼ of Section 20, all in DuPage County, Illinois.

Parcel 5:

The South 130.00 feet of Lot 1 in Janda's Subdivision being a subdivision of the north half of the south half of the Southeast Quarter of the Southeast Quarter of the Northeast Quarter and the South Half of the North Half of the Southeast Quarter of the Southeast Quarter of the Northeast Quarter of Section 20, Township 38 North, Range 11 east of the Third Principal Meridian, according to the plat thereof recorded October 27, 1952 as Document Number 665991, in DuPage County, Illinois.

Commonly known as 6622, 6700 and 6650 Fairview Avenue, Downers Grove, IL 60516 (PIN #'s 09-20-211-012, -013, -018; 09-20-408-020, -021)

WHEREAS, notice has been given and a public hearing held on March 5, 2012 regarding this plat application pursuant to the requirements of the Downers Grove Municipal Code; and,

WHEREAS, the Plan Commission has recommended approval of the Final Plat of Subdivision for the Attwood Resubdivision, located at 6622, 6700 and 6650 Fairview Avenue, as requested, subject to certain conditions.

NOW, THEREFORE, BE IT RESOLVED by the Village Council of the Village of Downers Grove that the Final Plat of Subdivision for the Attwood Resubdivision, located at 6622, 6700 and 6650 Fairview Avenue, be and is hereby approved subject to the following condition:

1. The final plat of subdivision shall substantially conform to the Final Plat of Atwood Resubdivision prepared by C. M. Lavoie & Associates. Inc., dated December 02, 2011, last revised February 8, 2012, Proposed Site Improvements for Atwood Subdivision prepared by C. M. Lavoie & Associates. Inc., dated December 11, 2011, last revised February 7, 2012, EX07 Tree Removal Plan, prepared by C. M. Lavoie & Associates. Inc., dated October 26, 2011, last revised February 8, 2012 and Boundary & Topography Survey prepared by C. M. Lavoie & Associates. Inc., dated October 26, 2011, except as such plans may be modified to conform to the Village Codes and Ordinances.
2. The Home Owners Association Declaration of Restrictive Covenants document for the Atwood subdivision shall be recorded with the plat of subdivision.
3. The Final Plat of Atwood Resubdivision shall be revised to indicate the depth of proposed public utility and drainage easements along rear lot lines of Lots 9-13.
4. Upon completion of all remaining public improvements for the entire Atwood Subdivision, the petitioner shall submit record drawings for approval by the Village Council. Along with the record drawings, the petitioner shall submit a guarantee security in the amount of 20% of the total cost of the public improvements, which shall expire no earlier than two years after acceptance of such public improvements by the Village Council.
5. The petitioner shall pay \$53,993.06 for park and school donations (\$25,024.93 for the Park District, \$19,480.93 for School District 58 and \$ 9,487.20 for School District 99) prior to Village executing the plat.
6. A fee in lieu payment for 20 new parkway trees (\$500 per tree, total payment \$10,000) must be submitted prior to issuance of the construction permit.
7. The approval from the Downers Grove Sanitary District shall be submitted prior to issuance of construction permits.
8. The approval from the DuPage County for Impact Fees and the DuPage County Health Department for the removal of existing wells on the property shall be submitted prior to issuance of the construction permits.

BE IT FURTHER RESOLVED, that the Mayor and Village Clerk are authorized to sign the final plat.

BE IT FURTHER RESOLVED, that this resolution shall be in full force and effect from and after its

adoption in the manner provided by law.

---

Mayor

Passed:

Attest: \_\_\_\_\_

Village Clerk

P.I.Nos  
 09-20-211-012  
 09-20-211-013  
 09-20-211-018  
 09-20-211-020  
 09-20-211-021

# FINAL PLAT

## ATWOOD RESUBDIVISION

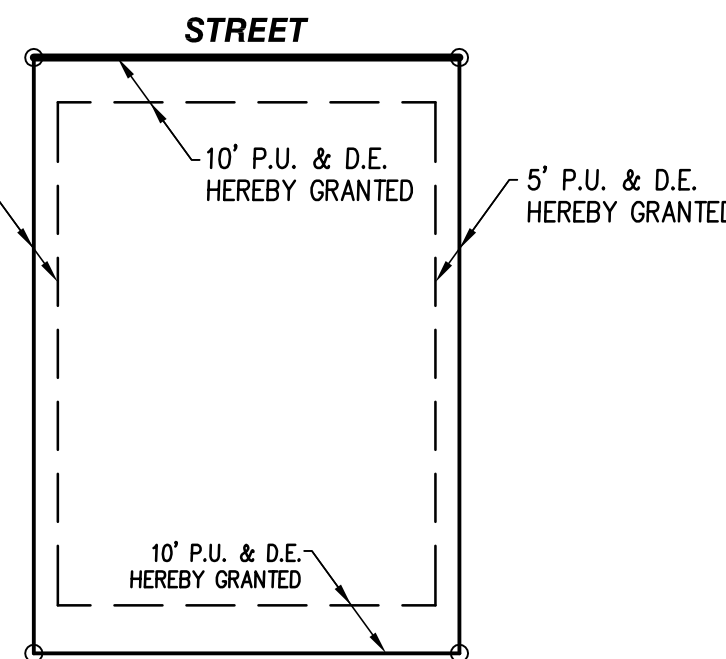
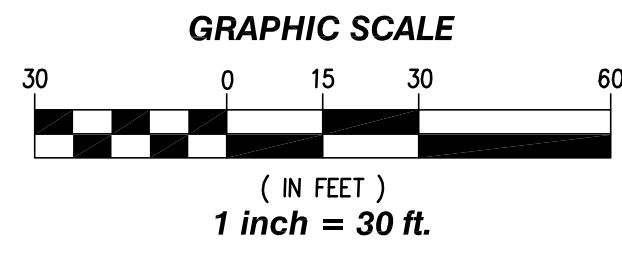
BEING A PART OF NORTHEAST QUARTER AND SOUTHEAST QUARTER OF SECTION 20, TOWNSHIP 38 NORTH, RANGE 11 EAST OF THE THIRD PRINCIPAL MERIDIAN, IN DuPAGE COUNTY, ILLINOIS

**LEGEND**

- 0.00' MEASURED DATA
- (0.00') RECORDED DATA
- LIMIT OF SURVEY
- PROPOSED LOT LINE
- EXISTING LOT LINE
- SECTION LINE
- EXISTING RIGHT-OF-WAY LINE
- PROPOSED EASEMENT LINE (HEREBY GRANTED)

P.U. & D.E.  
 PUBLIC UTILITY AND DRAINAGE EASEMENT

- SET 5/8" DIAMETER x 24" LENGTH IRON ROD
- SET 4" SQUARE x 24" LENGTH CONCRETE MONUMENT
- C1 15.06'
- L1 N 51°15'26" W, 46.66'
- L2 S 51°15'26" E, 46.15'



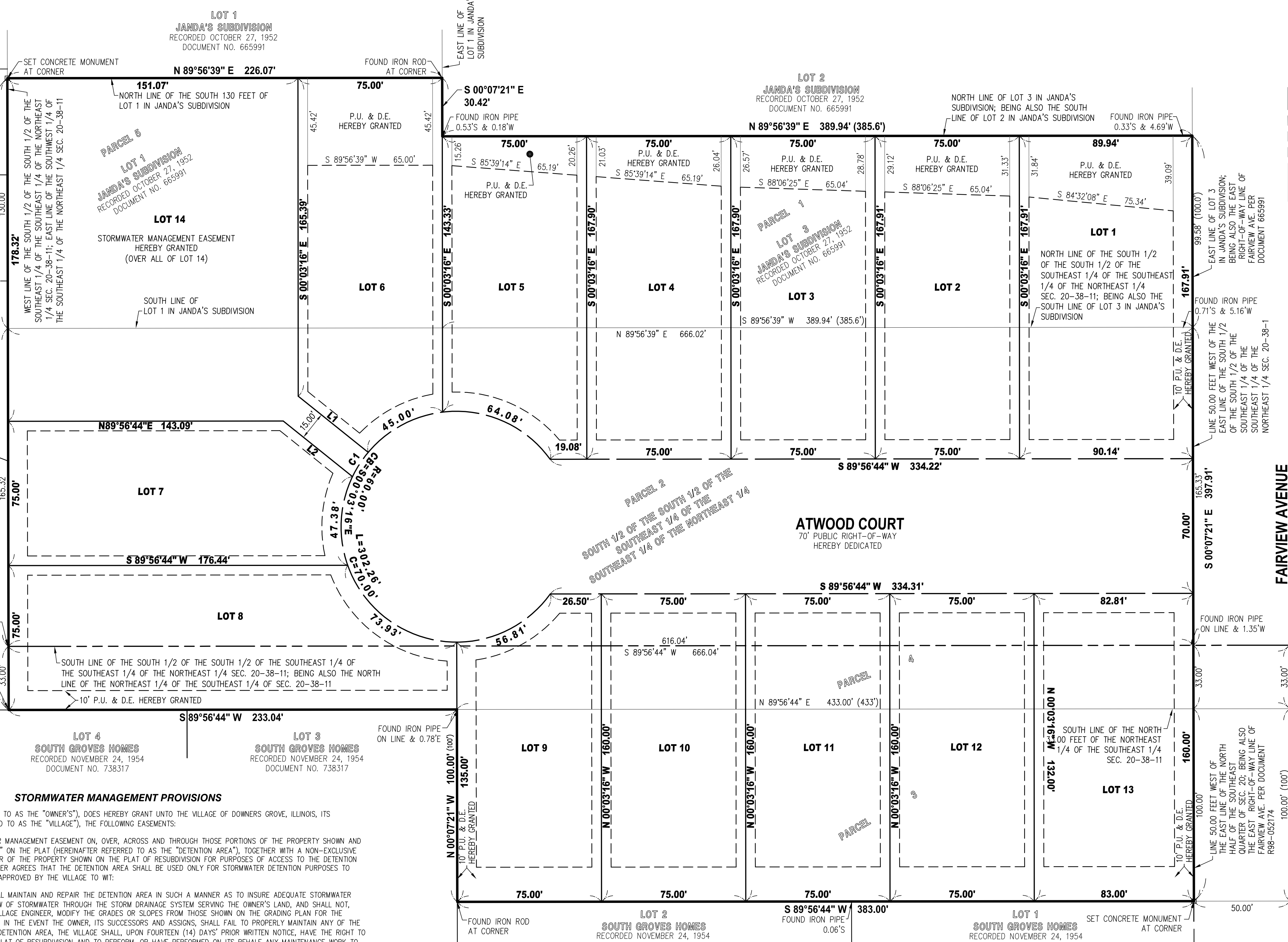
**TYPICAL LOT EASEMENT DIMENSIONS**  
 PUBLIC UTILITY AND DRAINAGE EASEMENTS (P.U. & D.E.) ARE HEREBY GRANTED PER THIS RESUBDIVISION PLAT AND AS SHOWN HEREON. ALL P.U. & D.E.'S ARE SUBJECT TO THE FOLLOWING DIMENSIONS, UNLESS OTHERWISE NOTED.

**LOT AREA**

- LOT 1 ~ 15,119 SQUARE FEET OR 0.347 ACRES +/-
- LOT 2 ~ 12,593 SQUARE FEET OR 0.289 ACRES +/-
- LOT 3 ~ 12,593 SQUARE FEET OR 0.289 ACRES +/-
- LOT 4 ~ 12,593 SQUARE FEET OR 0.289 ACRES +/-
- LOT 5 ~ 11,561 SQUARE FEET OR 0.265 ACRES +/-
- LOT 6 ~ 13,545 SQUARE FEET OR 0.311 ACRES +/-
- LOT 7 ~ 12,705 SQUARE FEET OR 0.292 ACRES +/-
- LOT 8 ~ 15,826 SQUARE FEET OR 0.363 ACRES +/-
- LOT 9 ~ 11,163 SQUARE FEET OR 0.256 ACRES +/-
- LOT 10 ~ 12,000 SQUARE FEET OR 0.275 ACRES +/-
- LOT 11 ~ 12,000 SQUARE FEET OR 0.275 ACRES +/-
- LOT 12 ~ 12,000 SQUARE FEET OR 0.275 ACRES +/-
- LOT 13 ~ 13,265 SQUARE FEET OR 0.305 ACRES +/-
- LOT 14 ~ 27,559 SQUARE FEET OR 0.633 ACRES +/-

**SURVEYOR'S NOTES**

1. DIMENSIONS SHOWN THUS: 50.25' ARE FEET AND DECIMAL PARTS THEREOF. ANGULAR DATA SHOWN THUS: 90°00'00" INDICATES DEGREES, MINUTES AND SECONDS.
2. A BLANKET EASEMENT IS HEREBY GRANTED OVER ALL OF LOT 14 IN THIS RESUBDIVISION FOR STORMWATER MANAGEMENT PURPOSES.
3. ALL P.U. & D.E. AND STORMWATER MANAGEMENT EASEMENTS WITHIN THIS SUBDIVISION ARE SUBJECT TO THE RULES AND REGULATIONS AS OUTLINED IN THE DECLARATION OF COVENANTS, CONDITIONS, EASEMENTS AND RESTRICTIONS FOR THE HOMEOWNERS' ASSOCIATION FOR ATWOOD RESUBDIVISION.



**STORMWATER MANAGEMENT PROVISIONS**

GREENSCAPE HOMES, LLC (HEREINAFTER REFERRED TO AS THE "OWNER'S"), DOES HEREBY GRANT UNTO THE VILLAGE OF DOWNERS GROVE, ILLINOIS, ITS SUCCESSORS AND ASSIGNS (HEREINAFTER REFERRED TO AS THE "VILLAGE"), THE FOLLOWING EASEMENTS:

1. A NON-EXCLUSIVE AND PERPETUAL STORMWATER MANAGEMENT EASEMENT ON, OVER, ACROSS AND THROUGH THOSE PORTIONS OF THE PROPERTY SHOWN AND MARKED AS "STORMWATER MANAGEMENT EASEMENT" ON THE PLAT (HEREINAFTER REFERRED TO AS THE "DETENTION AREA"), TOGETHER WITH A NON-EXCLUSIVE AND PERPETUAL EASEMENT ACROSS THE REMAINDER OF THE PROPERTY SHOWN ON THE PLAT OF RESUBDIVISION FOR PURPOSES OF ACCESS TO THE DETENTION AREA FOR THE PURPOSE SET FORTH HEREIN. OWNER AGREES THAT THE DETENTION AREA SHALL BE USED ONLY FOR STORMWATER DETENTION PURPOSES TO SERVE THE OWNER'S LAND AND FOR OTHER USES APPROVED BY THE VILLAGE TO WIT:

THE OWNERS, ITS SUCCESSORS AND ASSIGNS, SHALL MAINTAIN AND REPAIR THE DETENTION AREA IN SUCH A MANNER AS TO INSURE ADEQUATE STORMWATER STORAGE AND THE FREE AND UNINTERRUPTED FLOW OF STORMWATER THROUGH THE STORM DRAINAGE SYSTEM SERVING THE OWNER'S LAND, AND SHALL NOT, WITHOUT THE PRIOR WRITTEN APPROVAL OF THE VILLAGE ENGINEER, MODIFY THE GRADES OR SLOPES FROM THOSE SHOWN ON THE GRADING PLAN FOR THE OWNER'S PROPERTY APPROVED BY THE VILLAGE OR IN THE EVENT THE OWNER, ITS SUCCESSORS AND ASSIGNS, SHALL FAIL TO PROPERLY MAINTAIN ANY OF THE STORMWATER MANAGEMENT FACILITIES WITHIN THE DETENTION AREA, THE VILLAGE SHALL, UPON FOURTEEN (14) DAYS' PRIOR WRITTEN NOTICE, HAVE THE RIGHT TO ENTER UPON THE OWNER'S LAND SHOWN ON THE PLAT OF RESUBDIVISION AND TO PERFORM, OR HAVE PERFORMED ON ITS BEHALF ANY MAINTENANCE WORK TO OR UPON THE DETENTION AREA, AS THE CASE MAY BE, REASONABLY NECESSARY TO INSURE ADEQUATE STORMWATER STORAGE AND FREE FLOW OF STORMWATER THROUGH THE STORM DRAINAGE SYSTEM SERVING THE OWNER'S LAND. AFTER RECEIVING SUCH NOTICE FROM THE VILLAGE, OWNER SHALL FOR TEN (10) DAYS RETAIN THE OPTION OF PERFORMING ANY MAINTENANCE WORK ITSELF. VILLAGE AGREES, BY THE ACCEPTANCE OF THIS EASEMENT THAT IT WILL INDEMNIFY, DEFEND AND HOLD THE OWNER, ITS SUCCESSORS AND ASSIGNS, HARMLESS FROM AND AGAINST ANY AND ALL COST, DAMAGES, CLAIMS, EXPENSES, LIABILITIES AND JUDGMENTS (INCLUDING REASONABLY ATTORNEY'S FEES) FOR PROPERTY DAMAGE AND PERSONAL INJURY, INCLUDING DEATH, ARISING OUT OF OR RELATED TO THE VILLAGE'S ACTS AND OMISSIONS PURSUANT TO THIS EASEMENT CONVEYANCE, OWNER, AND ITS SUCCESSORS AND ASSIGNS, RETAINS THE RIGHT TO USE THE EASEMENT PREMISES FOR ANY USE NOT INCONSISTENT WITH THE GRANTING OF THE EASEMENT PREMISES HEREIN.

THE VILLAGE MAY, WITHOUT PRIOR NOTICE, ENTER THE EASEMENT AREA FOR PURPOSES OF INSPECTING THE STORM SEWERS FOR PROPER MAINTENANCE AND COMPLIANCE WITH APPLICABLE WASTE QUALITY REGULATIONS.

© Copyright, 2012 C. M. Lavoie & Associates, Inc.  
 This plan is protected under the copyright laws of the United States of America and foreign countries, and is to be used solely at the discretion of the Owner and C.M. Lavoie & Associates, Inc. Any use of this plan without the permission of the Owner and/or C.M. Lavoie & Associates, Inc., constitutes a violation of C.M. Lavoie & Associates, Inc.'s copyright of this plan and is prohibited.

**GREENSCAPE VENTURES, LLC**

FAIRVIEW AVENUE AT 66TH STREET  
 DOWNERS GROVE, ILLINOIS

PLAT OF RESUBDIVISION  
 DRAWN BY: JCB CHECKED BY: KEB  
 SCALE: 1"=30' DATE: 12/2/11  
 JOB NUMBER: 11-157 SHEET: 1 OF 2



| # | DATE     | DESCRIPTION                       |
|---|----------|-----------------------------------|
| 1 | 01/17/12 | REVISE PER VILLAGE LTR DTD 1/9/12 |
| 2 | 02/08/12 | REVISE PER VILLAGE LTD DTD 2/3/12 |
| 3 |          |                                   |
| 4 |          |                                   |
| 5 |          |                                   |
| 6 |          |                                   |
| 7 |          |                                   |
| 8 |          |                                   |

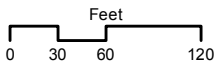
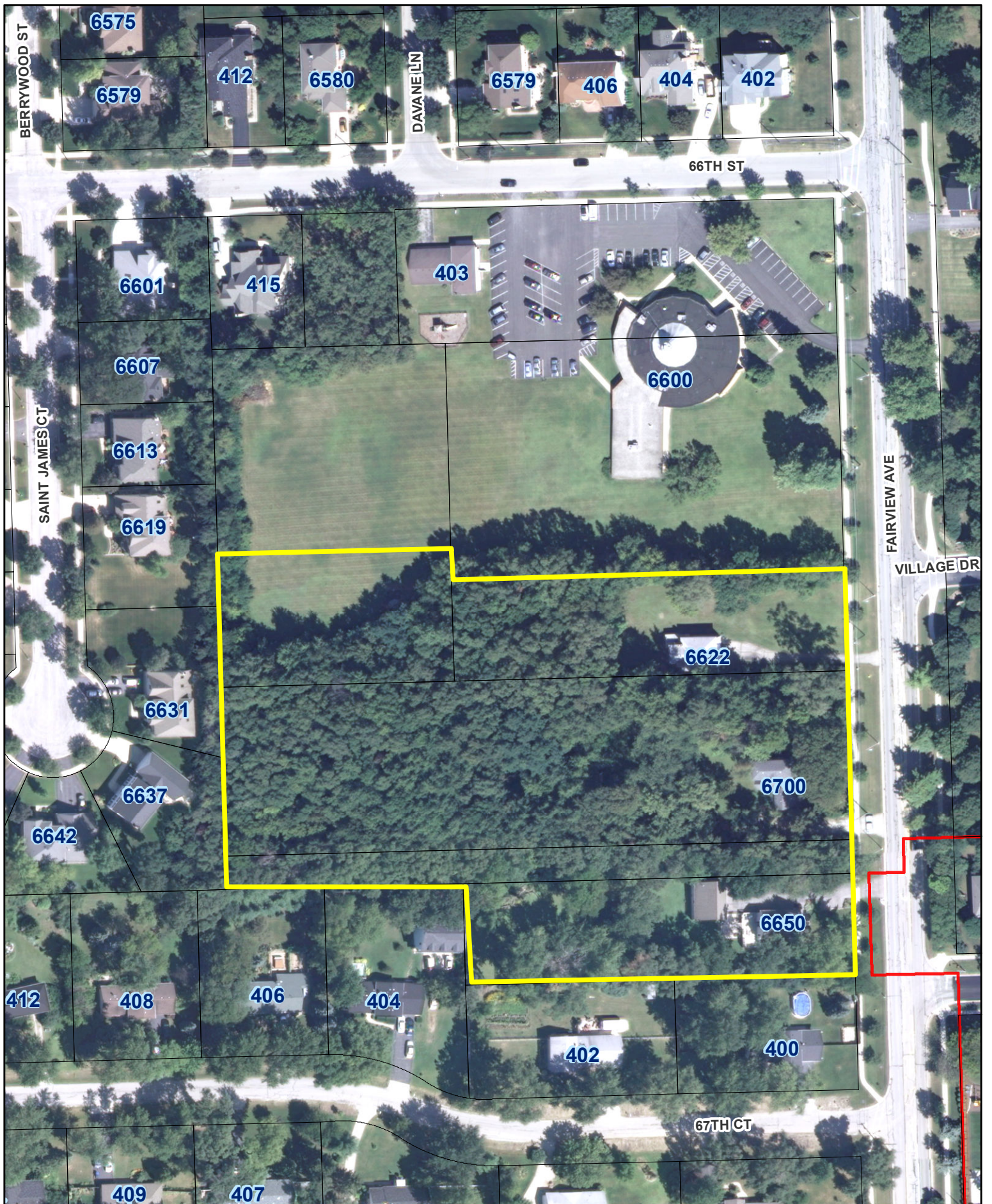




## Lot Dimensions

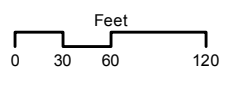
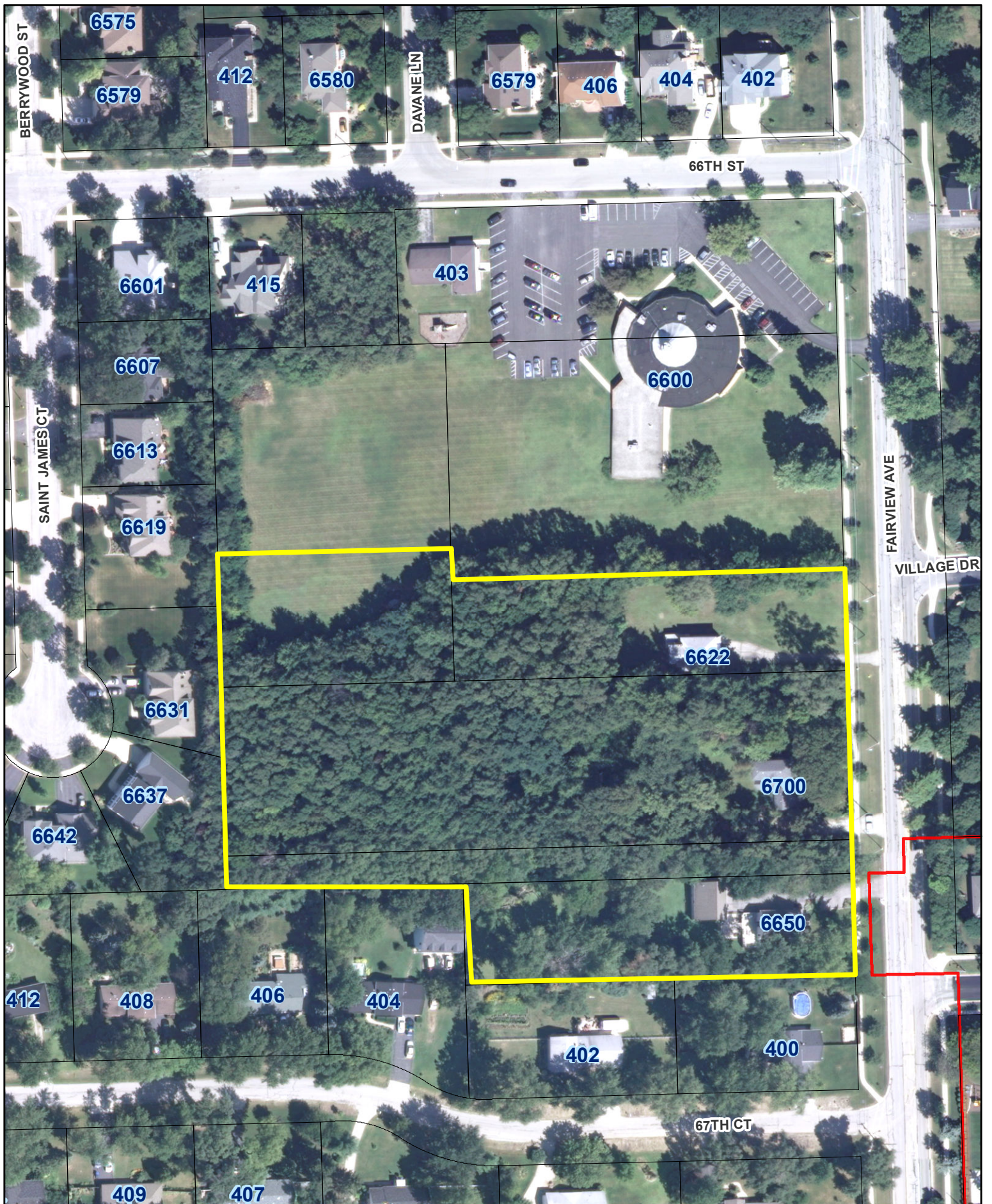
| <b>Atwood<br/>Subdivision</b>      | <b>Lot Width<br/>(req. 75 ft.)</b> | <b>Lot Depth<br/>(req. 140 ft.)</b> | <b>Lot Area<br/>(req. 10, 500 sq. ft.)</b> |
|------------------------------------|------------------------------------|-------------------------------------|--|
| Lot 1                              | 90.14 ft                           | 167.91 ft                           | 15,119 sq. ft.                             |
| Lot 2                              | 75 ft.                             | 167.91 ft.                          | 12,593 sq. ft.                             |
| Lot 3                              | 75 ft.                             | 167.90 ft.                          | 12,593 sq. ft.                             |
| Lot 4                              | 75 ft.                             | 167.90 ft.                          | 12,593 sq. ft.                             |
| Lot 5                              | 75 ft.                             | 147 ft.                             | 11,561 sq. ft.                             |
| Lot 6                              | 75 ft.                             | 182 ft.                             | 13,545 sq. ft.                             |
| Lot 7                              | 75 ft.                             | 174 ft.                             | 12,705 sq. ft.                             |
| Lot 8                              | 75 ft.                             | 197 ft.                             | 15,826 sq. ft.                             |
| Lot 9                              | 75 ft.                             | 147 ft.                             | 11,163 sq. ft.                             |
| Lot 10                             | 75 ft.                             | 160 ft.                             | 12,000 sq. ft.                             |
| Lot 11                             | 75 ft.                             | 160 ft.                             | 12,000 sq. ft.                             |
| Lot 12                             | 75 ft.                             | 160 ft.                             | 12,000 sq. ft.                             |
| Lot 13                             | 82.81 ft.                          | 160 ft.                             | 13,265 sq. ft.                             |
| Lot 14<br>Stormwater Detention Lot | 15 ft.                             | 214 ft.                             | 27,559 sq. ft.                             |





**6622 - 6650  
Fairview Avenue**





**6622 - 6650  
Fairview Avenue**





**GREENSCAPE  
HOMES, LLC**

December 16, 2011

Mr. Jeff O'Brien  
Village of Downers Grove  
Department of Community Development  
801 Burlington Avenue  
Downers Grove, IL 60515

Dear Mr. O'Brien:

Subject: Authorization for Owner's designated agent – Greenscape Homes

Please accept this letter of authorization appointing CM Lavoie & Associates to act as Greenscape Homes' designated agent for the subdivision process for the Village of Downers Grove for the following property:

Property Located at Fairview Avenue Between 66<sup>th</sup> Street & 67<sup>th</sup> Court  
PIN(s) #09-20-211-012; #09-20-211-013; #09-20-211-018; #09-20-211-020;  
#09-20-211-021

If you have any questions or need additional information, please don't hesitate to contact me at 630/281-2039.

Sincerely,

Kathleen Washko  
Chief Financial Officer

cc: Ken Neumann



## **C. M. Lavoie & Associates, Inc.**

**Consulting Civil Engineering  
Land Planning & Surveying**

1050 State Route 126 • Plainfield, IL 60544  
815.254.0505 • Fax: 815.436.5158

December 16, 2011

### **GREENSCAPE VENTURES SUBDIVISION PROJECT SUMMARY**

The proposed Greenscape Ventures Subdivision encompasses approximately 5.25 acres on the west side of Fairview Avenue, between 66<sup>th</sup> Street and 67<sup>th</sup> Court. The subject site currently has three single family homes with outbuildings located on it. The subject site is border by a church to the north, the Fairview ROW to the east and residential subdivisions to the west and south.

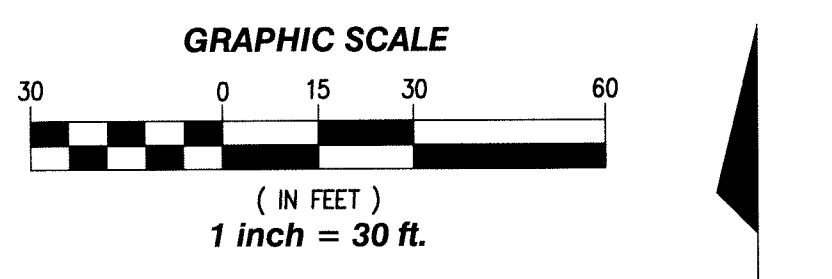
The proposed development consists of demolishing the existing buildings on the site, and subdividing the parcels into fourteen total lots, thirteen single family residential lots and one lot that is to be exclusively used for stormwater management purposes.

Improvements associated with the proposed development include one east-west residential street with a cul-de-sac turnaround, sidewalks, watermain extension, water services, fire hydrants, sanitary sewer, sanitary sewer services, street lights and storm sewer.

The purpose of the Greenscape Ventures Subdivision is to subdivide the existing parcels into fourteen separate lots. In addition to subdividing the parcels, we will be rezoning the entire development to R-3 Zoning. The current parcels are zoned R-1 and R-3.

All thirteen proposed residential lots conform to all of the Village of Downers Grove zoning requirements for R-3 zoning including square footage, width, depth and setbacks as stipulated in the current Zoning Ordinance. The proposed development will be designed and constructed in accordance with the Village of Downers Grove and the DuPage County Ordinances.

- LEGEND**
- 0.00' MEASURED DATA
  - (0.00') RECORD DATA
  - LIMIT OF SURVEY
  - SECTION LINE
  - EXISTING RIGHT-OF-WAY LINE
  - EXISTING EASEMENT LINE
  - EXISTING CONTOUR LINE
  - EXISTING UNDERGROUND SANITARY LINE
  - EXISTING UNDERGROUND STORM LINE
  - EXISTING UNDERGROUND WATER LINE
  - EXISTING MONUMENTATION
  - EXISTING CATCH BASIN
  - EXISTING FIRE HYDRANT
  - EXISTING GUY WIRE
  - EXISTING LIGHT STANDARD
  - EXISTING MAILBOX
  - EXISTING MANHOLE
  - EXISTING POWER POLE
  - EXISTING POWER POLE W/ TRANSFORMER
  - EXISTING TELEPHONE PEDESTAL
  - EXISTING WATER VALVE



# BOUNDARY & TOPOGRAPHIC SURVEY

**PARCEL 1:** THE SOUTH 1/2 OF THE SOUTH 1/2 OF THE SOUTH 1/4 OF THE SOUTHWEST 1/4 OF THE SOUTHWEST 1/4 OF THE NORTH 1/2 OF THE SOUTH 1/2 OF THE SOUTHWEST 1/4 OF THE SOUTHWEST 1/4 OF SECTION 20, TOWNSHIP 38 NORTH, RANGE 11 EAST OF THE THIRD PRINCIPAL MERIDIAN, ACCORDING TO THE PLAT THEREOF RECORDED OCTOBER 27, 1952 AS DOCUMENT 665991, IN DUPAGE COUNTY, ILLINOIS.

**PARCEL 2:** THE SOUTH 1/2 OF THE SOUTH 1/2 OF THE SOUTH 1/4 OF THE SOUTHWEST 1/4 OF THE SOUTHWEST 1/4 OF SECTION 20, TOWNSHIP 38 NORTH, RANGE 11 EAST OF THE THIRD PRINCIPAL MERIDIAN, EXCEPTING THEREFROM THE EASTERLY 50 FEET THEREOF, IN DUPAGE COUNTY, ILLINOIS.

**PARCEL 3:** THAT PART OF THE NORTH 1/2 OF THE EAST 1/2 OF THE SOUTHWEST 1/4 OF SECTION 20, TOWNSHIP 38 NORTH, RANGE 11 EAST OF THE THIRD PRINCIPAL MERIDIAN, DESCRIBED AS FOLLOWS: BEGINNING AT A POINT IN THE EAST LINE OF SAID SOUTHWEST 1/4, WHICH IS 2 RODS SOUTH OF THE NORTHEAST CORNER OF SAID SOUTHWEST 1/4; THENCE SOUTHERLY ALONG SAID EAST LINE, A DISTANCE OF 100 FEET; THENCE WESTERLY ON A LINE PARALLEL WITH THE NORTH LINE OF SAID SOUTHWEST 1/4, A DISTANCE OF 433 FEET; THENCE NORTHERLY ALONG A LINE PARALLEL WITH THE EAST LINE OF SAID SOUTHWEST 1/4, A DISTANCE OF 433 FEET; THENCE NORTHERLY ALONG A LINE PARALLEL WITH THE EAST LINE OF SAID SOUTHWEST 1/4, A DISTANCE OF 100 FEET TO THE SOUTHERLY LINE OF THE STRIP OF LAND DESCRIBED IN A WARRANTY DEED DATED JANUARY 1, 1866 AND RECORDED FEBRUARY 22, 1866 IN BOOK 30 OF DEEDS PAGE 453 TO HENRY LEHMAN AND JACOB VEITH; THENCE EASTERLY ALONG SAID SOUTHERLY LINE OF SAID STRIP OF LAND, A DISTANCE OF 433 FEET TO THE POINT OF BEGINNING, (EXCEPTING THEREFROM THE EASTERLY 50 FEET THEREOF CONVEYED TO THE VILLAGE OF DOWNERS GROVE BY WARRANTY DEED RECORDED MARCH 23, 1998 AS DOCUMENT R98-052174), IN DUPAGE COUNTY, ILLINOIS.

**PARCEL 4:** THAT PART OF THE NORTH 33 FEET OF THE NORTHEAST 1/4 OF THE SOUTHWEST 1/4 OF SECTION 20, TOWNSHIP 38 NORTH, RANGE 11 EAST OF THE THIRD PRINCIPAL MERIDIAN, LYING EAST OF THE SOUTHERLY EXTENSION OF THE EAST LINE OF THE SOUTHWEST QUARTER OF THE SOUTHWEST QUARTER OF THE NORTHEAST 1/4 OF SECTION 20, ALL IN DUPAGE COUNTY, ILLINOIS.

**PARCEL 5:** THE SOUTH 130.00 FEET OF LOT 1 IN JANDA'S SUBDIVISION BEING A SUBDIVISION OF THE NORTH HALF OF THE SOUTH HALF OF THE SOUTHWEST QUARTER OF THE SOUTHWEST QUARTER OF THE NORTHEAST QUARTER AND THE SOUTH HALF OF THE NORTH HALF OF THE SOUTHWEST QUARTER OF THE SOUTHWEST QUARTER OF THE NORTHEAST QUARTER OF SECTION 20, TOWNSHIP 38 NORTH, RANGE 11 EAST OF THE THIRD PRINCIPAL MERIDIAN, ACCORDING TO THE PLAT THEREOF RECORDED OCTOBER 27, 1952 AS DOCUMENT NUMBER 665991, IN DUPAGE COUNTY, ILLINOIS.

SAID PARCELS OF LAND CONTAINING 228,693 SQUARE FEET OR 5.250 ACRES, MORE OR LESS.

**SURVEYOR'S NOTES**

- DIMENSIONS SHOWN THUS: 50.25' ARE FEET AND DECIMAL PARTS THEREOF. ANGULAR DATA SHOWN THUS: 90°00'00" INDICATES DEGREES, MINUTES AND SECONDS.
- NORTH ARROW AND BEARINGS BASED ON THE NORTH LINE OF THE NORTHEAST QUARTER OF THE SOUTHWEST QUARTER OF SECTION 20-38-11 BEING SOUTH 89 DEGREES 56 MINUTES 44 SECONDS WEST.
- IMPROVEMENT LOCATIONS ARE BASED ON A FIELD SURVEY BY C.M. LAVOIE AND ASSOCIATES, INC. ON SEPTEMBER 2, 2011.
- COMPARE YOUR POINTS BEFORE USING SAME AND REPORT ANY DIFFERENCES IMMEDIATELY.
- CHECK LEGAL DESCRIPTION WITH DEED OR TITLE POLICY AND REPORT ANY DISCREPANCY IMMEDIATELY. BUILDING LINES AND EASEMENTS, IF ANY, SHOWN HEREON ARE AS SHOWN ON THE RECORDED SUBDIVISION OR AS INDICATED.
- THE LOCATION OF UNDERGROUND UTILITIES SHOWN HEREON ARE APPROXIMATE AND COMPILED FROM FIELD SURFACE OBSERVATIONS, UTILITY MARKINGS LOCATED IN THE FIELD AND UTILITY ATLASES. SOME OF THE PROVIDED ATLASES INDICATE LOCATIONS BY GRAPHIC REPRESENTATION ONLY AND THESE ARE SHOWN TO THE BEST OF OUR ABILITY. UNDERGROUND UTILITIES SHOWN ARE FOR INFORMATIONAL PURPOSES ONLY. ANY CONTRACTOR CONTEMPLATING WORK ON THIS SITE SHOULD CONFIRM THE LOCATION OF ALL UTILITIES PRIOR TO THE COMMENCEMENT OF EXCAVATION.

STATE OF ILLINOIS )  
 COUNTY OF KENDALL )

WE, C.M. LAVOIE AND ASSOCIATES, INC., ILLINOIS PROFESSIONAL DESIGN FIRM NO. 184-003041, HEREBY CERTIFY THAT THE PLAT DRAIN HEREON AND THE SURVEY THAT IT REPRESENTS, WERE PREPARED AND PERFORMED BY US, AND THAT THIS PROFESSIONAL SERVICE CONFORMS TO THE CURRENT ILLINOIS MINIMUM STANDARDS FOR BOUNDARY SURVEYS.

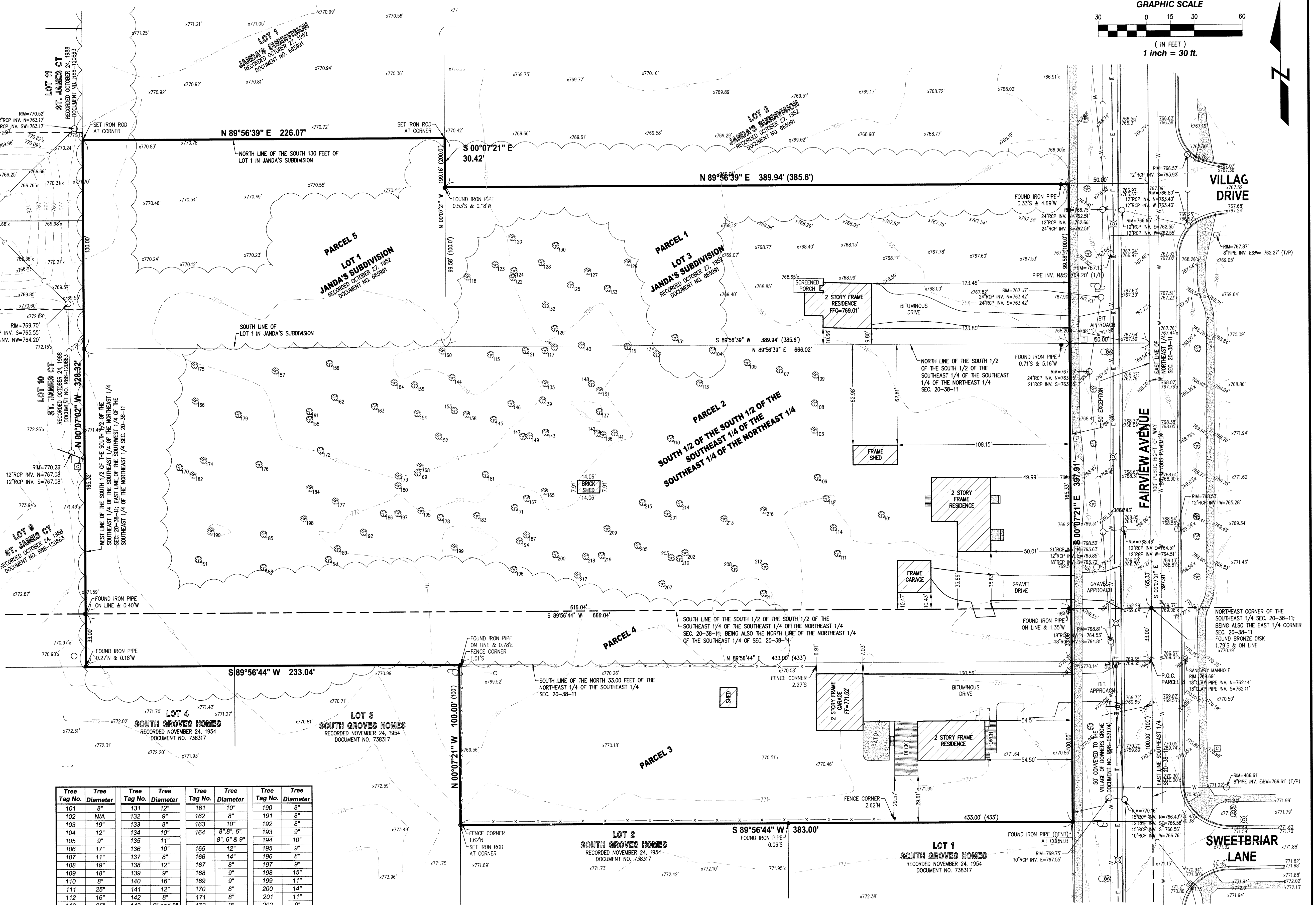
DATED AT DOWNERS GROVE, ILLINOIS THIS 17th DAY OF JANUARY, 2012.

*[Signature]*  
 KEITH E. BOLLINGER  
 PLAINFIELD, ILLINOIS  
 LICENSE EXPIRES 11-30-2012

PROFESSIONAL LAND SURVEYOR  
 No. 035-3592  
 KEITH E. BOLLINGER  
 PLAINFIELD, ILLINOIS  
 LICENSE EXPIRES 11-30-2012

© Copyright, 2012 C. M. Lavoie & Associates, Inc.  
 This plan is protected under the copyright laws of the United States of America and foreign countries, and is to be used solely at the discretion of the Owner and C.M. Lavoie & Associates, Inc. Any use of this plan without the permission of the Owner and/or C.M. Lavoie & Associates, Inc., constitutes a violation of C.M. Lavoie & Associates, Inc.'s copyright of this plan and is prohibited.

| Tree Tag No. | Tree Diameter | Tree Tag No. | Tree Diameter | Tree Tag No. | Tree Diameter | Tree Tag No. | Tree Diameter |
|--------------|---------------|--------------|---------------|--------------|---------------|--------------|---------------|
| 101          | 8"            | 131          | 12"           | 161          | 10"           | 190          | 8"            |
| 102          | N/A           | 132          | 9"            | 162          | 8"            | 191          | 8"            |
| 103          | 19"           | 133          | 8"            | 163          | 10"           | 192          | 8"            |
| 104          | 12"           | 134          | 10"           | 164          | 8", 8", 6"    | 193          | 9"            |
| 105          | 9"            | 135          | 11"           | 165          | 8", 6" & 9"   | 194          | 10"           |
| 106          | 17"           | 136          | 10"           | 166          | 12"           | 195          | 9"            |
| 107          | 11"           | 137          | 8"            | 167          | 14"           | 196          | 8"            |
| 108          | 19"           | 138          | 12"           | 168          | 8"            | 197          | 9"            |
| 109          | 18"           | 139          | 9"            | 169          | 9"            | 198          | 15"           |
| 110          | 8"            | 140          | 16"           | 170          | 8"            | 199          | 11"           |
| 111          | 25"           | 141          | 12"           | 171          | 8"            | 200          | 14"           |
| 112          | 16"           | 142          | 8"            | 172          | 8"            | 201          | 11"           |
| 113          | 25"           | 143          | 6" and 8"     | 173          | 9"            | 202          | 9"            |
| 114          | 18"           | 144          | 8"            | 174          | 8"            | 203          | 8"            |
| 115          | 14"           | 145          | 15"           | 175          | 15"           | 204          | N/A           |
| 116          | 8"            | 146          | 10"           | 176          | 8"            | 205          | 12"           |
| 117          | 13"           | 147          | 8"            | 177          | 8"            | 206          | N/A           |
| 118          | 9"            | 148          | 10"           | 178          | 17"           | 207          | 9"            |
| 119          | 15"           | 149          | 11"           | 179          | 12"           | 208          | 8"            |
| 120          | 9"            | 150          | N/A           | 180          | 8"            | 209          | 11"           |
| 121          | 8"            | 151          | 8"            | 181          | 8"            | 210          | 11"           |
| 122          | 8"            | 152          | 15"           | 182          | 18"           | 211          | 10"           |
| 123          | 8"            | 153          | 8"            | 183          | 12"           | 212          | 9"            |
| 124          | 8"            | 154          | 9"            | 184          | 10"           | 213          | 11"           |
| 125          | 8"            | 155          | 8"            | 185          | 11"           | 214          | 8"            |
| 126          | 9"            | 156          | 8"            | 186          | 8"            | 215          | 11"           |
| 127          | 9"            | 157          | 13"           | 187          | 10"           | 216          | 13"           |
| 128          | 8"            | 158          | 11"           | 188          | 9"            | 217          | 11"           |
| 129          | 8"            | 159          | 10"           | 189          | 15"           | 218          | 11"           |
| 130          | 9"            | 160          | 9"            | 189          | 8"            | 219          | 9"            |



**GREENSCAPE HOMES, LLC**  
 6618, 6622, 6650 AND 6700 FAIRVIEW AVENUE  
 DOWNERS GROVE, ILLINOIS

**BNDRY & TOPOGRAPHIC SURVEY**

DRAWN BY: TCB    CHECKED BY: KEB  
 SCALE: 1"=30'    DATE: 10/26/11  
 JOB NUMBER: 11-157    SHEET: 1 OF 1

Consulting Civil Engineering  
 Land Planning & Surveying  
 1050 State Route 126  
 Plainfield, Illinois 60544  
 voice 815-254-0505  
 fax 815-436-5158

**C.M. Lavoie & Associates, INC.**

| # | DATE | DESCRIPTION |
|---|------|-------------|
| 1 |      |             |
| 2 |      |             |
| 3 |      |             |
| 4 |      |             |
| 5 |      |             |
| 6 |      |             |
| 7 |      |             |
| 8 |      |             |

**BENCHMARKS**  
 DUPAGE COUNTY BENCHMARK:  
 DGN07001 - BRONZE DISK IN CONCRETE BASE OF TRAFFIC CONTROL BOX AT THE NORTHWEST CORNER OF MAPLE AVENUE AND 55TH STREET. ELEVATION...743.51' NGVD29



P.I.Nos  
 09-20-211-012  
 09-20-211-013  
 09-20-211-018  
 09-20-211-020  
 09-20-211-021

# FINAL PLAT

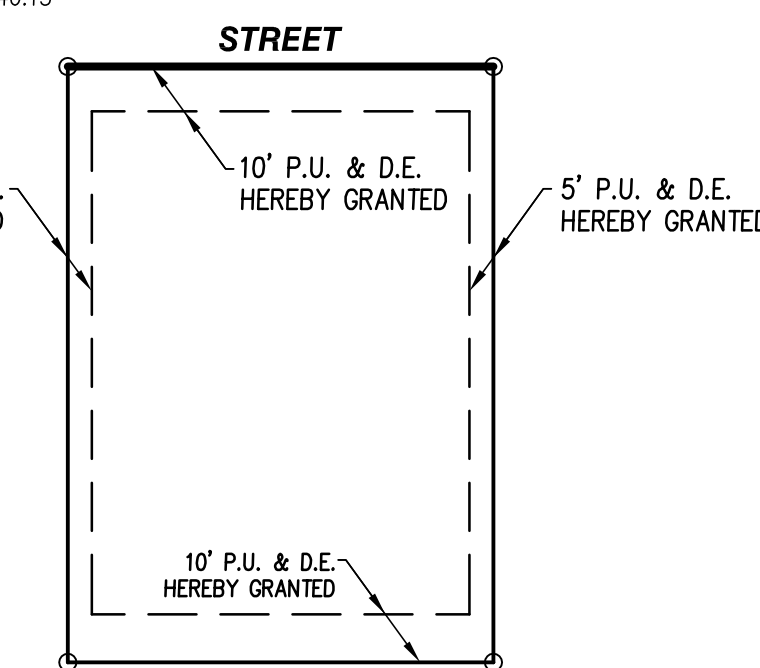
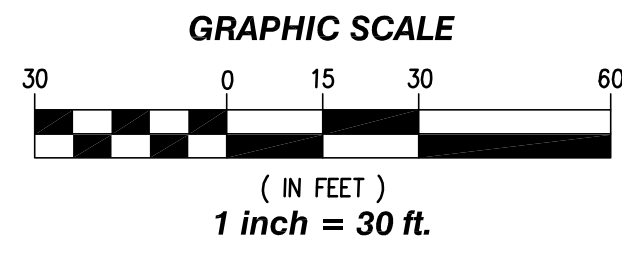
## ATWOOD RESUBDIVISION

BEING A PART OF NORTHEAST QUARTER AND SOUTHEAST QUARTER OF SECTION 20, TOWNSHIP 38 NORTH, RANGE 11 EAST OF THE THIRD PRINCIPAL MERIDIAN, IN DuPAGE COUNTY, ILLINOIS

**LEGEND**

- 0.00' MEASURED DATA
- (0.00') RECORDED DATA
- LIMIT OF SURVEY
- PROPOSED LOT LINE
- EXISTING LOT LINE
- SECTION LINE
- EXISTING RIGHT-OF-WAY LINE
- PROPOSED EASEMENT LINE (HEREBY GRANTED)

- P.U. & D.E. PUBLIC UTILITY AND DRAINAGE EASEMENT
- SET 5/8" DIAMETER x 24" LENGTH IRON ROD
- SET 4" SQUARE x 24" LENGTH CONCRETE MONUMENT
- C1 15.06'
- L1 N 51°15'26" W, 46.66'
- L2 S 51°15'26" E, 46.15'



**TYPICAL LOT EASEMENT DIMENSIONS**  
 PUBLIC UTILITY AND DRAINAGE EASEMENTS (P.U. & D.E.) ARE HEREBY GRANTED PER THIS RESUBDIVISION PLAT AND AS SHOWN HEREON. ALL P.U. & D.E.'S ARE SUBJECT TO THE FOLLOWING DIMENSIONS, UNLESS OTHERWISE NOTED.

**LOT AREA**

|        |   |
|--------|---|
| LOT 1  | ~ 15,119 SQUARE FEET OR 0.347 ACRES +/- |
| LOT 2  | ~ 12,593 SQUARE FEET OR 0.289 ACRES +/- |
| LOT 3  | ~ 12,593 SQUARE FEET OR 0.289 ACRES +/- |
| LOT 4  | ~ 12,593 SQUARE FEET OR 0.289 ACRES +/- |
| LOT 5  | ~ 11,561 SQUARE FEET OR 0.265 ACRES +/- |
| LOT 6  | ~ 13,545 SQUARE FEET OR 0.311 ACRES +/- |
| LOT 7  | ~ 12,705 SQUARE FEET OR 0.292 ACRES +/- |
| LOT 8  | ~ 15,826 SQUARE FEET OR 0.363 ACRES +/- |
| LOT 9  | ~ 11,163 SQUARE FEET OR 0.256 ACRES +/- |
| LOT 10 | ~ 12,000 SQUARE FEET OR 0.275 ACRES +/- |
| LOT 11 | ~ 12,000 SQUARE FEET OR 0.275 ACRES +/- |
| LOT 12 | ~ 12,000 SQUARE FEET OR 0.275 ACRES +/- |
| LOT 13 | ~ 13,265 SQUARE FEET OR 0.305 ACRES +/- |
| LOT 14 | ~ 27,559 SQUARE FEET OR 0.633 ACRES +/- |

- SURVEYOR'S NOTES**
- DIMENSIONS SHOWN THUS: 50.25' ARE FEET AND DECIMAL PARTS THEREOF. ANGULAR DATA SHOWN THUS: 90°00'00" INDICATES DEGREES, MINUTES AND SECONDS.
  - A BLANKET EASEMENT IS HEREBY GRANTED OVER ALL OF LOT 14 IN THIS RESUBDIVISION FOR STORMWATER MANAGEMENT PURPOSES.
  - ALL P.U. & D.E. AND STORMWATER MANAGEMENT EASEMENTS WITHIN THIS SUBDIVISION ARE SUBJECT TO THE RULES AND REGULATIONS AS OUTLINED IN THE DECLARATION OF COVENANTS, CONDITIONS, EASEMENTS AND RESTRICTIONS FOR THE HOMEOWNERS' ASSOCIATION FOR ATWOOD RESUBDIVISION.

### GREENSCAPE VENTURES, LLC

FAIRVIEW AVENUE AT 66TH STREET  
 DOWNERS GROVE, ILLINOIS

| DRAWN BY: JCB      |          | CHECKED BY: KEB                   |  |
|--------------------|----------|-----------------------------------|--|
| SCALE: 1"=30'      |          | DATE: 12/2/11                     |  |
| JOB NUMBER: 11-157 |          | SHEET: 1 OF 2                     |  |
| #                  | DATE     | DESCRIPTION                       |  |
| 1                  | 01/17/12 | REVISE PER VILLAGE LTR DTD 1/9/12 |  |
| 2                  | 02/08/12 | REVISE PER VILLAGE LTD DTD 2/3/12 |  |
| 3                  |          |                                   |  |
| 4                  |          |                                   |  |
| 5                  |          |                                   |  |
| 6                  |          |                                   |  |
| 7                  |          |                                   |  |
| 8                  |          |                                   |  |



**STORMWATER MANAGEMENT PROVISIONS**

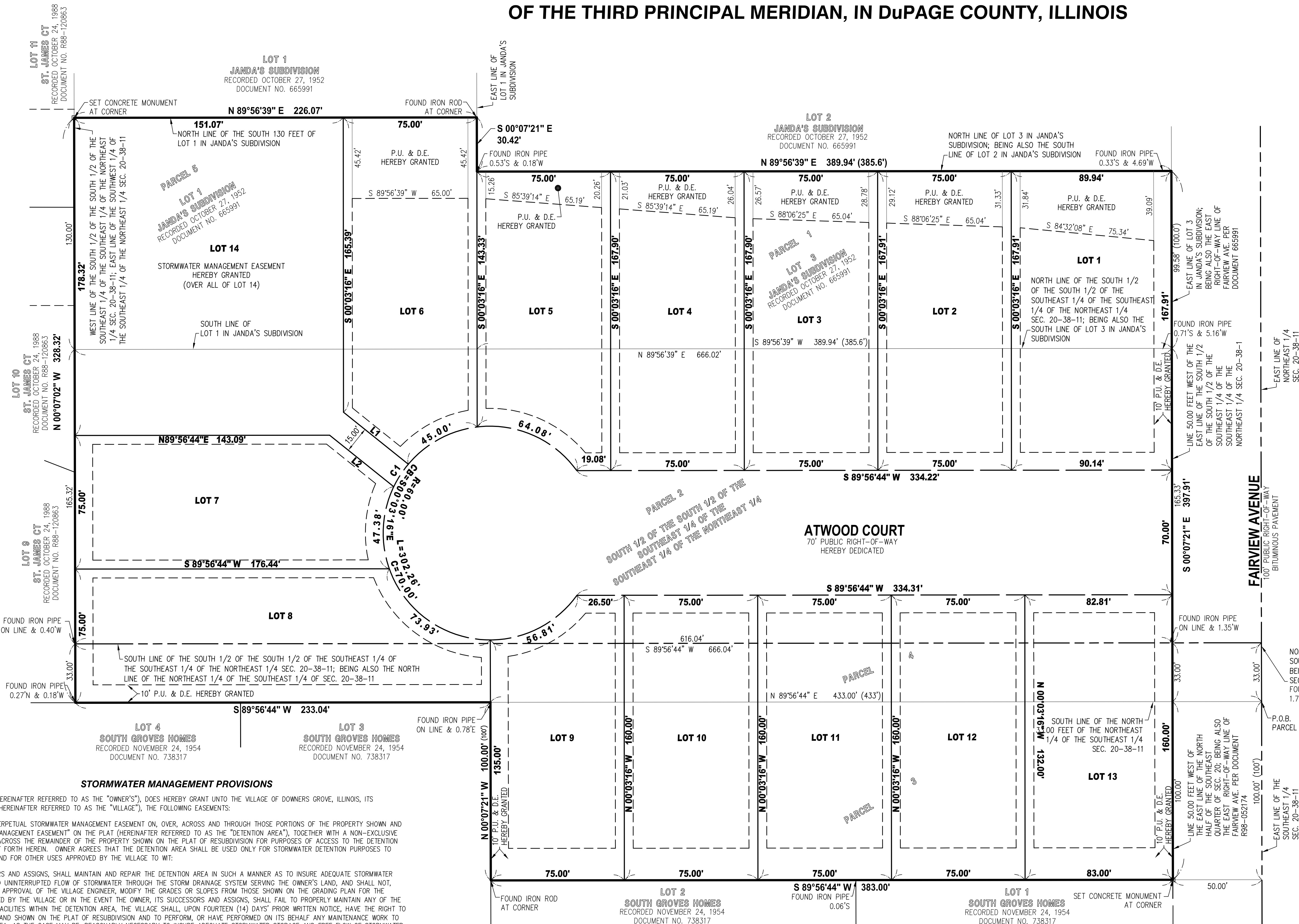
GREENSCAPE HOMES, LLC (HEREINAFTER REFERRED TO AS THE "OWNER'S"), DOES HEREBY GRANT UNTO THE VILLAGE OF DOWNERS GROVE, ILLINOIS, ITS SUCCESSORS AND ASSIGNS (HEREINAFTER REFERRED TO AS THE "VILLAGE"), THE FOLLOWING EASEMENTS:

- A NON-EXCLUSIVE AND PERPETUAL STORMWATER MANAGEMENT EASEMENT ON, OVER, ACROSS AND THROUGH THOSE PORTIONS OF THE PROPERTY SHOWN AND MARKED AS "STORMWATER MANAGEMENT EASEMENT" ON THE PLAT (HEREINAFTER REFERRED TO AS THE "DETENTION AREA"), TOGETHER WITH A NON-EXCLUSIVE AND PERPETUAL EASEMENT ACROSS THE REMAINDER OF THE PROPERTY SHOWN ON THE PLAT OF RESUBDIVISION FOR PURPOSES OF ACCESS TO THE DETENTION AREA FOR THE PURPOSE SET FORTH HEREIN. OWNER AGREES THAT THE DETENTION AREA SHALL BE USED ONLY FOR STORMWATER DETENTION PURPOSES TO SERVE THE OWNER'S LAND AND FOR OTHER USES APPROVED BY THE VILLAGE TO WIT:

THE OWNERS, ITS SUCCESSORS AND ASSIGNS, SHALL MAINTAIN AND REPAIR THE DETENTION AREA IN SUCH A MANNER AS TO INSURE ADEQUATE STORMWATER STORAGE AND THE FREE AND UNINTERRUPTED FLOW OF STORMWATER THROUGH THE STORM DRAINAGE SYSTEM SERVING THE OWNER'S LAND, AND SHALL NOT, WITHOUT THE PRIOR WRITTEN APPROVAL OF THE VILLAGE ENGINEER, MODIFY THE GRADES OR SLOPES FROM THOSE SHOWN ON THE GRADING PLAN FOR THE OWNER'S PROPERTY APPROVED BY THE VILLAGE OR IN THE EVENT THE OWNER, ITS SUCCESSORS AND ASSIGNS, SHALL FAIL TO PROPERLY MAINTAIN ANY OF THE STORMWATER MANAGEMENT FACILITIES WITHIN THE DETENTION AREA, THE VILLAGE SHALL, UPON FOURTEEN (14) DAYS' PRIOR WRITTEN NOTICE, HAVE THE RIGHT TO ENTER UPON THE OWNER'S LAND SHOWN ON THE PLAT OF RESUBDIVISION AND TO PERFORM, OR HAVE PERFORMED ON ITS BEHALF ANY MAINTENANCE WORK TO OR UPON THE DETENTION AREA, AS THE CASE MAY BE, REASONABLY NECESSARY TO INSURE ADEQUATE STORMWATER STORAGE AND FREE FLOW OF STORMWATER THROUGH THE STORM DRAINAGE SYSTEM SERVING THE OWNER'S LAND. AFTER RECEIVING SUCH NOTICE FROM THE VILLAGE, OWNER SHALL FOR TEN (10) DAYS RETAIN THE OPTION OF PERFORMING ANY MAINTENANCE WORK ITSELF. VILLAGE AGREES, BY THE ACCEPTANCE OF THIS EASEMENT THAT IT WILL INDEMNIFY, DEFEND AND HOLD THE OWNER, ITS SUCCESSORS AND ASSIGNS, HARMLESS FROM AND AGAINST ANY AND ALL COSTS, DAMAGES, CLAIMS, EXPENSES, LIABILITIES AND JUDGMENTS (INCLUDING REASONABLY ATTORNEY'S FEES) FOR PROPERTY DAMAGE AND PERSONAL INJURY, INCLUDING DEATH, ARISING OUT OF OR RELATED TO THE VILLAGE'S ACTS AND OMISSIONS PURSUANT TO THIS EASEMENT CONVEYANCE, OWNER, AND ITS SUCCESSORS AND ASSIGNS, RETAINS THE RIGHT TO USE THE EASEMENT PREMISES FOR ANY USE NOT INCONSISTENT WITH THE GRANTING OF THE EASEMENT PREMISES HEREIN.

THE VILLAGE MAY, WITHOUT PRIOR NOTICE, ENTER THE EASEMENT AREA FOR PURPOSES OF INSPECTING THE STORM SEWERS FOR PROPER MAINTENANCE AND COMPLIANCE WITH APPLICABLE WASTE QUALITY REGULATIONS.

© Copyright, 2012 C. M. Lavoie & Associates, Inc.  
 This plan is protected under the copyright laws of the United States of America and foreign countries, and is to be used solely at the discretion of the Owner and C.M. Lavoie & Associates, Inc. Any use of this plan without the permission of the Owner and/or C.M. Lavoie & Associates, Inc., constitutes a violation of C.M. Lavoie & Associates, Inc.'s copyright of this plan and is prohibited.



LOT 11  
 ST. JAMES CT  
 RECORDED OCTOBER 24, 1988  
 DOCUMENT NO. R88-120863

LOT 10  
 ST. JAMES CT  
 RECORDED OCTOBER 24, 1988  
 DOCUMENT NO. R88-120863

LOT 9  
 ST. JAMES CT  
 RECORDED OCTOBER 24, 1988  
 DOCUMENT NO. R88-120863

LOT 14  
 STORMWATER MANAGEMENT EASEMENT HEREBY GRANTED (OVER ALL OF LOT 14)

LOT 13  
 SOUTH GROVES HOMES  
 RECORDED NOVEMBER 24, 1954  
 DOCUMENT NO. 738317

LOT 12  
 SOUTH GROVES HOMES  
 RECORDED NOVEMBER 24, 1954  
 DOCUMENT NO. 738317

LOT 11  
 SOUTH GROVES HOMES  
 RECORDED NOVEMBER 24, 1954  
 DOCUMENT NO. 738317

LOT 10  
 SOUTH GROVES HOMES  
 RECORDED NOVEMBER 24, 1954  
 DOCUMENT NO. 738317

LOT 9  
 SOUTH GROVES HOMES  
 RECORDED NOVEMBER 24, 1954  
 DOCUMENT NO. 738317

LOT 8  
 SOUTH GROVES HOMES  
 RECORDED NOVEMBER 24, 1954  
 DOCUMENT NO. 738317

LOT 7  
 SOUTH GROVES HOMES  
 RECORDED NOVEMBER 24, 1954  
 DOCUMENT NO. 738317

LOT 6  
 SOUTH GROVES HOMES  
 RECORDED NOVEMBER 24, 1954  
 DOCUMENT NO. 738317

LOT 5  
 SOUTH GROVES HOMES  
 RECORDED NOVEMBER 24, 1954  
 DOCUMENT NO. 738317

LOT 4  
 SOUTH GROVES HOMES  
 RECORDED NOVEMBER 24, 1954  
 DOCUMENT NO. 738317

LOT 3  
 SOUTH GROVES HOMES  
 RECORDED NOVEMBER 24, 1954  
 DOCUMENT NO. 738317

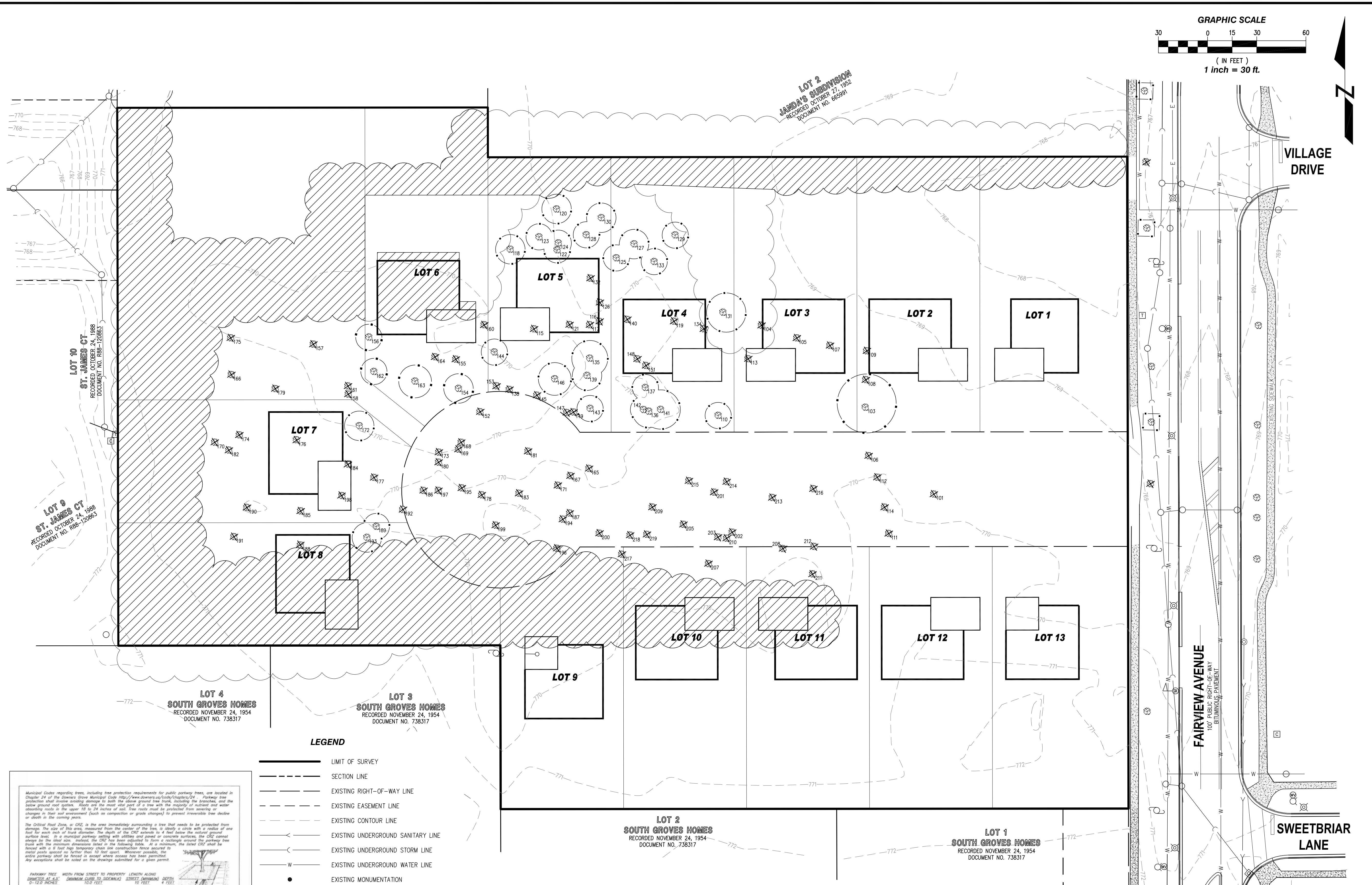
LOT 2  
 SOUTH GROVES HOMES  
 RECORDED NOVEMBER 24, 1954  
 DOCUMENT NO. 738317

LOT 1  
 SOUTH GROVES HOMES  
 RECORDED NOVEMBER 24, 1954  
 DOCUMENT NO. 738317





| Tree Tag No. | Tree Diameter           | Tree Species           | Common Name   | Tree Quality |
|--------------|-------------------------|------------------------|---------------|--------------|
| 101          | 8"                      | Juniperus virginiana   | Juniper       | Fair         |
| 102          | N/A                     | N/A                    | N/A           | N/A          |
| 103          | 19"                     | Acer saccharinum       | Silver Maple  | Poor         |
| 104          | 12"                     | Ulmus pumila           | Siberian Elm  | Poor         |
| 105          | 9"                      | Acer saccharinum       | Silver Maple  | Fair         |
| 106          | 17"                     | Acer saccharinum       | Silver Maple  | Good         |
| 107          | 11"                     | Acer saccharinum       | Silver Maple  | Poor         |
| 108          | 19"                     | Acer saccharinum       | Silver Maple  | Fair         |
| 109          | 18"                     | Acer saccharinum       | Silver Maple  | Poor         |
| 110          | 8"                      | Malus species          | Apple Species | Poor         |
| 111          | 25"                     | Acer saccharinum       | Silver Maple  | Good         |
| 112          | 16"                     | Acer saccharinum       | Silver Maple  | Good         |
| 113          | 25"                     | Acer saccharinum       | Silver Maple  | Fair         |
| 114          | 18"                     | Acer saccharinum       | Silver Maple  | Good         |
| 115          | 14"                     | Ulmus pumila           | Siberian Elm  | Poor         |
| 116          | 8"                      | Ulmus pumila           | Siberian Elm  | Poor         |
| 117          | 13"                     | Ulmus pumila           | Siberian Elm  | Poor         |
| 118          | 9"                      | Ulmus pumila           | Siberian Elm  | Poor         |
| 119          | 15"                     | Acer saccharinum       | Silver Maple  | Poor         |
| 120          | 9"                      | Fraxinus pennsylvanica | Green Ash     | Poor         |
| 121          | 8"                      | Ulmus pumila           | Siberian Elm  | Poor         |
| 122          | 8"                      | Ulmus pumila           | Siberian Elm  | Poor         |
| 123          | 8"                      | Ulmus pumila           | Siberian Elm  | Poor         |
| 124          | 8"                      | Ulmus pumila           | Siberian Elm  | Poor         |
| 125          | 8"                      | Ulmus pumila           | Siberian Elm  | Poor         |
| 126          | 9"                      | Ulmus pumila           | Siberian Elm  | Poor         |
| 127          | 9"                      | Ulmus pumila           | Siberian Elm  | Poor         |
| 128          | 8"                      | Ulmus pumila           | Siberian Elm  | Poor         |
| 129          | 8"                      | Ulmus pumila           | Siberian Elm  | Poor         |
| 130          | 9"                      | Ulmus pumila           | Siberian Elm  | Poor         |
| 131          | 12"                     | Acer saccharinum       | Silver Maple  | Poor         |
| 132          | 9"                      | Fraxinus pennsylvanica | Green Ash     | Poor         |
| 133          | 8"                      | Ulmus pumila           | Siberian Elm  | Poor         |
| 134          | 10"                     | Ulmus pumila           | Siberian Elm  | Poor         |
| 135          | 11"                     | Ulmus pumila           | Siberian Elm  | Poor         |
| 136          | 10"                     | Ulmus pumila           | Siberian Elm  | Poor         |
| 137          | 8"                      | Ulmus pumila           | Siberian Elm  | Poor         |
| 138          | 12"                     | Acer saccharinum       | Silver Maple  | Fair         |
| 139          | 9"                      | Ulmus pumila           | Siberian Elm  | Poor         |
| 140          | 16"                     | Acer saccharinum       | Silver Maple  | Poor         |
| 141          | 12"                     | Ulmus pumila           | Siberian Elm  | Poor         |
| 142          | 8"                      | Ulmus pumila           | Siberian Elm  | Poor         |
| 143          | 6" and 8"               | Ulmus pumila           | Siberian Elm  | Poor         |
| 144          | 8"                      | Ulmus pumila           | Siberian Elm  | Poor         |
| 145          | 15"                     | Ulmus pumila           | Siberian Elm  | Poor         |
| 146          | 10"                     | Ulmus pumila           | Siberian Elm  | Poor         |
| 147          | 8"                      | Acer saccharinum       | Silver Maple  | Fair         |
| 148          | 10"                     | Ulmus pumila           | Siberian Elm  | Poor         |
| 149          | 11"                     | Ulmus pumila           | Siberian Elm  | Poor         |
| 150          | N/A                     | N/A                    | N/A           | N/A          |
| 151          | 8"                      | Ulmus pumila           | Siberian Elm  | Poor         |
| 152          | 15"                     | Acer saccharinum       | Silver Maple  | Poor         |
| 153          | 8"                      | Fraxinus pennsylvanica | Green Ash     | Poor         |
| 154          | 9"                      | Ulmus pumila           | Siberian Elm  | Poor         |
| 155          | 8"                      | Fraxinus pennsylvanica | Green Ash     | Poor         |
| 156          | 8"                      | Ulmus pumila           | Siberian Elm  | Poor         |
| 157          | 13"                     | Ulmus pumila           | Siberian Elm  | Poor         |
| 158          | 11"                     | Ulmus pumila           | Siberian Elm  | Poor         |
| 159          | 10"                     | Ulmus pumila           | Siberian Elm  | Poor         |
| 160          | 9"                      | Ulmus pumila           | Siberian Elm  | Poor         |
| 161          | 10"                     | Ulmus pumila           | Siberian Elm  | Poor         |
| 162          | 8"                      | Ulmus pumila           | Siberian Elm  | Poor         |
| 163          | 10"                     | Ulmus pumila           | Siberian Elm  | Poor         |
| 164          | 8", 8", 6", 8", 6" & 9" | Acer saccharinum       | Silver Maple  | Poor         |
| 165          | 12"                     | Ulmus pumila           | Siberian Elm  | Poor         |
| 166          | 14"                     | Acer saccharinum       | Silver Maple  | Fair         |
| 167          | 8"                      | Ulmus americana        | American Elm  | Good         |
| 168          | 9"                      | Acer saccharinum       | Silver Maple  | Poor         |
| 169          | 9"                      | Acer saccharinum       | Silver Maple  | Fair         |
| 170          | 8"                      | Acer saccharinum       | Silver Maple  | Fair         |
| 171          | 8"                      | Ulmus americana        | American Elm  | Fair         |
| 172          | 9"                      | Fraxinus pennsylvanica | Green Ash     | Poor         |
| 173          | 8"                      | Ulmus pumila           | Siberian Elm  | Poor         |
| 174          | 15"                     | Ulmus pumila           | Siberian Elm  | Poor         |
| 175          | 8"                      | Fraxinus pennsylvanica | Green Ash     | Poor         |
| 176          | 8"                      | Ulmus pumila           | Siberian Elm  | Poor         |
| 177          | 17"                     | Acer saccharinum       | Silver Maple  | Fair         |
| 178          | 12"                     | Acer saccharinum       | Silver Maple  | Fair         |
| 179          | 8"                      | Ulmus pumila           | Siberian Elm  | Poor         |
| 180          | 8"                      | Ulmus pumila           | Siberian Elm  | Poor         |
| 181          | 18"                     | Acer saccharinum       | Silver Maple  | Fair         |
| 182          | 12"                     | Ulmus pumila           | Siberian Elm  | Poor         |
| 183          | 10"                     | Acer saccharinum       | Silver Maple  | Fair         |
| 184          | 11"                     | Ulmus pumila           | Siberian Elm  | Poor         |
| 185          | 8"                      | Ulmus pumila           | Siberian Elm  | Poor         |
| 186          | 10"                     | Acer saccharinum       | Silver Maple  | Poor         |
| 187          | 9"                      | Fraxinus pennsylvanica | Green Ash     | Fair         |
| 188          | 15"                     | Fraxinus pennsylvanica | Green Ash     | Poor         |
| 189          | 8"                      | Ulmus pumila           | Siberian Elm  | Poor         |
| 190          | 8"                      | Fraxinus pennsylvanica | Green Ash     | Poor         |
| 191          | 8"                      | Fraxinus pennsylvanica | Green Ash     | Poor         |
| 192          | 8"                      | Fraxinus pennsylvanica | Green Ash     | Poor         |
| 193          | 9"                      | Fraxinus pennsylvanica | Green Ash     | Poor         |
| 194          | 10"                     | Acer saccharinum       | Silver Maple  | Fair         |
| 195          | 9"                      | Fraxinus pennsylvanica | Green Ash     | Poor         |
| 196          | 8"                      | Acer saccharinum       | Silver Maple  | Fair         |
| 197          | 9"                      | Fraxinus pennsylvanica | Green Ash     | Poor         |
| 198          | 15"                     | Acer saccharinum       | Silver Maple  | Fair         |
| 199          | 11"                     | Acer saccharinum       | Silver Maple  | Good         |
| 200          | 14"                     | Acer saccharinum       | Silver Maple  | Fair         |
| 201          | 11"                     | Fraxinus pennsylvanica | Green Ash     | Poor         |
| 202          | 9"                      | Ulmus pumila           | Siberian Elm  | Poor         |
| 203          | 8"                      | Ulmus americana        | American Elm  | Fair         |
| 204          | N/A                     | N/A                    | N/A           | N/A          |
| 205          | 12"                     | Acer saccharinum       | Silver Maple  | Good         |
| 206          | N/A                     | N/A                    | N/A           | N/A          |
| 207          | 9"                      | Acer saccharinum       | Silver Maple  | Fair         |
| 208          | 8"                      | Ulmus pumila           | Siberian Elm  | Poor         |
| 209          | 11"                     | Fraxinus pennsylvanica | Green Ash     | Poor         |
| 210          | 11"                     | Ulmus americana        | American Elm  | Fair         |
| 211          | 10"                     | Ulmus pumila           | Siberian Elm  | Poor         |
| 212          | 9"                      | Acer saccharinum       | Silver Maple  | Good         |
| 213          | 11"                     | Acer saccharinum       | Silver Maple  | Poor         |
| 214          | 8"                      | Acer saccharinum       | Silver Maple  | Poor         |
| 215          | 11"                     | Acer saccharinum       | Silver Maple  | Poor         |
| 216          | 13"                     | Ulmus americana        | American Elm  | Good         |
| 217          | 11"                     | Acer saccharinum       | Silver Maple  | Fair         |
| 218          | 11"                     | Acer saccharinum       | Silver Maple  | Fair         |
| 219          | 9"                      | Acer saccharinum       | Silver Maple  | Fair         |



**Municipal Codes regarding trees, including tree protection requirements for public roadway trees, are located in Chapter 24 of the Downers Grove Municipal Code.**

**CRITICAL TREE ZONE (CTZ) -** The CTZ is the area immediately surrounding a tree that needs to be protected from damage. The CTZ is measured from the center of the tree, in a circle with a radius of one foot for every inch of trunk diameter. The CTZ extends to a four-foot radius from the trunk of the tree. In a municipal parking setting with utility and power or concrete structures, the CTZ cannot extend to the utility lines. The CTZ has been established for trees in a roadway along the roadway tree line with the minimum dimensions listed in the following table. At a minimum, the listed CTZ shall be fenced with a 4-foot high temporary chain-link fence around the tree. The fence shall be placed at least 10 feet from the tree trunk and shall be maintained daily or more frequently. Any exceptions shall be noted on the drawings submitted for a plan permit.

| Tree Diameter | Minimum CTZ Radius | Minimum CTZ Diameter |
|---------------|--------------------|----------------------|
| 10.0 inches   | 10.0 feet          | 20.0 feet            |
| 12.0 inches   | 12.0 feet          | 24.0 feet            |
| 14.0 inches   | 14.0 feet          | 28.0 feet            |
| 16.0 inches   | 16.0 feet          | 32.0 feet            |
| 18.0 inches   | 18.0 feet          | 36.0 feet            |
| 20.0 inches   | 20.0 feet          | 40.0 feet            |

**For public roadway trees, trees located within the determined CTZ shall be protected from excavation, grading, and the storage of materials or equipment. Utilities must be dug up underneath the tree or above them. In cases where excavation of roots within a portion of the CTZ may be unavoidable (i.e., sidewalk installation, curb replacement, water main or sanitary main, etc.), the contractor shall be required to submit a plan permit to the City of Downers Grove. The plan permit shall be submitted and signed prior to the start of work. The plan permit shall be submitted and signed prior to the start of work. The plan permit shall be submitted and signed prior to the start of work.**

**For trees and shrubs that may be removed for violations of any Chapter 24 municipal code (such as the tree removal code), the contractor shall be required to submit a plan permit to the City of Downers Grove. The plan permit shall be submitted and signed prior to the start of work. The plan permit shall be submitted and signed prior to the start of work.**

**For more information, contact the Forestry Division at 434-5475 or 434-5476.**

**PARKWAY TREE PROTECTION REQUIREMENTS**

DATE: 05/20/21  
DRAWN BY: J.M.L.  
APPROVED BY: M.D.M.

© Copyright, 2012 C. M. Lavoie & Associates, Inc.  
This plan is protected under the copyright laws of the United States of America and foreign countries, and is to be used solely at the discretion of the Owner and C.M. Lavoie & Associates, Inc. Any use of this plan without the permission of the Owner and/or C.M. Lavoie & Associates, Inc., constitutes a violation of C.M. Lavoie & Associates, Inc.'s copyright of this plan and is prohibited.

**GREENSCAPE VENTURES, LLC**  
6618, 6622, 6650 AND 6700 FAIRVIEW AVENUE  
DOWNERS GROVE, ILLINOIS

**EX07 - TREE REMOVAL PLAN**

DRAWN BY: TCB  
SCALE: 1"=30'  
JOB NUMBER: 11-157

CHECKED BY: TRH  
DATE: 10/26/11  
SHEET: 1 OF 1

**C.M. Lavoie & Associates, INC.**  
Consulting Civil Engineering  
Land Planning & Surveying  
1050 State Route 126  
Plainfield, Illinois 60544  
voice 815-254-0505  
fax 815-436-5158

| # | DATE       | DESCRIPTION         |
|---|------------|---------------------|
| 1 | 01/16/2012 | REVISED PER VILLAGE |
| 2 | 02/08/2012 | REVISED PER VILLAGE |
| 3 |            |                     |
| 4 |            |                     |
| 5 |            |                     |
| 6 |            |                     |
| 7 |            |                     |
| 8 |            |                     |

**BENCHMARK**  
DUPAGE COUNTY BENCHMARK:  
D6067001 - BRONZE DISK IN CONCRETE BASE OF  
TRAFFIC CONTROL BOX AT THE NORTHWEST CORNER  
OF MAPLE AVENUE AND 55TH STREET.  
ELEVATION...743.51' NGVD29



PROPOSED SITE IMPROVEMENTS  
FOR  
**ATWOOD SUBDIVISION**

FAIRVIEW AVENUE BETWEEN 66TH STREET AND 67TH COURT  
DOWNERS GROVE, ILLINOIS

INDEX OF PLAN SHEETS

1. COVER
2. GENERAL NOTES
- 3-5. DETAILS
6. EXISTING CONDITIONS AND DEMOLITION PLAN
7. GEOMETRY PLAN
8. GRADING PLAN
9. UTILITY PLAN
- 10-11. PLAN AND PROFILES
12. SWPPP

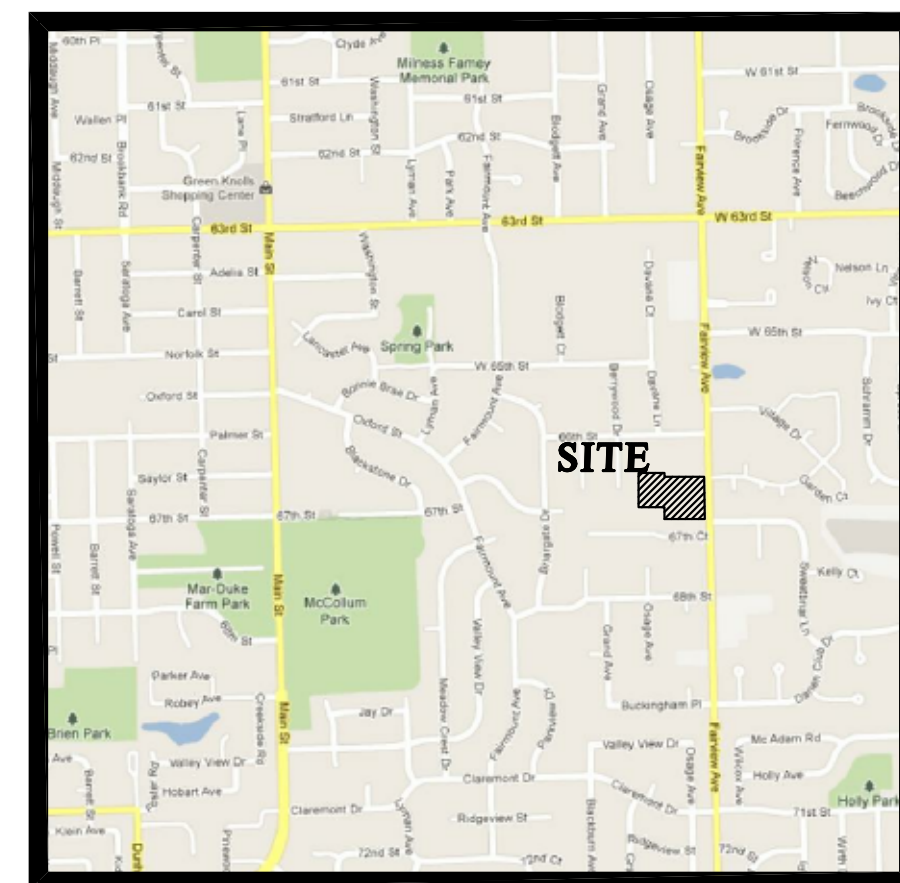
NGS BENCHMARKS

DUPAGE COUNTY BENCHMARK:  
DGN07001 - BRONZE DISK IN CONCRETE BASE OF  
TRAFFIC CONTROL BOX AT THE NORTHWEST CORNER  
OF MAPLE AVENUE AND 55TH STREET.  
ELEVATION 743.5' NGVD29

LEGAL DESCRIPTION

BEING A PART OF NORTHEAST QUARTER AND SOUTHEAST  
QUARTER OF SECTION 20, TOWNSHIP 38 NORTH, RANGE 11  
EAST OF THE THIRD PRINCIPAL MERIDIAN, IN DuPAGE  
COUNTY, ILLINOIS

2012



SITE LOCATION

PLANS PREPARED FOR:

GREENSCAPE HOMES, LLC  
4355 WEAVER PARKWAY, SUITE 120  
WARRENVILLE, ILLINOIS 60555

PLANS PREPARED BY:

**C.M.**  
C.M. Lavoie  
& Associates, Inc.

Consulting Civil Engineering  
Land Planning & Surveying  
1050 State Route 126  
Plainfield, Illinois 60544  
voice 815-254-0505  
fax 815-436-5158

LEGEND

|            |                               |
|------------|-------------------------------|
| ◄          | PROPOSED FLARED END SECTION   |
| △          | EXISTING FLARED END SECTION   |
| ⊙          | PROPOSED STORM MANHOLE        |
| ⊙          | EXISTING STORM MANHOLE        |
| ◻          | PROPOSED INLET                |
| ◻          | EXISTING INLET                |
| ●          | PROPOSED FIRE HYDRANT         |
| ○          | EXISTING FIRE HYDRANT         |
| ⊙          | PROPOSED VALVE AND VAULT      |
| ⊙          | EXISTING VALVE AND VAULT      |
| ●          | PROPOSED CATCH BASIN          |
| ○          | EXISTING CATCH BASIN          |
| ⊙          | PROPOSED SANITARY MANHOLE     |
| ⊙          | EXISTING SANITARY MANHOLE     |
| ●          | PROPOSED VALVE BOX            |
| ○          | EXISTING VALVE BOX            |
| — s'w —    | PROPOSED WATERMAIN            |
| — s'w —    | EXISTING WATERMAIN            |
| — >—       | PROPOSED SANITARY SEWER       |
| — >—       | EXISTING SANITARY SEWER       |
| — >—       | PROPOSED STORM SEWER          |
| — >—       | EXISTING STORM SEWER          |
| —HWL—      | HIGH WATER LEVEL              |
| —NWL—      | NORMAL WATER LEVEL            |
| ---6.32--- | EXISTING CONTOUR              |
| ---6.32--- | PROPOSED CONTOUR              |
| --- ---    | PROPOSED SILT FENCE           |
| --- ---    | STRAW BALES                   |
| →          | EMERGENCY FLOOD ROUTE         |
| ▨          | STORMWATER INFILTRATION SWALE |

CURRENT REVISION DATE: \_\_\_\_\_

I, TIMOTHY R. HEJNY, A REGISTERED PROFESSIONAL ENGINEER OF ILLINOIS, HEREBY CERTIFY THAT THESE PLANS HAVE BEEN PREPARED BY C.M. LAVOIE AND ASSOCIATES, INC. UNDER MY PERSONAL DIRECTION.

ILLINOIS PROFESSIONAL ENGINEER NO.  
0062-059133

EXPIRES 11/30/13

PROJECT NUMBER: 11-157

© Copyright, 2012 C. M. Lavoie & Associates, Inc.  
These plans are protected under the copyright laws of the United States and foreign countries, and are to be used only for the construction and/or repair of the Site Improvements as defined in the contract between the Engineer and the Owner. Any use of these plans, including details and specifications, to construct and/or repair additional items not described in these plans, constitutes a violation of the Engineer's copyright of these plans and is prohibited.





## GENERAL NOTES

1. PRIOR TO COMMENCEMENT OF CONSTRUCTION, THE CONTRACTOR SHALL VERIFY ALL DIMENSIONS, AND CONDITIONS AFFECTING THEIR WORK WITH THE ACTUAL CONDITIONS AT THE JOB SITE. IN ADDITION, THE CONTRACTOR MUST VERIFY THE LINE AND GRADES. IF THERE ARE ANY DISCREPANCIES FROM WHAT IS SHOWN ON THE CONSTRUCTION PLANS, STANDARD SPECIFICATIONS AND/OR SPECIAL DETAILS, THE CONTRACTOR SHALL SECURE WRITTEN INSTRUCTION FROM THE ENGINEER PRIOR TO PROCEEDING WITH ANY PART OF THE WORK AFFECTED BY OMISSION OR DISCREPANCIES. FAILING TO SECURE SUCH INSTRUCTION, THE CONTRACTOR WILL BE CONSIDERED TO HAVE PROCEEDED AT HIS OWN RISK AND EXPENSE. IN THE EVENT OF ANY DOUBT OR QUESTION ARISING WITH RESPECT TO THE TRUE MEANING OF THE CONSTRUCTION PLANS OR SPECIFICATIONS, THE DECISION OF THE ENGINEER SHALL BE FINAL AND CONCLUSIVE.

2. THE STANDARD SPECIFICATIONS, CONSTRUCTION PLANS, AND SUBSEQUENT DETAILS ARE ALL TO BE CONSIDERED AS PART OF THE CONTRACT. INCIDENTAL ITEMS OR ACCESSORIES NECESSARY TO COMPLETE THIS WORK MAY NOT BE SPECIFICALLY NOTED BUT ARE TO BE CONSIDERED PART OF THE CONTRACT.

3. THE CONTRACTORS FOR ALL CONTRACTS SHALL NOTIFY JULLIE, THE SANITARY DISTRICT, AND ANY APPLICABLE ENGINEERING OR BUILDING DEPARTMENTS TWO (2) WORKING DAYS MINIMUM PRIOR TO START OF WORK. AS REQUIRED, THE UTILITY COMPANIES WILL ESTABLISH ON THE GROUND, THE LOCATION OF UNDERGROUND PIPES, CONDUITS OR CABLES ADJOINING OR CROSSING PROPOSED CONSTRUCTION.

4. IT IS THE CONTRACTOR'S RESPONSIBILITY THAT UNDERGROUND CONSTRUCTION SHALL COMPLY WITH "THE STANDARD SPECIFICATIONS FOR ROAD AND SEWER MAIN CONSTRUCTION IN ILLINOIS," ADOPTED JULY 2009 OR LATEST REVISION.

5. ALL EXCAVATION WORK SHALL COMPLY WITH THE ILLINOIS DEPARTMENT OF TRANSPORTATION "SPECIFICATIONS FOR ROAD AND BRIDGE CONSTRUCTION," ADOPTED JANUARY 1, 2012 OR LATEST REVISION.

6. THE CONTRACTOR SHALL INDEMNIFY THE OWNER, THE ENGINEER, THE VILLAGE, CITY AND THEIR AGENTS FROM ALL LIABILITY INVOLVED IN THE CONSTRUCTION, INSTALLATION AND TESTING OF THE WORK ON THIS PROJECT.

7. WHEN A CONFLICT BETWEEN PLANS AND SPECIFICATIONS OR NOTES OCCURS, THE ENGINEER SHALL DECIDE WHICH GOVERNS. GENERALLY, THE MORE RESTRICTIVE, MORE SPECIFIC OR STRICTER PROVISION SHALL GOVERN.

8. THE CONTRACTOR IS RESPONSIBLE FOR RETURNING ALL AREAS AFFECTED BY EQUIPMENT OR LABORERS TO EXISTING CONDITIONS. CONTRACTOR IS ALSO RESPONSIBLE FOR PROTECTING ALL NEW WORK UNTIL COMPLETION OR THIS CONTRACT.

9. THE CONTRACTOR SHALL BE RESPONSIBLE FOR CLEANING ANY ROAD OR MATERIAL THAT IS FROM THE PROJECT. THE CONTRACTOR SHALL CLEAN THE STREETS ON A DAILY BASIS. THIS WILL BE DONE AT THE CLOSE OF EACH DAY OF WORK OR MORE FREQUENTLY AS MAY BE REQUIRED DUE TO FIELD CONDITIONS.

10. THE CONTRACTOR IS TO VERIFY ALL ELEVATIONS PRIOR TO THE START OF WORK AND, IF THERE ARE ANY DISCREPANCIES IS TO NOTIFY THE DESIGN ENGINEER AT ONCE. NO WORK SHALL BE DONE UNTIL THE DISCREPANCIES ARE RESOLVED.

11. THE CONTRACTOR IS RESPONSIBLE FOR THE TRAFFIC CONTROL AND PROTECTION OF ALL WORK CONDUCTED WITHIN PUBLIC RIGHT-OF-WAYS, TRAFFIC CONTROL AND PROTECTION SHALL BE IN ACCORDANCE WITH THE APPLICABLE ARTICLES OF SECTION 100 AND 700 OF THE "STANDARD SPECIFICATIONS FOR ROAD AND BRIDGE CONSTRUCTION" ADOPTED JANUARY 1, 2012, AND THE LATEST EDITION OF THE "ILLINOIS MANUAL ON UNIFORM TRAFFIC CONTROL DEVICES FOR STREETS AND HIGHWAYS".

12. WHENEVER, DURING CONSTRUCTION OPERATIONS, ANY LOOSE MATERIAL IS DEPOSITED IN THE FLOW LINE OF OUTLETS, DRAINAGE STREETS, DITCHES, ETC. SUCH THAT THE NATURAL FLOW LINE OF WATER IS OBSTRUCTED, THE LOOSE MATERIAL WILL BE REMOVED AT THE CLOSE OF EACH WORKING DAY. AT THE CONCLUSION OF CONSTRUCTION OPERATIONS, ALL DRAINAGE STRUCTURES AND FLOW LINES SHALL BE FREE FROM DIRT AND DEBRIS. THIS WORK SHALL BE CONSIDERED INCIDENTAL TO THE CONTRACT.

13. THE CONTRACTOR SHALL BE RESPONSIBLE FOR THE INSTALLATION AND MAINTENANCE OF ADEQUATE SIGNS, TRAFFIC CONTROL DEVICES, AND WARNING DEVICES TO INFORM AND PROTECT THE PUBLIC DURING ALL PHASES OF CONSTRUCTION. ALL SAFETY REQUIREMENTS PROVIDED BY THE VILLAGE/CITY/AND/OR OSHA SHALL BE ADHERED TO BY THE CONTRACTOR DURING CONSTRUCTION OPERATIONS.

14. DURING CONSTRUCTION OPERATIONS THE CONTRACTOR SHALL INSURE POSITIVE SITE DRAINAGE AT THE CONCLUSION OF EACH DAY. SITE DRAINAGE MAY BE ACHIEVED BY DITCHING, PUMPING, OR ANY OTHER METHOD ACCEPTABLE TO THE ENGINEER. THE CONTRACTOR'S FAILURE TO PROVIDE THE ABOVE WILL PRECLUDE ANY POSSIBLE ADDED COMPENSATION REQUESTED DUE TO DELAYS OR UNSUITABLE MATERIALS CREATED AS A RESULT THEREOF.

15. ALL CONSTRUCTION WILL BE INSPECTED BY THE VILLAGE/CITY ENGINEER OR HIS REPRESENTATIVE. SPECIFICALLY ALL TRENCHES AND SEWERS SHALL BE LEFT OPEN BUT SAFELY BARRICADED UNTIL INSPECTED AND APPROVED BY THE VILLAGE/CITY ENGINEER. PAVEMENT SUBBASE, BASE, AND SURFACE MUST EACH BE INSPECTED BY THE ENGINEER PRIOR TO THE NEXT PHASE. PROOF ROLLING AND NUCLEAR DENSITY TESTING WILL BE UTILIZED.

16. THE LOCATION OF EXISTING UNDERGROUND UTILITIES ARE SHOWN IN AN APPROXIMATE WAY ONLY AND HAVE NOT BEEN INDEPENDENTLY VERIFIED BY THE OWNER OR HIS REPRESENTATIVE. THE CONTRACTOR SHALL DETERMINE THE EXACT LOCATION OF ALL EXISTING UTILITIES BEFORE COMMENCING WORK, AND AGREES TO BE FULLY RESPONSIBLE FOR ANY AND ALL DAMAGES WHICH MIGHT BE OCCASIONED BY THE CONTRACTOR'S FAILURE TO EXACTLY LOCATE AND PRESERVE ANY AND ALL UNDERGROUND UTILITIES.

17. THE CONTRACTOR IS TO VERIFY ALL FIELD CONDITIONS, PROPOSED IMPROVEMENTS, AND ELEVATIONS PRIOR TO THE START OF WORK AND, IF THERE ARE ANY DISCREPANCIES, IS TO NOTIFY THE DESIGN ENGINEER AT ONCE. NO WORK SHALL BE DONE UNTIL THE DISCREPANCIES ARE RESOLVED.

18. ALL SHRUBS, TOPSOIL, OR EXCAVATION MATERIAL AND ANY OTHER UNSUITABLE MATERIAL SHALL BE REMOVED AND DISPOSED OF AT AN OFF-SITE LOCATION. AREAS WHICH ARE TO BE FILLED SHALL BE COMPACTED TO A MAXIMUM DENSITY OF 95% AS DETERMINED BY THE MODIFIED AASHTO COMPACTION TEST, T-180-74, (ASTM-D-1557) IN PAVED AREAS. THE OWNER'S SOILS ENGINEER SHALL EVALUATE AND APPROVE THE EXCAVATION, FILL PLACEMENT, AND COMPACTION PRIOR TO PAVEMENT CONSTRUCTION. THE CONTRACTOR SHALL GIVE THE GOVERNING AUTHORITIES HAVING JURISDICTION OVER THE WORK FORTY-EIGHT (48) HOURS NOTICE BEFORE WORK COMMENCES.

19. ANY WATER AND WASTEWATER UTILITIES AFFECTED BY CONSTRUCTION, INCLUDING GRASSES, MUST BE BROUGHT TO CURRENT VILLAGE OR CITY STANDARDS AT THE CONTRACTOR'S EXPENSE.

20. EXISTING UTILITIES, TREES, STREETS, AND PRIVATE PROPERTY SHALL BE PROTECTED DURING CONSTRUCTION BY THE CONTRACTOR. ANY DAMAGES SHALL BE REPAIRED AT THE CONTRACTOR'S EXPENSE.

21. THE CONTRACTOR SHALL PROVIDE EROSION AND SEDIMENTATION CONTROL AT AREAS DESIGNATED ON THE SITE PLAN. ADDITIONAL MEASURES SHALL BE PROVIDED AS DEMAND NECESSARY BY THE VILLAGE, CITY OR THE DESIGN ENGINEER AT CONTRACTOR'S EXPENSE.

22. ALL HANDICAP PROVISIONS SHALL BE IN ACCORDANCE WITH THE "AMERICAN DISABILITIES ACT" (ADA) DATED SEPTEMBER 15, 2010 OR LATEST REVISION.

23. THE CONTRACTOR IS RESPONSIBLE FOR EXAMINATION OF THE ENGINEERING PLANS AND SPECIFICATIONS AND THE EXISTING SITE CONDITIONS PRIOR TO SUBMITTING A BID, AND NOTIFYING THE ENGINEER AT ONCE OF ANY DISCREPANCIES.

24. THE CONTRACTOR IS RESPONSIBLE FOR THE OBTAINING OF ANY NECESSARY PERMITS NOT PREVIOUSLY APPLIED FOR BY THE OWNER AND POSTING OF THE NECESSARY BONDS.

25. THE CONTRACTOR IS RESPONSIBLE FOR THE NOTIFICATION OF THE START OF CONSTRUCTION TO ALL JURISDICTIONAL AGENCIES, UTILITY COMPANIES, AND THE ENGINEER, AT LEAST TWO (2) WORKING DAYS PRIOR TO SAID START. ALL EXISTING UTILITIES MUST BE STAKED PRIOR TO CONSTRUCTION. VILLAGE OR CITY ENGINEERING DIVISION SHALL BE NOTIFIED 48 HRS. IN ADVANCE.

26. THE CONTRACTOR IS RESPONSIBLE FOR CALLING ATTENTION TO THE OWNER OF ANY ERRORS OR DISCREPANCIES WHICH MAY BE SUSPECTED IN LINES AND GRADES WHICH ARE ESTABLISHED BY THE OWNER. THE CONTRACTOR SHALL NOT PROCEED WITH THE WORK UNTIL THE LINES AND GRADES, WHICH ARE BELIEVED TO BE IN ERROR, HAVE BEEN VERIFIED OR CORRECTED BY THE OWNER. ADDITIONAL STAKING THAT MAY BE REQUIRED DUE TO THE CONTRACTOR NEGLIGENCE, SHALL BE PAID FOR BY THE CONTRACTOR.

27. THE CONTRACTOR SHALL PROVIDE AND MAINTAIN A SAFE AND HEALTHFUL WORKING CONDITION THROUGHOUT THE PROGRESSION OF THE CONSTRUCTION WORK. THIS SHALL INCLUDE, BUT NOT BE LIMITED TO: THE REMOVAL OF DEBRIS, THE PROTECTING OF CONSTRUCTION BARRICADES, AND THE KEEPING OF PUBLIC STREET PAVEMENTS CLEAN OF CONSTRUCTION DIRT AND DEBRIS, SECURING OPEN EXCAVATIONS, AND FOLLOWING ALL SAFETY MEASURES REQUIRED BY THE GOVERNING AUTHORITIES.

28. THE CONTRACTOR IS RESPONSIBLE FOR THE RESTORATION TO THE ORIGINAL CONDITION OR BETTER OF ANY OFF SITE AREAS THAT ARE DAMAGED BY THE CONTRACTOR DURING CONSTRUCTION.

29. THE CONTRACTOR IS RESPONSIBLE FOR THE TESTING OF MATERIALS, IF REQUIRED BY THE OWNER AND/OR THE JURISDICTIONAL AGENCIES.

30. THE CONTRACTOR IS RESPONSIBLE FOR THE GUARANTEE OF ALL MATERIALS AND WORKMANSHIP FOR A PERIOD OF ONE (1) YEAR UPON FINAL ACCEPTANCE BY THE OWNER AND THE JURISDICTIONAL AGENCIES.

31. ALL LANDSCAPE, SOO AND SEEDING AREAS SHALL RECEIVE A MINIMUM OF 6 INCHES OF TOPSOIL TO ACHIEVE THE FINAL GRASSES SHOWN ON THE FINAL ENGINEERING PLANS.

32. UNSUITABLE MATERIAL SHALL BE CONSIDERED AS MATERIAL WHICH IS NOT SUITABLE FOR THE SUPPORT OF PAVEMENT, BUILDING, AND/OR LOAD BEARING STRUCTURES AS DETERMINED BY THE SOILS ENGINEER. THE DECISION TO REMOVE AND TRANSPORT, AND TO WHAT EXTENT, SHALL BE MADE BY A SOILS ENGINEER WITH THE CONCURRENCE OF THE OWNER.

33. THE QUANTITIES AS SHOWN IN THE ENGINEER'S "QUANTITY ESTIMATE" ARE THOSE ESTIMATED BY THE ENGINEER AS NECESSARY FOR THE CONVENIENCE OF HIS "LUMP SUM" BID, ALSO ACCEPTS THEIR ACCURACY. THE CONTRACTOR IS THEREFORE ENCOURAGED TO MAKE HIS OWN INDEPENDENT EARTHWORK CALCULATION, AND TO VISIT THE SITE PRIOR TO THE PREPARATION OF HIS BID.

34. CONDUIT TO BE PROVIDED UNDER PAVEMENT FOR ALL SERVICE UTILITIES SUCH AS, BUT NOT LIMITED TO GAS, ELECTRIC, TELEPHONE, AND CABLE AS DEEMED NECESSARY BY THE OWNER. ALL CONDUIT SHALL MEET UTILITY COMPANY SPECIFICATIONS. CONDUIT SHOWING A LOSS IS APPROVED IN SIZE AND LOCATION. ALL SPECIFICATIONS SHALL BE CONFIRMED WITH THE UTILITY COMPANY PRIOR TO INSTALLATION. TELEPHONE, AND CABLE AS DEEMED NECESSARY BY THE OWNER. ALL CONDUIT SHALL MEET UTILITY COMPANY SPECIFICATIONS. CONDUIT SHOWING A LOSS IS APPROVED IN SIZE AND LOCATION. ALL SPECIFICATIONS SHALL BE CONFIRMED WITH THE UTILITY COMPANY PRIOR TO INSTALLATION.

## EARTHWORK IMPROVEMENTS

### GENERAL: THE EARTHWORK CONTRACTOR SHALL:

1. ALL FILL MATERIAL IMPORTED ON-SITE MUST MEET THE FOLLOWING REQUIREMENTS:

- 1.1. FILL MUST BE IMPORTED FROM ONE LOCATION.
2. CONTRACTOR IS RESPONSIBLE FOR OBTAINING THE FOLLOWING DOCUMENTATION FOR EACH LOAD OF CLEAN CONSTRUCTION OR DEMOLITION DEBRIS (CCDD) OR UNCONTAMINATED SOIL RECEIVED:
  - a) HAULER NAME, SITE OF ORIGIN, ADDRESS, OWNER OR OPERATOR OF THE SITE OF ORIGIN;
  - b) WEIGHT IN TONS OR VOLUME IN CUBIC YARDS; AND
  - c) DATE RECEIVED.
3. CONTRACTOR IS RESPONSIBLE TO OBTAIN FOR ALL SOIL:
  - a) CERTIFICATION FROM THE OWNER OR OPERATOR OF THE SITE OF ORIGIN THAT THE SITE HAS NEVER BEEN USED FOR COMMERCIAL OR INDUSTRIAL PURPOSES AND IS PRESUMED TO BE UNCONTAMINATED SOIL; OR
  - b) CERTIFICATION FROM A LICENSED PROFESSIONAL ENGINEER THAT THE SOIL IS UNCONTAMINATED.
4. CONTRACTOR IS RESPONSIBLE TO CONFIRM THAT THE CCDD OR UNCONTAMINATED SOIL WAS NOT REMOVED FROM A SITE AS PART OF A CLEAN-UP OR REMOVAL.

5. CONTRACTOR IS RESPONSIBLE TO VISUALLY INSPECT AND SCREEN EACH LOAD OF SOIL WITH A DEVICE SUCH AS A PHOTO IONIZATION DETECTOR, FLAME IONIZATION DETECTOR OR ANOTHER DEVICE APPROVED BY THE ILLINOIS ENVIRONMENTAL PROTECTION AGENCY, BUREAU OF LAND, THAT DETECTS VOLATILE ORGANIC COMPOUNDS (ALREADY REQUIRED OF PERMITTED CCDD FILL OPERATIONS).

6. CONTRACTOR IS RESPONSIBLE TO DOCUMENT ALL CHEMICAL ANALYSIS ACTIVITIES ASSOCIATED WITH TESTING OF THE CCDD OR UNCONTAMINATED SOIL, WHICH MUST INCLUDE, BUT IS NOT LIMITED TO:

- a) COPY OF THE LAB ANALYSIS;
- b) LABORATORY ACCREDITATION STATUS; AND
- c) LABORATORY AUTHORIZED AGENT CERTIFICATION.

7. EXCESS MATERIALS IF NOT UTILIZED AS FILL OR IF NOT STOCKPILED FOR FUTURE LANDSCAPING, SHALL BE COMPLETELY REMOVED FROM THE CONSTRUCTION SITE AND DISPOSED OF BY THE CONTRACTOR, UNLESS NOTED OTHERWISE. EARTHWORK CONTRACTOR IS RESPONSIBLE FOR CERTIFYING THAT ANY SOIL EXPORTED OFFSITE IS CLEAN CONSTRUCTION OR DEMOLITION DEBRIS (CCDD). IF THE SOIL IS NOT CCDD, CONTRACTOR IS RESPONSIBLE FOR THE PROPER DISPOSAL OF THE CONTAMINATED SOIL.

8. EXCESS MATERIALS IF NOT UTILIZED AS FILL OR IF NOT STOCKPILED FOR FUTURE LANDSCAPING, SHALL BE COMPLETELY REMOVED FROM THE CONSTRUCTION SITE AND DISPOSED OF BY THE CONTRACTOR.

9. EXCESS MATERIALS IF NOT UTILIZED AS FILL OR IF NOT STOCKPILED FOR FUTURE LANDSCAPING, SHALL BE COMPLETELY REMOVED FROM THE CONSTRUCTION SITE AND DISPOSED OF BY THE CONTRACTOR.

10. EXCESS MATERIALS IF NOT UTILIZED AS FILL OR IF NOT STOCKPILED FOR FUTURE LANDSCAPING, SHALL BE COMPLETELY REMOVED FROM THE CONSTRUCTION SITE AND DISPOSED OF BY THE CONTRACTOR.

11. EXCAVATION OF EARTH AND OTHER MATERIALS ARE SUITABLE FOR USE AS STRUCTURAL FILL. THE EXCAVATION SHALL BE TO A TOLERANCE OF 0.3 FEET (+/-) OF THE PLAN SUBGRADE ELEVATIONS. THE (+/-) TOLERANCE WITHIN PAVEMENT AREAS SHALL BE SUCH THAT THE EARTH MATERIAL SHALL "BALANCE" AS PART OF THE FINE GRADING OPERATION.

12. PLACEMENT OF THE EARTH AND OTHER SUITABLE MATERIALS SHALL BE WITHIN THOSE AREAS REQUIRING STRUCTURAL FILL IN ORDER TO ACHIEVE THE PLAN SUBGRADE ELEVATIONS TO WITHIN A TOLERANCE OF 0.3 FEET (+/-). THE MATERIAL SHALL BE PLACED (8) INCHES IN THICKNESS, AND THE WATER CONTENT SHALL BE ADJUSTED IN ORDER TO ACHIEVE THE REQUIRED COMPACTION. EARTH MATERIAL MAY BE PLACED WITHIN THOSE PORTIONS OF AREAS REQUIRING STRUCTURAL FILL TO WITHIN SIX (6) INCHES OF THE PLAN FINISHED GRADE ELEVATION. IN AREAS REQUIRING STRUCTURAL FILL, HOWEVER, THE EARTH MATERIAL SHALL NOT BE PLACED OVER TOPSOIL OR OTHER UNSUITABLE MATERIALS UNLESS SPECIFICALLY DIRECTED BY A SOILS ENGINEER WITH THE CONCURRENCE OF THE OWNER.

13. COMPACTION OF THE EARTH AND OTHER SUITABLE MATERIALS SHALL BE TO AT LEAST 95% OF THE STANDARD PROCTOR DRY DENSITY, ASTM 698 WITH PROPOSED PAVEMENT AND BUILDING AREAS. MODERATE COMPACTION IS REQUIRED ELSEWHERE.

14. EXCESS MATERIALS IF NOT UTILIZED AS FILL, SHALL BE COMPLETELY REMOVED FROM THE CONSTRUCTION SITE AND DISPOSED OF BY THE CONTRACTORS.

15. EXCESS MATERIALS IF NOT UTILIZED AS FILL, SHALL BE COMPLETELY REMOVED FROM THE CONSTRUCTION SITE AND DISPOSED OF BY THE CONTRACTORS.

16. EXCESS MATERIALS IF NOT UTILIZED AS FILL, SHALL BE COMPLETELY REMOVED FROM THE CONSTRUCTION SITE AND DISPOSED OF BY THE CONTRACTORS.

17. EXCESS MATERIALS IF NOT UTILIZED AS FILL, SHALL BE COMPLETELY REMOVED FROM THE CONSTRUCTION SITE AND DISPOSED OF BY THE CONTRACTORS.

18. EXCESS MATERIALS IF NOT UTILIZED AS FILL, SHALL BE COMPLETELY REMOVED FROM THE CONSTRUCTION SITE AND DISPOSED OF BY THE CONTRACTORS.

19. EXCESS MATERIALS IF NOT UTILIZED AS FILL, SHALL BE COMPLETELY REMOVED FROM THE CONSTRUCTION SITE AND DISPOSED OF BY THE CONTRACTORS.

20. EXCESS MATERIALS IF NOT UTILIZED AS FILL, SHALL BE COMPLETELY REMOVED FROM THE CONSTRUCTION SITE AND DISPOSED OF BY THE CONTRACTORS.

21. EXCESS MATERIALS IF NOT UTILIZED AS FILL, SHALL BE COMPLETELY REMOVED FROM THE CONSTRUCTION SITE AND DISPOSED OF BY THE CONTRACTORS.

22. EXCESS MATERIALS IF NOT UTILIZED AS FILL, SHALL BE COMPLETELY REMOVED FROM THE CONSTRUCTION SITE AND DISPOSED OF BY THE CONTRACTORS.

23. EXCESS MATERIALS IF NOT UTILIZED AS FILL, SHALL BE COMPLETELY REMOVED FROM THE CONSTRUCTION SITE AND DISPOSED OF BY THE CONTRACTORS.

24. EXCESS MATERIALS IF NOT UTILIZED AS FILL, SHALL BE COMPLETELY REMOVED FROM THE CONSTRUCTION SITE AND DISPOSED OF BY THE CONTRACTORS.

25. EXCESS MATERIALS IF NOT UTILIZED AS FILL, SHALL BE COMPLETELY REMOVED FROM THE CONSTRUCTION SITE AND DISPOSED OF BY THE CONTRACTORS.

26. EXCESS MATERIALS IF NOT UTILIZED AS FILL, SHALL BE COMPLETELY REMOVED FROM THE CONSTRUCTION SITE AND DISPOSED OF BY THE CONTRACTORS.

27. EXCESS MATERIALS IF NOT UTILIZED AS FILL, SHALL BE COMPLETELY REMOVED FROM THE CONSTRUCTION SITE AND DISPOSED OF BY THE CONTRACTORS.

28. EXCESS MATERIALS IF NOT UTILIZED AS FILL, SHALL BE COMPLETELY REMOVED FROM THE CONSTRUCTION SITE AND DISPOSED OF BY THE CONTRACTORS.

29. EXCESS MATERIALS IF NOT UTILIZED AS FILL, SHALL BE COMPLETELY REMOVED FROM THE CONSTRUCTION SITE AND DISPOSED OF BY THE CONTRACTORS.

30. EXCESS MATERIALS IF NOT UTILIZED AS FILL, SHALL BE COMPLETELY REMOVED FROM THE CONSTRUCTION SITE AND DISPOSED OF BY THE CONTRACTORS.

31. EXCESS MATERIALS IF NOT UTILIZED AS FILL, SHALL BE COMPLETELY REMOVED FROM THE CONSTRUCTION SITE AND DISPOSED OF BY THE CONTRACTORS.

32. EXCESS MATERIALS IF NOT UTILIZED AS FILL, SHALL BE COMPLETELY REMOVED FROM THE CONSTRUCTION SITE AND DISPOSED OF BY THE CONTRACTORS.

33. EXCESS MATERIALS IF NOT UTILIZED AS FILL, SHALL BE COMPLETELY REMOVED FROM THE CONSTRUCTION SITE AND DISPOSED OF BY THE CONTRACTORS.

34. EXCESS MATERIALS IF NOT UTILIZED AS FILL, SHALL BE COMPLETELY REMOVED FROM THE CONSTRUCTION SITE AND DISPOSED OF BY THE CONTRACTORS.

35. EXCESS MATERIALS IF NOT UTILIZED AS FILL, SHALL BE COMPLETELY REMOVED FROM THE CONSTRUCTION SITE AND DISPOSED OF BY THE CONTRACTORS.

36. EXCESS MATERIALS IF NOT UTILIZED AS FILL, SHALL BE COMPLETELY REMOVED FROM THE CONSTRUCTION SITE AND DISPOSED OF BY THE CONTRACTORS.

37. EXCESS MATERIALS IF NOT UTILIZED AS FILL, SHALL BE COMPLETELY REMOVED FROM THE CONSTRUCTION SITE AND DISPOSED OF BY THE CONTRACTORS.

38. EXCESS MATERIALS IF NOT UTILIZED AS FILL, SHALL BE COMPLETELY REMOVED FROM THE CONSTRUCTION SITE AND DISPOSED OF BY THE CONTRACTORS.

39. EXCESS MATERIALS IF NOT UTILIZED AS FILL, SHALL BE COMPLETELY REMOVED FROM THE CONSTRUCTION SITE AND DISPOSED OF BY THE CONTRACTORS.

40. EXCESS MATERIALS IF NOT UTILIZED AS FILL, SHALL BE COMPLETELY REMOVED FROM THE CONSTRUCTION SITE AND DISPOSED OF BY THE CONTRACTORS.

41. EXCESS MATERIALS IF NOT UTILIZED AS FILL, SHALL BE COMPLETELY REMOVED FROM THE CONSTRUCTION SITE AND DISPOSED OF BY THE CONTRACTORS.

42. EXCESS MATERIALS IF NOT UTILIZED AS FILL, SHALL BE COMPLETELY REMOVED FROM THE CONSTRUCTION SITE AND DISPOSED OF BY THE CONTRACTORS.

43. EXCESS MATERIALS IF NOT UTILIZED AS FILL, SHALL BE COMPLETELY REMOVED FROM THE CONSTRUCTION SITE AND DISPOSED OF BY THE CONTRACTORS.

44. EXCESS MATERIALS IF NOT UTILIZED AS FILL, SHALL BE COMPLETELY REMOVED FROM THE CONSTRUCTION SITE AND DISPOSED OF BY THE CONTRACTORS.

45. EXCESS MATERIALS IF NOT UTILIZED AS FILL, SHALL BE COMPLETELY REMOVED FROM THE CONSTRUCTION SITE AND DISPOSED OF BY THE CONTRACTORS.

46. EXCESS MATERIALS IF NOT UTILIZED AS FILL, SHALL BE COMPLETELY REMOVED FROM THE CONSTRUCTION SITE AND DISPOSED OF BY THE CONTRACTORS.

47. EXCESS MATERIALS IF NOT UTILIZED AS FILL, SHALL BE COMPLETELY REMOVED FROM THE CONSTRUCTION SITE AND DISPOSED OF BY THE CONTRACTORS.

48. EXCESS MATERIALS IF NOT UTILIZED AS FILL, SHALL BE COMPLETELY REMOVED FROM THE CONSTRUCTION SITE AND DISPOSED OF BY THE CONTRACTORS.

49. EXCESS MATERIALS IF NOT UTILIZED AS FILL, SHALL BE COMPLETELY REMOVED FROM THE CONSTRUCTION SITE AND DISPOSED OF BY THE CONTRACTORS.

50. EXCESS MATERIALS IF NOT UTILIZED AS FILL, SHALL BE COMPLETELY REMOVED FROM THE CONSTRUCTION SITE AND DISPOSED OF BY THE CONTRACTORS.

51. EXCESS MATERIALS IF NOT UTILIZED AS FILL, SHALL BE COMPLETELY REMOVED FROM THE CONSTRUCTION SITE AND DISPOSED OF BY THE CONTRACTORS.

52. EXCESS MATERIALS IF NOT UTILIZED AS FILL, SHALL BE COMPLETELY REMOVED FROM THE CONSTRUCTION SITE AND DISPOSED OF BY THE CONTRACTORS.

## METHOD OF MEASUREMENT

1. AS-BUILT MEASUREMENTS OF EARTHWORK FOR THE PURPOSE OF PAYMENT SHALL NOT APPLY. THE QUANTITIES SHOWN IN THE ENGINEER'S "QUANTITY ESTIMATE" SHALL BE UTILIZED UNLESS SAID QUANTITIES ARE ADJUSTED BY MUTUAL CONSENT OR BY THE OWNER AND CONTRACTOR PRIOR TO THE SIGNING AND ACCEPTANCE OF THE CONTRACT.

2. THE QUANTITIES AS SHOWN IN THE ENGINEER'S "QUANTITY ESTIMATE" ARE THOSE ESTIMATED BY THE ENGINEER AND ARE PROVIDED SOLELY FOR THE CONVENIENCE OF THE CONTRACTOR. THE CONTRACTOR, BY CHOOSING TO UTILIZE THESE QUANTITIES IN THE PREPARATION OF HIS "LUMP SUM" BID, ALSO ACCEPTS THEIR ACCURACY. THE CONTRACTOR IS THEREFORE ENCOURAGED TO MAKE HIS OWN INDEPENDENT EARTHWORK CALCULATION, AND TO VISIT THE SITE PRIOR TO THE PREPARATION OF HIS BID.

3. PRIOR TO THE REMOVAL OF UNSUITABLE MATERIAL, THE CONTRACTOR SHALL NOTIFY THE OWNER FOR AUTHORIZATION TO REMOVE SAID MATERIAL. UPON AUTHORIZATION AND REMOVAL, THE UNSUITABLE MATERIAL SHALL BE FIELD MEASURED BY THE ENGINEER IN PLACE.

## EROSION CONTROL

EROSION CONTROL MEASURES SHALL CONFORM TO "THE STANDARDS AND SPECIFICATIONS FOR SOIL EROSION AND SEDIMENT CONTROL IN NORTHEASTERN ILLINOIS" LATEST EDITION, AND FURTHER MEASURES AS DEEMED NECESSARY. TEMPORARY VEGETATION OR, WHEN APPROPRIATE, MULCHING OR OTHER NONVARIABLE COVER SHALL BE USED TO PROTECT AREAS EXPOSED DURING DEVELOPMENT. PERMANENT SEEDING AREAS SHALL RECEIVE 16 LBS/ACRE CREeping RED FESCUE, AND 88 LBS/ACRE KENTUCKY BLUEGRASS. STRAW BALES SHALL BE SPREAD AT RATE OF TWO BALES/ACRE IN ALL PERMANENT SEEDING AREAS. FERTILIZER SHOULD BE APPLIED PRIOR TO SEEDING AT THE FOLLOWING RATES:

NITROGEN 130 LBS/ACRE  
PHOSPHORUS 130 LBS/ACRE  
POTASSIUM 130 LBS/ACRE

a) HAULER NAME, SITE OF ORIGIN, ADDRESS, OWNER OR OPERATOR OF THE SITE OF ORIGIN;  
b) WEIGHT IN TONS OR VOLUME IN CUBIC YARDS; AND  
c) DATE RECEIVED.

3. CONTRACTOR IS RESPONSIBLE TO OBTAIN FOR ALL SOIL:

- a) CERTIFICATION FROM THE OWNER OR OPERATOR OF THE SITE OF ORIGIN THAT THE SITE HAS NEVER BEEN USED FOR COMMERCIAL OR INDUSTRIAL PURPOSES AND IS PRESUMED TO BE UNCONTAMINATED SOIL; OR
- b) CERTIFICATION FROM A LICENSED PROFESSIONAL ENGINEER THAT THE SOIL IS UNCONTAMINATED.

4. CONTRACTOR IS RESPONSIBLE TO CONFIRM THAT THE CCDD OR UNCONTAMINATED SOIL WAS NOT REMOVED FROM A SITE AS PART OF A CLEAN-UP OR REMOVAL.

5. CONTRACTOR IS RESPONSIBLE TO VISUALLY INSPECT AND SCREEN EACH LOAD OF SOIL WITH A DEVICE SUCH AS A PHOTO IONIZATION DETECTOR, FLAME IONIZATION DETECTOR OR ANOTHER DEVICE APPROVED BY THE ILLINOIS ENVIRONMENTAL PROTECTION AGENCY, BUREAU OF LAND, THAT DETECTS VOLATILE ORGANIC COMPOUNDS (ALREADY REQUIRED OF PERMITTED CCDD FILL OPERATIONS).

6. CONTRACTOR IS RESPONSIBLE TO DOCUMENT ALL CHEMICAL ANALYSIS ACTIVITIES ASSOCIATED WITH TESTING OF THE CCDD OR UNCONTAMINATED SOIL, WHICH MUST INCLUDE, BUT IS NOT LIMITED TO:

a) COPY OF THE LAB ANALYSIS;

b) LABORATORY ACCREDITATION STATUS; AND

c) LABORATORY AUTHORIZED AGENT CERTIFICATION.

7. EXCESS MATERIALS IF NOT UTILIZED AS FILL OR IF NOT STOCKPILED FOR FUTURE LANDSCAPING, SHALL BE COMPLETELY REMOVED FROM THE CONSTRUCTION SITE AND DISPOSED OF BY THE CONTRACTOR, UNLESS NOTED OTHERWISE. EARTHWORK CONTRACTOR IS RESPONSIBLE FOR CERTIFYING THAT ANY SOIL EXPORTED OFFSITE IS CLEAN CONSTRUCTION OR DEMOLITION DEBRIS (CCDD). IF THE SOIL IS NOT CCDD, CONTRACTOR IS RESPONSIBLE FOR THE PROPER DISPOSAL OF THE CONTAMINATED SOIL.

8. EXCESS MATERIALS IF NOT UTILIZED AS FILL OR IF NOT STOCKPILED FOR FUTURE LANDSCAPING, SHALL BE COMPLETELY REMOVED FROM THE CONSTRUCTION SITE AND DISPOSED OF BY THE CONTRACTOR.

9. EXCESS MATERIALS IF NOT UTILIZED AS FILL OR IF NOT STOCKPILED FOR FUTURE LANDSCAPING, SHALL BE COMPLETELY REMOVED FROM THE CONSTRUCTION SITE AND DISPOSED OF BY THE CONTRACTOR.

10. EXCESS MATERIALS IF NOT UTILIZED AS FILL OR IF NOT STOCKPILED FOR FUTURE LANDSCAPING, SHALL BE COMPLETELY REMOVED FROM THE CONSTRUCTION SITE AND DISPOSED OF BY THE CONTRACTOR.

11. EXCESS MATERIALS IF NOT UTILIZED AS FILL OR IF NOT STOCKPILED FOR FUTURE LANDSCAPING, SHALL BE COMPLETELY REMOVED FROM THE CONSTRUCTION SITE AND DISPOSED OF BY THE CONTRACTOR.

12. EXCESS MATERIALS IF NOT UTILIZED AS FILL OR IF NOT STOCKPILED FOR FUTURE LANDSCAPING, SHALL BE COMPLETELY REMOVED FROM THE CONSTRUCTION SITE AND DISPOSED OF BY THE CONTRACTOR.

13. EXCESS MATERIALS IF NOT UTILIZED AS FILL OR IF NOT STOCKPILED FOR FUTURE LANDSCAPING, SHALL BE COMPLETELY REMOVED FROM THE CONSTRUCTION SITE AND DISPOSED OF BY THE CONTRACTOR.

14. EXCESS MATERIALS IF NOT UTILIZED AS FILL OR IF NOT STOCKPILED FOR FUTURE LANDSCAPING, SHALL BE COMPLETELY REMOVED FROM THE CONSTRUCTION SITE AND DISPOSED OF BY THE CONTRACTOR.

15. EXCESS MATERIALS IF NOT UTILIZED AS FILL OR IF NOT STOCKPILED FOR FUTURE LANDSCAPING, SHALL BE COMPLETELY REMOVED FROM THE CONSTRUCTION SITE AND DISPOSED OF BY THE CONTRACTOR.

16. EXCESS MATERIALS IF NOT UTILIZED AS FILL OR IF NOT STOCKPILED FOR FUTURE LANDSCAPING, SHALL BE COMPLETELY REMOVED FROM THE CONSTRUCTION SITE AND DISPOSED OF BY THE CONTRACTOR.

17. EXCESS MATERIALS IF NOT UTILIZED AS FILL OR IF NOT STOCKPILED FOR FUTURE LANDSCAPING, SHALL BE COMPLETELY REMOVED FROM THE CONSTRUCTION SITE AND DISPOSED OF BY THE CONTRACTOR.

18. EXCESS MATERIALS IF NOT UTILIZED AS FILL OR IF NOT STOCKPILED FOR FUTURE LANDSCAPING, SHALL BE COMPLETELY REMOVED FROM THE CONSTRUCTION SITE AND DISPOSED OF BY THE CONTRACTOR.

19. EXCESS MATERIALS IF NOT UTILIZED AS FILL OR IF NOT STOCKPILED FOR FUTURE LANDSCAPING, SHALL BE COMPLETELY REMOVED FROM THE CONSTRUCTION SITE AND DISPOSED OF BY THE CONTRACTOR.

20. EXCESS MATERIALS IF NOT UTILIZED AS FILL OR IF NOT STOCKPILED FOR FUTURE LANDSCAPING, SHALL BE COMPLETELY REMOVED FROM THE CONSTRUCTION SITE AND DISPOSED OF BY THE CONTRACTOR.

21. EXCESS MATERIALS IF NOT UTILIZED AS FILL OR IF NOT STOCKPILED FOR FUTURE LANDSCAPING, SHALL BE COMPLETELY REMOVED FROM THE CONSTRUCTION SITE AND DISPOSED OF BY THE CONTRACTOR.

22. EXCESS MATERIALS IF NOT UTILIZED AS FILL OR IF NOT STOCKPILED FOR FUTURE LANDSCAPING, SHALL BE COMPLETELY REMOVED FROM THE CONSTRUCTION SITE AND DISPOSED OF BY THE CONTRACTOR.

23. EXCESS MATERIALS IF NOT UTILIZED AS FILL OR IF NOT STOCKPILED FOR FUTURE LANDSCAPING, SHALL BE COMPLETELY REMOVED FROM THE CONSTRUCTION SITE AND DISPOSED OF BY THE CONTRACTOR.

24. EXCESS MATERIALS IF NOT UTILIZED AS FILL OR IF NOT STOCKPILED FOR FUTURE LANDSCAPING, SHALL BE COMPLETELY REMOVED FROM THE CONSTRUCTION SITE AND DISPOSED OF BY THE CONTRACTOR.

25. EXCESS MATERIALS IF NOT UTILIZED AS FILL OR IF NOT STOCKPILED FOR FUTURE LANDSCAPING, SHALL BE COMPLETELY REMOVED FROM THE CONSTRUCTION SITE AND DISPOSED OF BY THE CONTRACTOR.

26. EXCESS MATERIALS IF NOT UTILIZED AS FILL OR IF NOT STOCKPILED FOR FUTURE LANDSCAPING, SHALL BE COMPLETELY REMOVED FROM THE CONSTRUCTION SITE AND DISPOSED OF BY THE CONTRACTOR.

27. EXCESS MATERIALS IF NOT UTILIZED AS FILL OR IF NOT STOCKPILED FOR FUTURE LANDSCAPING, SHALL BE COMPLETELY REMOVED FROM THE CONSTRUCTION SITE AND DISPOSED OF BY THE CONTRACTOR.

28. EXCESS MATERIALS IF NOT UTILIZED AS FILL OR IF NOT STOCKPILED FOR FUTURE LANDSCAPING, SHALL BE COMPLETELY REMOVED FROM THE CONSTRUCTION SITE AND DISPOSED OF BY THE CONTRACTOR.

29. EXCESS MATERIALS IF NOT UTILIZED AS FILL OR IF NOT STOCKPILED FOR FUTURE LANDSCAPING, SHALL BE COMPLETELY REMOVED FROM THE CONSTRUCTION SITE AND DISPOSED OF BY THE CONTRACTOR.

30. EXCESS MATERIALS IF NOT UTILIZED AS FILL OR IF NOT STOCKPILED FOR FUTURE LANDSCAPING, SHALL BE COMPLETELY REMOVED FROM THE CONSTRUCTION SITE AND DISPOSED OF BY THE CONTRACTOR.

31. EXCESS MATERIALS IF NOT UTILIZED AS FILL OR IF NOT STOCKPILED FOR FUTURE LANDSCAPING, SHALL BE COMPLETELY REMOVED FROM THE CONSTRUCTION SITE AND DISPOSED OF BY THE CONTRACTOR.

32. EXCESS MATERIALS IF NOT UTILIZED AS FILL OR IF NOT STOCKPILED FOR FUTURE LANDSCAPING, SHALL BE COMPLETELY REMOVED FROM THE CONSTRUCTION SITE AND DISPOSED OF BY THE CONTRACTOR.

33. EXCESS MATERIALS IF NOT UTILIZED AS FILL OR IF NOT STOCKPILED FOR FUTURE LANDSCAPING, SHALL BE COMPLETELY REMOVED FROM THE CONSTRUCTION SITE AND DISPOSED OF BY THE CONTRACTOR.

34. EXCESS MATERIALS IF NOT UTILIZED AS FILL OR IF NOT STOCKPILED FOR FUTURE LANDSCAPING, SHALL BE COMPLETELY REMOVED FROM THE CONSTRUCTION SITE AND DISPOSED OF BY THE CONTRACTOR.

35. EXCESS MATERIALS IF NOT UTILIZED AS FILL OR IF NOT STOCKPILED FOR FUTURE LANDSCAPING, SHALL BE COMPLETELY REMOVED FROM THE CONSTRUCTION SITE AND DISPOSED OF BY THE CONTRACTOR.

36. EXCESS MATERIALS IF NOT UTILIZED AS FILL OR IF NOT STOCKPILED FOR FUTURE LANDSCAPING, SHALL BE COMPLETELY REMOVED FROM THE CONSTRUCTION SITE AND DISPOSED OF BY THE CONTRACTOR.

37. EXCESS MATERIALS IF NOT UTILIZED AS FILL OR IF NOT STOCKPILED FOR FUTURE LANDSCAPING, SHALL BE COMPLETELY REMOVED FROM THE CONSTRUCTION SITE AND DISPOSED OF BY THE CONTRACTOR.

38. EXCESS MATERIALS IF NOT UTILIZED AS FILL OR IF NOT STOCKPILED FOR FUTURE LANDSCAPING, SHALL BE COMPLETELY REMOVED FROM THE CONSTRUCTION SITE AND DISPOSED OF BY THE CONTRACTOR.

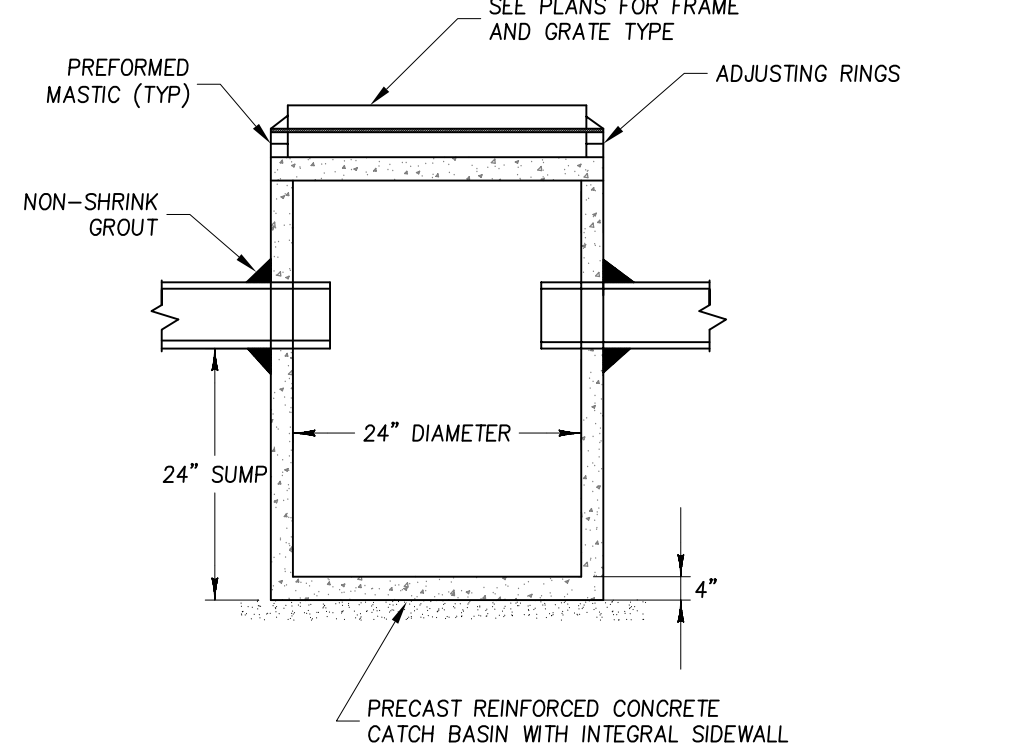
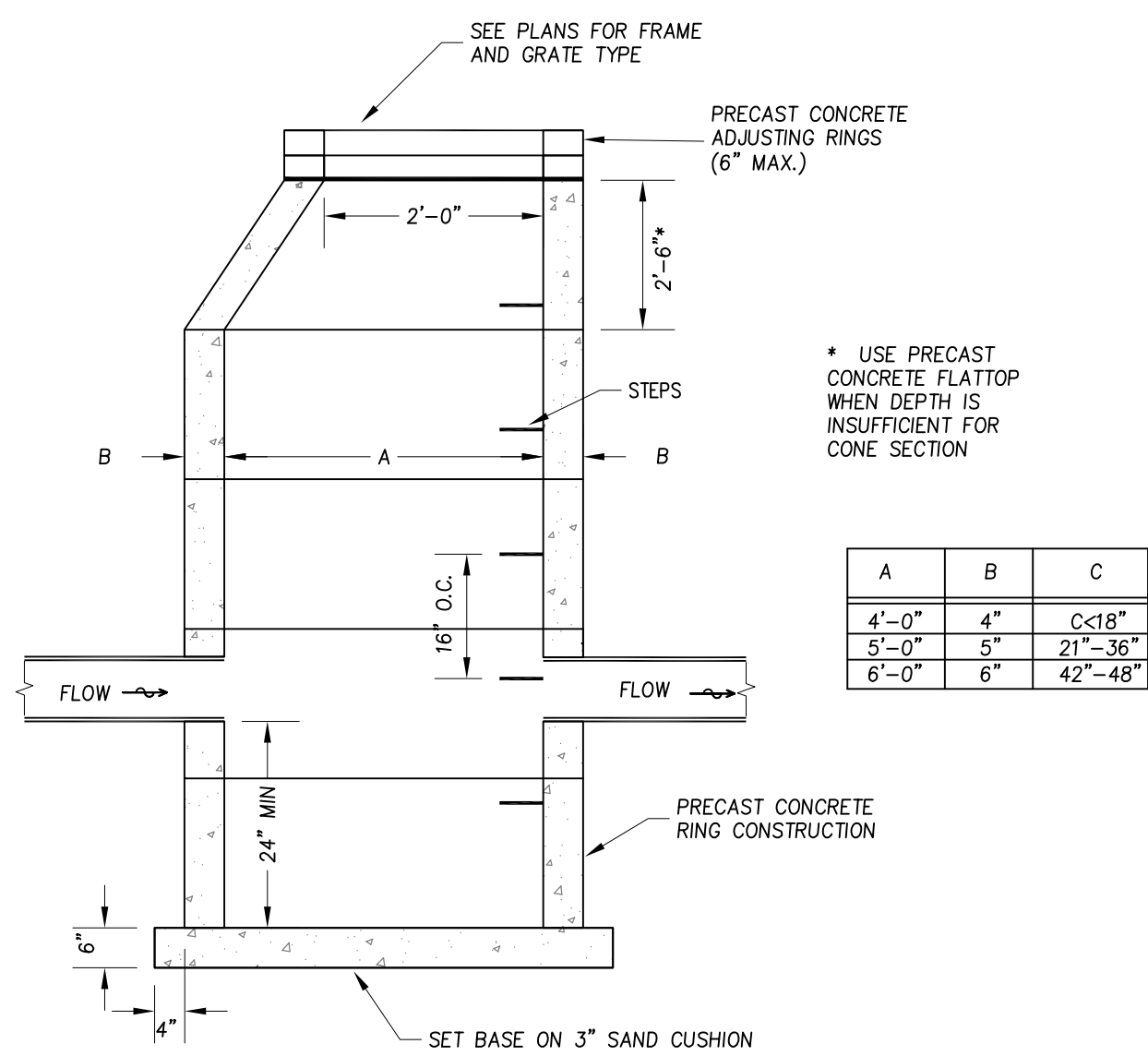
39. EXCESS MATERIALS IF NOT UTILIZED AS FILL OR IF NOT STOCKPILED FOR FUTURE LANDSCAPING, SHALL BE COMPLETELY REMOVED FROM THE CONSTRUCTION SITE AND DISPOSED OF BY THE CONTRACTOR.

40. EXCESS MATERIALS IF NOT UTILIZED AS FILL OR IF NOT STOCKPILED FOR FUTURE LANDSCAPING, SHALL BE COMPLETELY REMOVED FROM THE CONSTRUCTION SITE AND DISPOSED OF BY THE CONTRACTOR.



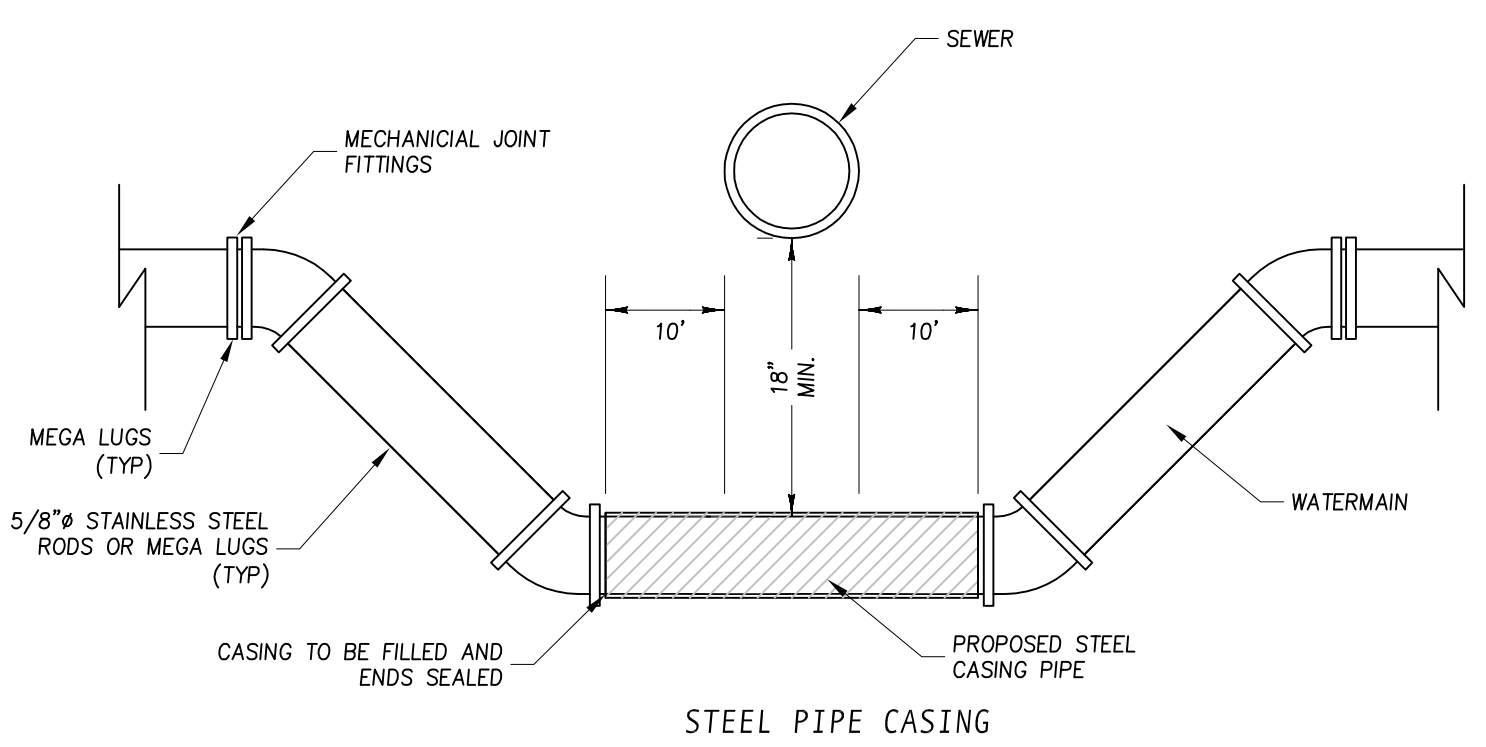






NOTES:  
 1. PROVIDE FA-1,2, OR 6 AGGREGATE AROUND CB TO SUBGRADE ELEVATION.  
 2. ALTERNATE CB BOTTOM - PRECAST REINFORCED CONCRETE BASIN.  
 3. NO MORE THAN TWO ADJUSTING RINGS SHALL BE PERMITTED. TWO INCH ADJUSTING RINGS SHALL ONLY BE USED ON ADJUSTMENTS LESS THAN THREE INCHES.  
 4. CONCRETE FILLETS SHALL BE MADE WITH ADDITIONAL MORTAR TO PROVIDE A SMOOTH TRANSITION BETWEEN THE CASTING AND THE ADJUSTING RINGS.  
 5. DRESS UP INTERIOR JOINTS WITH HYDRAULIC CEMENT. APPLY A CONTINUOUS LAYER OF NONHARDENING PREFORMED MASTIC MATERIAL (RUB R NEK OR EZ STICK) TO PREVENT INFLOW.

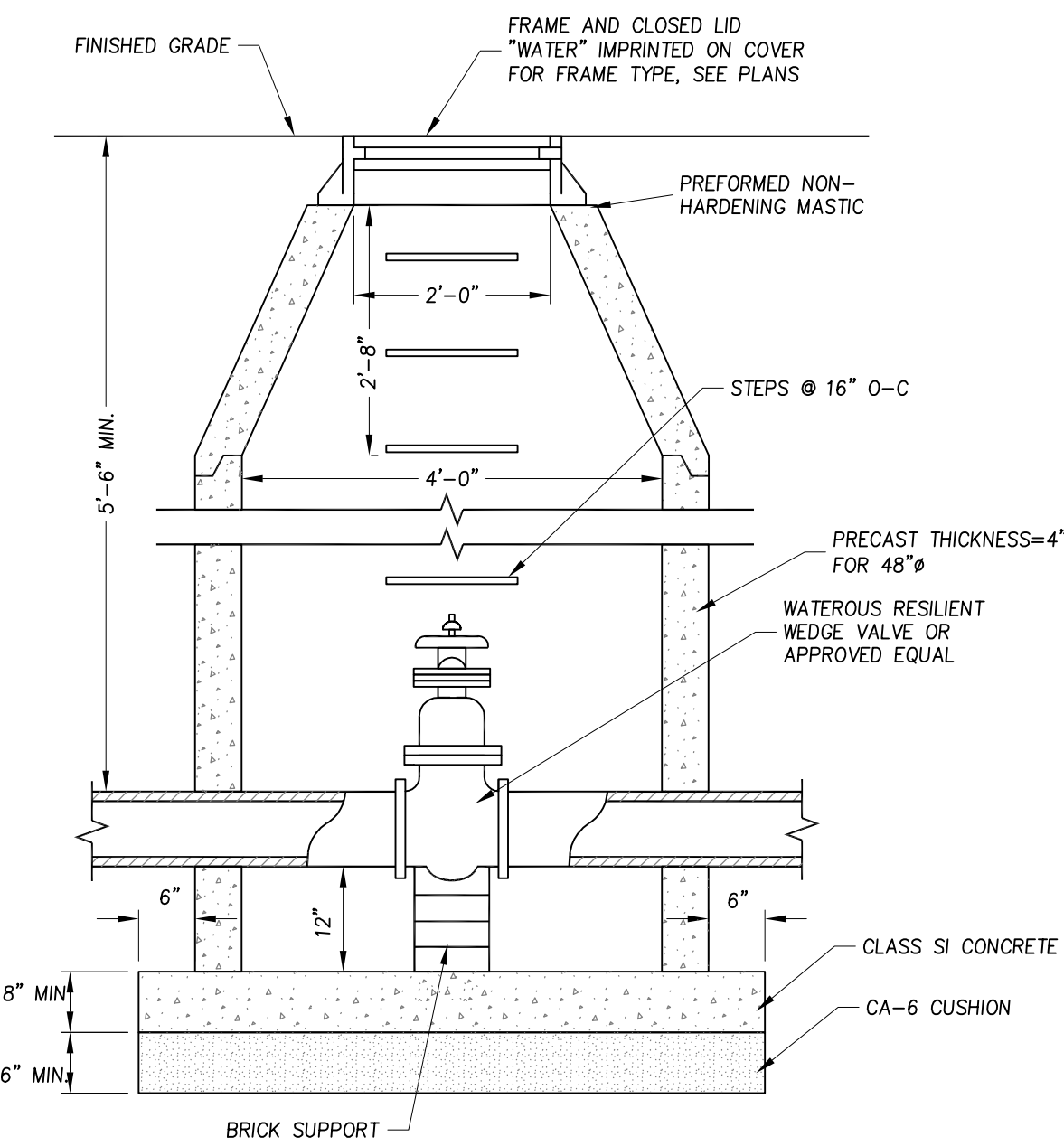
**CATCH BASIN (TYPE C)** N.T.S.



| WATER MAIN DIA. | STEEL CASING PIPE DIA. | MIN. THICKNESS STEEL CASING |
|-----------------|------------------------|-----------------------------|
| 6"              | 12"                    | 0.188"                      |
| 8"              | 16"                    | 0.219"                      |
| 10"             | 18"                    | 0.250"                      |
| 12"             | 20"                    | 0.281"                      |
| 14"             | 24"                    | 0.344"                      |
| 16"             | 30"                    | 0.344"                      |
| 18"             | 30"                    | 0.406"                      |
| 20"             | 30"                    | 0.406"                      |
| 24"             | 30"                    | 0.406"                      |

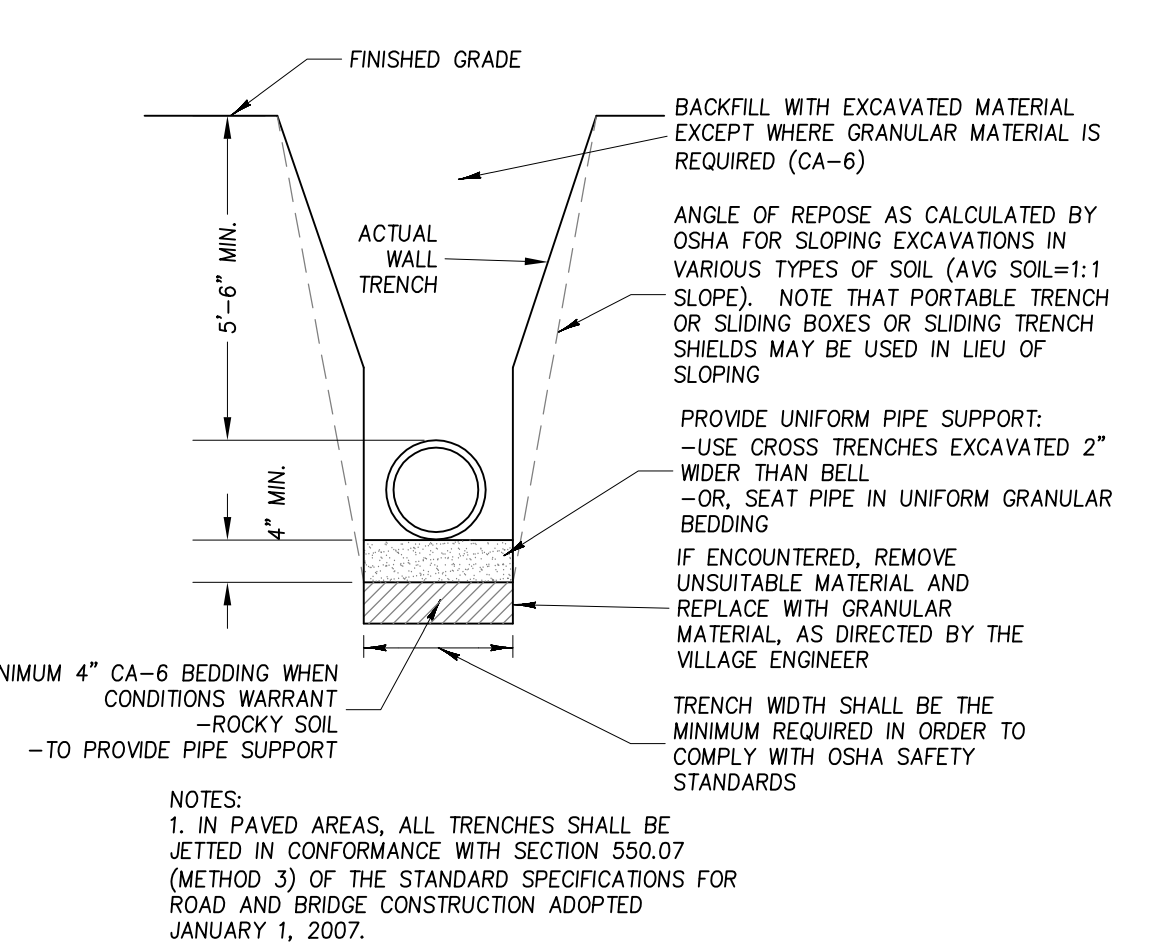
1. THIS TYPE OF CROSSING CASING SHALL BE INSTALLED WHENEVER THE WATERMAIN IS CONSTRUCTED BELOW SEWERS.  
 2. THE STEEL CASING SHALL BE ONE CONTINUAL SECTION (NO JOINTS).

**CASING PIPE FOR WATERMAIN CROSSINGS** N.T.S.

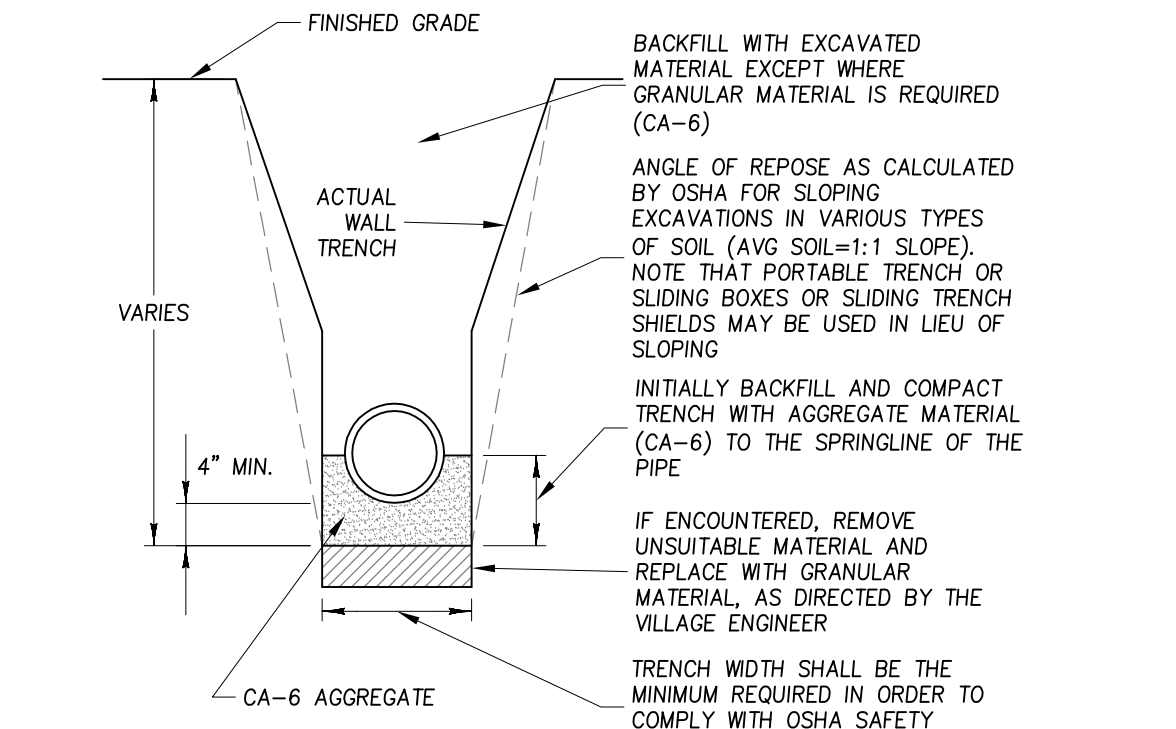


NOTES:  
 1. WHEN THE FRAME DOES NOT MEET PROPOSED ELEVATION, A MAXIMUM OF TWO PRECAST CONCRETE RINGS MAY BE USED TO A MAXIMUM OF SIX INCHES. THE RING(S) SHALL BE SET IN A BED OF NON-HARDENING MASTIC (RUB-R-NEK OR EQUAL).  
 2. THE VALVE MUST ALIGN WITH THE CENTER OF VAULT OPENING.  
 3. CONES MUST BE CONCENTRIC WITH VALVES 12" OR SMALLER.  
 4. BUTTERFLY VALVES REQUIRE ECCENTRIC CONES.  
 5. DRESS UP INTERIOR JOINTS WITH HYDRAULIC CEMENT.

**WATER TIGHT VALVE VAULT** N.T.S.



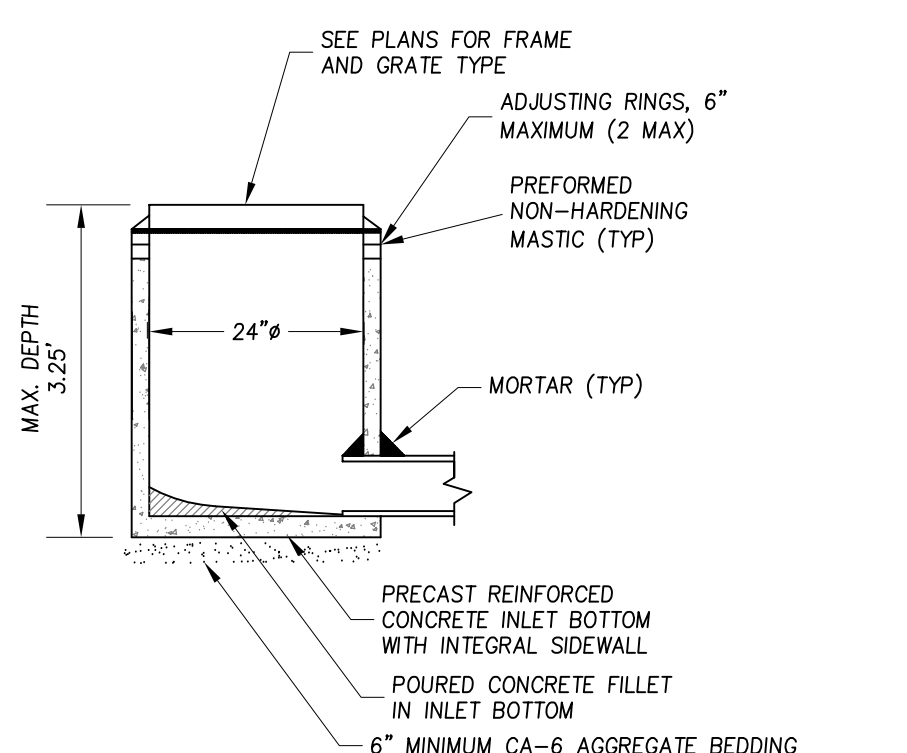
**TRENCH SECTION (WATERMAIN)** N.T.S.



**TRENCH SECTION (STORM SEWER)** N.T.S.

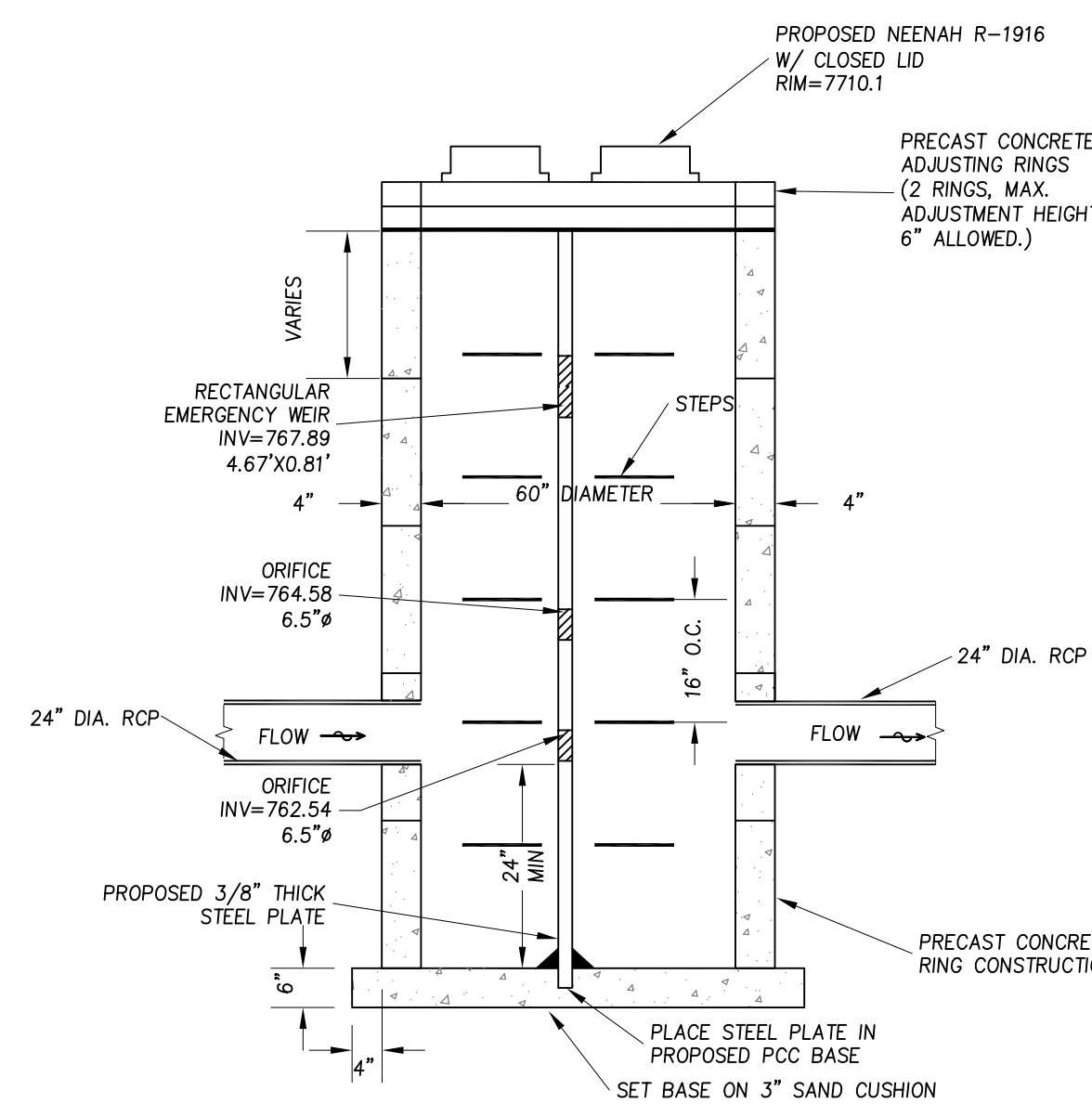
NOTES:  
 1. PROVIDE FA-1,2, OR 6 AGGREGATE AROUND CB TO SUBGRADE ELEVATION.  
 2. ALTERNATE CB BOTTOM - PRECAST REINFORCED CONCRETE BASIN.  
 3. NO MORE THAN TWO ADJUSTING RINGS SHALL BE PERMITTED. TWO INCH ADJUSTING RINGS SHALL ONLY BE USED ON ADJUSTMENTS LESS THAN THREE INCHES.  
 4. CONCRETE FILLETS SHALL BE MADE WITH ADDITIONAL MORTAR TO PROVIDE A SMOOTH TRANSITION BETWEEN THE CASTING AND THE ADJUSTING RINGS.  
 5. DRESS UP INTERIOR JOINTS WITH HYDRAULIC CEMENT. APPLY A CONTINUOUS LAYER OF NONHARDENING PREFORMED MASTIC MATERIAL (RUB R NEK OR EZ STICK) TO PREVENT INFLOW.  
 6. "C" DENOTES SEWER PIPE DIAMETER

**CATCH BASIN (TYPE A)**

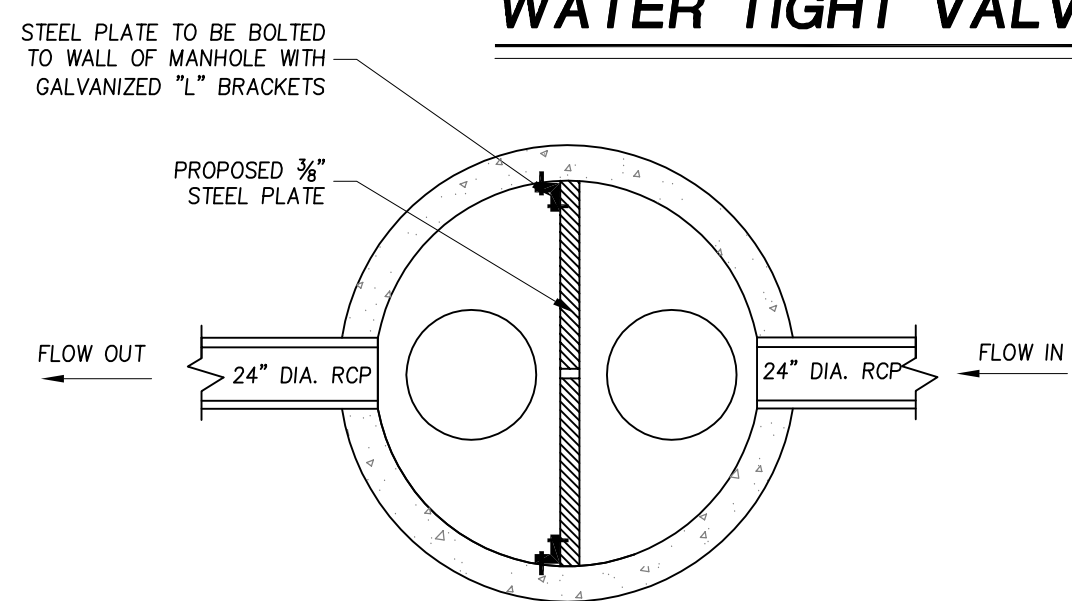


NOTES:  
 1. PROVIDE FA-1,2, OR 6 AGGREGATE AROUND CB TO SUBGRADE ELEVATION.  
 2. ALTERNATE CB BOTTOM - PRECAST REINFORCED CONCRETE BASIN.  
 3. NO MORE THAN TWO ADJUSTING RINGS SHALL BE PERMITTED. TWO INCH ADJUSTING RINGS SHALL ONLY BE USED ON ADJUSTMENTS LESS THAN THREE INCHES.  
 4. CONCRETE FILLETS SHALL BE MADE WITH ADDITIONAL MORTAR TO PROVIDE A SMOOTH TRANSITION BETWEEN THE CASTING AND THE ADJUSTING RINGS.  
 5. DRESS UP INTERIOR JOINTS WITH HYDRAULIC CEMENT. APPLY A CONTINUOUS LAYER OF NONHARDENING PREFORMED MASTIC MATERIAL (RUB R NEK OR EZ STICK) TO PREVENT INFLOW.

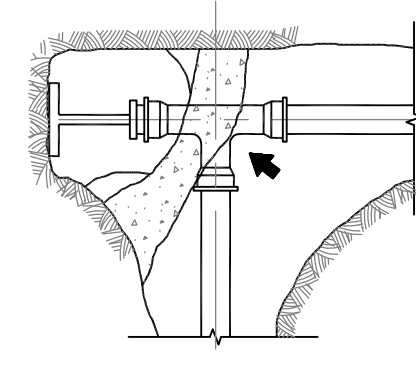
**INLET (TYPE A)** N.T.S.



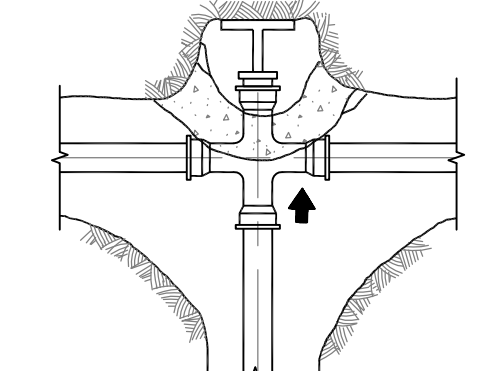
**OUTLET CONTROL STRUCTURE** N.T.S.



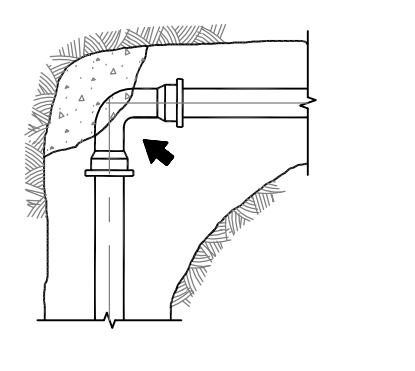
NOTES:  
 1. FOR ABS, ADS, OR PVC PIPE AN APPROVED MANHOLE SLEEVE SHALL BE USED TO ASSURE A WATER TIGHT CONNECTION BETWEEN PIPE AND MANHOLE WALL.  
 2. PRECAST CONCRETE SHALL CONFORM TO ASTM C-478 FOR ALL MANHOLES.  
 3. FOR FRAME AND GRATE TYPES, SEE CALLOUTS ON ENGINEERING PLANS.  
 4. COST FOR ORIFICE AND PLATE INSTALLATION SHALL BE INCIDENTAL TO MANHOLE CONSTRUCTION.



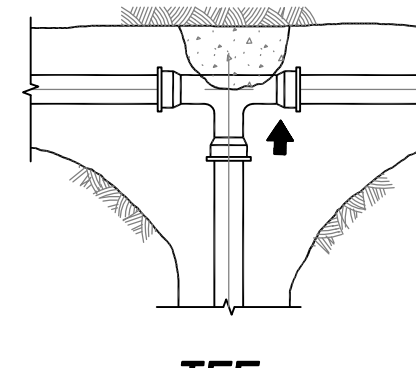
**PLUGGED TEE**



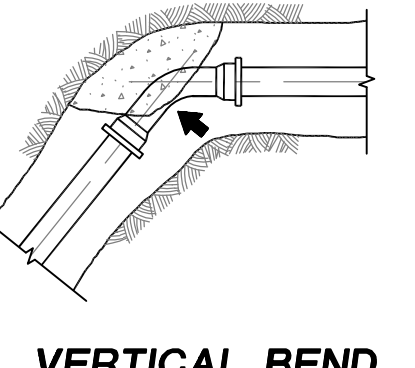
**PLUGGED CROSS**



**90 DEG ELBOW**



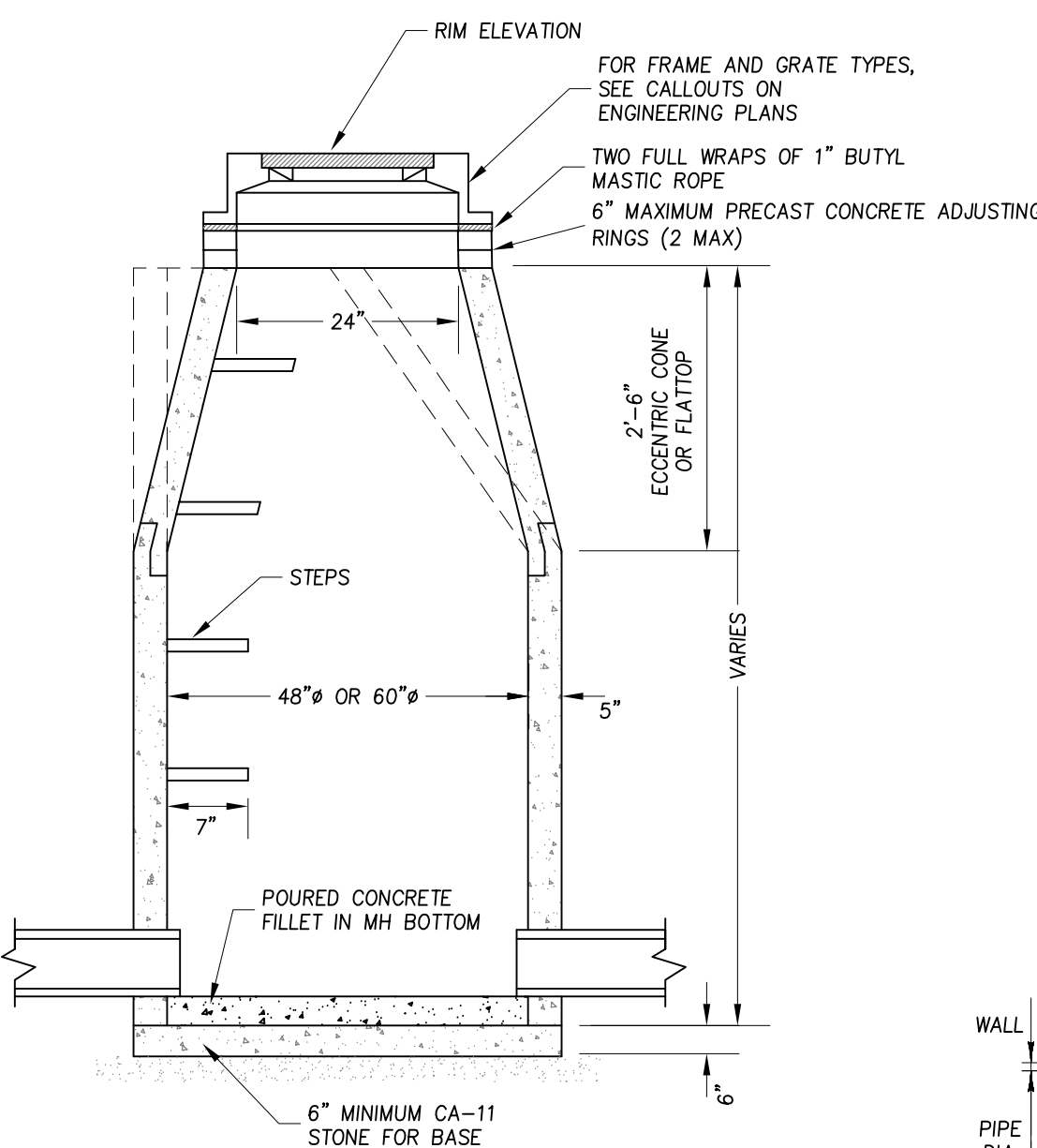
**TEE**



**VERTICAL BEND**

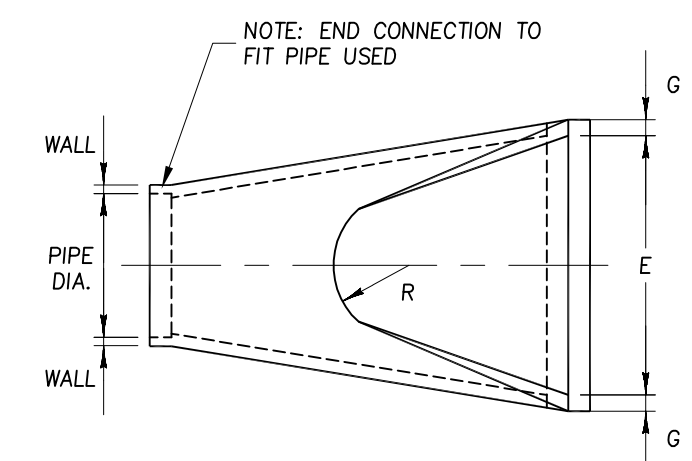
NOTES:  
 1. THRUST BLOCKING TO PREVENT MOVEMENT OF LINES UNDER PRESSURE AT BENDS, TEES, CAPS, VALVES, HYDRANTS, AND AT POINTS SPECIFIED BY THE ENGINEER AND SHALL BE CLASS SI CONCRETE A MINIMUM OF 12" THICK, PLACED BETWEEN SOLID GROUND AND FITTING. IT SHALL BE ANCHORED IN SUCH A MANNER THAT PIPE AND FITTING WILL BE ACCESSIBLE FOR REPAIRS. THRUST BLOCK SHALL BE PLACED AT BENDS 11 1/4 DEGREES OR MORE.  
 2. ALL THRUST BLOCKS ARE TO BE INSTALLED AGAINST UNDISTURBED EARTH.  
 3. ARROWS INDICATE DIRECTION OF THRUST.  
 4. ALL THRUST BLOCKS TO BE CONSTRUCTED WITH 3500 P.S.I. CLASS SI CONCRETE.  
 5. POURED CONCRETE SHALL EXTEND TO 6" ON EITHER SIDE OF THE WATERMAIN WALL.

**THRUST BLOCK INSTALLATION** N.T.S.

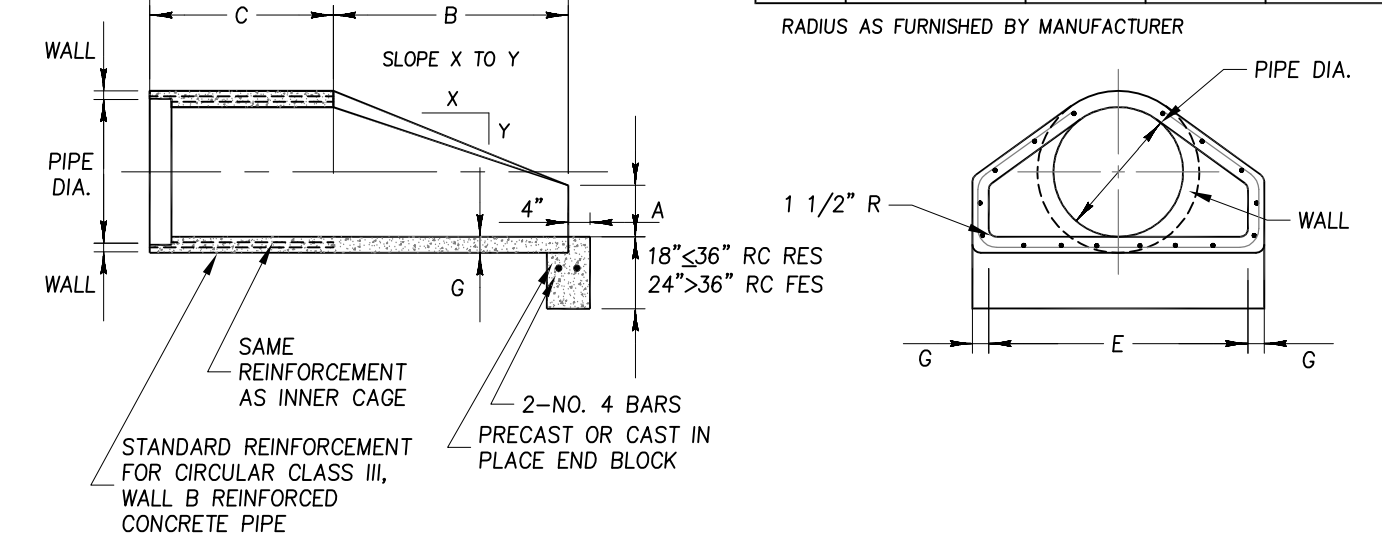


NOTES:  
 1. FOR ABS, ADS, OR PVC PIPE AN APPROVED MANHOLE SLEEVE SHALL BE USED TO ASSURE A WATER TIGHT CONNECTION BETWEEN PIPE AND MANHOLE WALL.  
 2. FOR 18" DIAMETER AND SMALLER PIPE USE 48" DIAMETER MANHOLE. FOR PIPE LARGER THAN 18", USE 60" DIAMETER MANHOLE.  
 3. PRECAST CONCRETE SHALL CONFORM TO ASTM C-478 FOR ALL MANHOLES.  
 4. FOR FRAME AND GRATE TYPES, SEE CALLOUTS ON ENGINEERING PLANS.

**MANHOLE (TYPE A)** N.T.S.



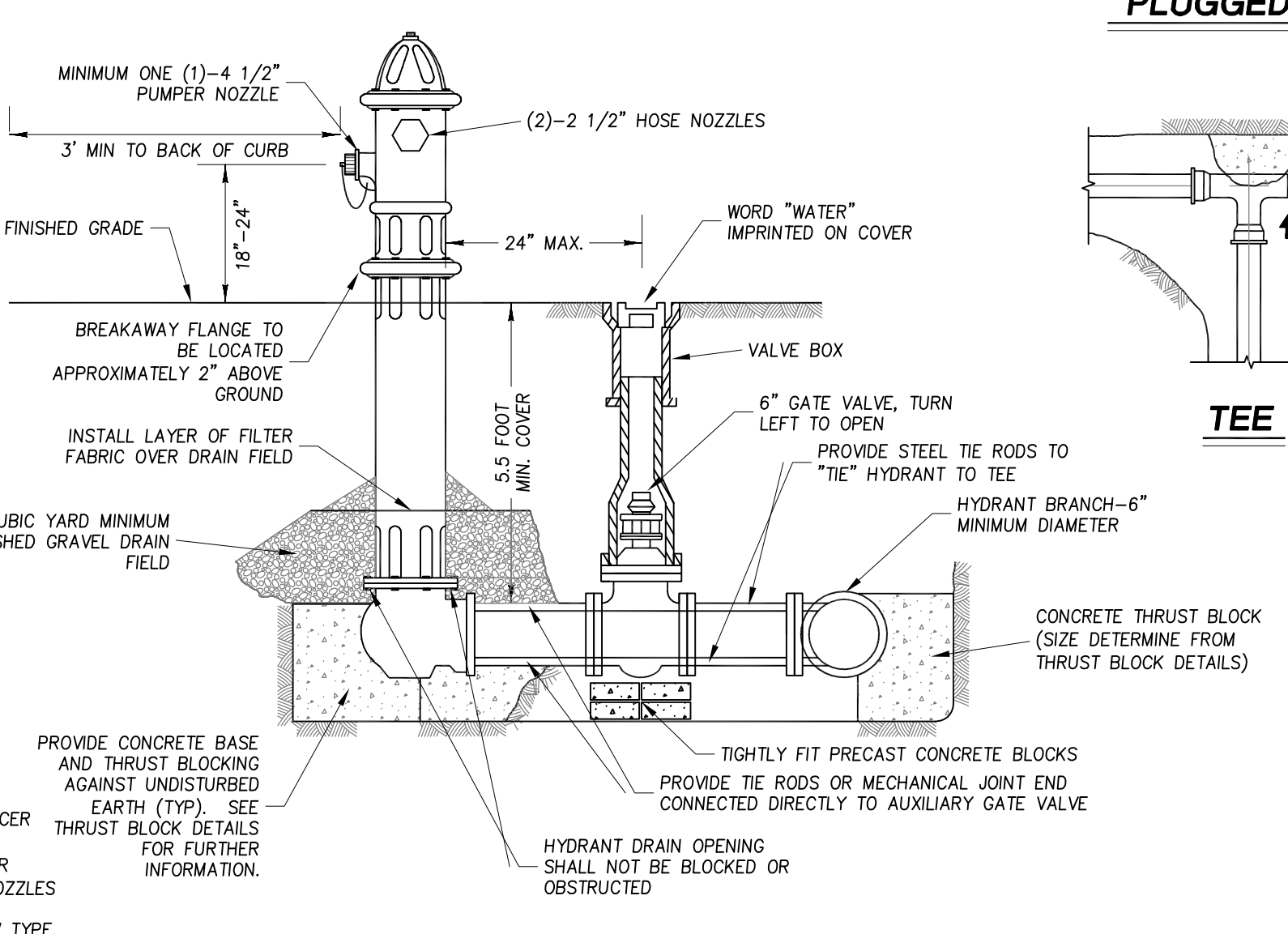
**MANHOLE (TYPE A)** N.T.S.



**PRECAST REINFORCED CONCRETE FLARED END SECTION** N.T.S.

| PIPE DIA. | APPROX. WT. (LBS.) | WALL   | A         | B          | C          | D         | E     | G      | R       | SLOPE |
|-----------|--------------------|--------|-----------|------------|------------|-----------|-------|--------|---------|-------|
| 12"       | 530                | 2"     | 4"        | 2'-0"      | 4'- 7/8"   | 6'- 7/8"  | 2'-0" | 2"     | 9"      | 3:1   |
| 15"       | 740                | 2 1/4" | 6"        | 2'-3"      | 3'-10"     | 6'-1"     | 2'-6" | 2 1/4" | 11"     | 3:1   |
| 18"       | 990                | 2 1/2" | 9"        | 2'-3"      | 3'-10"     | 6'-1"     | 3'-0" | 2 1/2" | 12"     | 3:1   |
| 21"       | 1280               | 2 3/4" | 9"        | 2'-11"     | 3'-2"      | 6'-1"     | 3'-6" | 2 3/4" | 13"     | 3:1   |
| 24"       | 1520               | 3"     | 9 1/2"    | 3'-7 1/2"  | 2'-8"      | 6'-1 1/2" | 4'-0" | 3"     | 14"     | 3:1   |
| 27"       | 1930               | 3 1/4" | 10 1/2"   | 4'-0"      | 2'-1 1/2"  | 6'-1 1/2" | 4'-6" | 3 1/4" | 14 1/2" | 3:1   |
| 30"       | 2190               | 3 1/2" | 1'-0"     | 4'-6"      | 1'-7 3/4"  | 6'-1 3/4" | 5'-0" | 3 1/2" | 15"     | 3:1   |
| 33"       | 3200               | 3 3/4" | 1'-1 1/2" | 4'-10 1/2" | 3'-3 3/4"  | 8'-1 3/4" | 5'-6" | 3 3/4" | 17 1/2" | 3:1   |
| 36"       | 4100               | 4"     | 1'-3"     | 5'-3"      | 2'-10 3/4" | 8'-1 3/4" | 6'-0" | 4"     | 20"     | 3:1   |
| 42"       | 5380               | 4 1/2" | 1'-9"     | 5'-3"      | 2'-11"     | 8'-2"     | 6'-6" | 4 1/2" | 22"     | 3:1   |
| 48"       | 6550               | 5"     | 2'-0"     | 6'-0"      | 2'-2"      | 8'-2"     | 7'-0" | 5"     | 22"     | 3:1   |
| 54"       | 8240               | 5 1/2" | 2'-3"     | 5'-5"      | 2'-11"     | 8'-4"     | 7'-6" | 5 1/2" | 24"     | 2.4:1 |

NOTE:  
 PRECAST CONCRETE FLARED END SECTIONS SHALL CONFORM TO APPLICABLE REQUIREMENTS OF A.A.S.H.T.O. M-170 CLASS III, WALL B REINFORCED CONCRETE PIPE.



**FIRE HYDRANT AND VALVE** N.T.S.

NOTES:  
 1. HYDRANT TO HAVE A BREAKAWAY FLANGE, 6" MINIMUM BARREL AND 5" OPERATING VALVE.  
 2. HYDRANT TO BE PAINTED VILLAGE STANDARD.  
 3. HYDRANT SHALL BE WATEROUS PACER MODEL WB-100 WITH A 5 1/4" VALVE OPENING, WITH ONE (1) 4 1/2" PUMPER NOZZLE AND TWO (2) 2 1/2" HOSE NOZZLES OR VILLAGE APPROVED EQUAL.  
 4. VALVE BOX TO BE 3-PIECE SCREW TYPE, 5 1/4" SHAFT WITH NO. 6 ROUND BASE MUELLER NO. H-10357 OR VILLAGE APPROVED EQUAL.

**ATWOOD SUBDIVISION**

FAIRVIEW AVENUE BETWEEN 66TH STR. AND 67TH CT. DOWNERS GROVE, ILLINOIS

| DETAILS            |                | DRAWN BY: SWL       | CHECKED BY: TRH |
|--------------------|----------------|---------------------|-----------------|
| SCALE: N.T.S.      | DATE: 12-01-11 |                     |                 |
| JOB NUMBER: 11-157 | SHEET: 4 OF 12 |                     |                 |
| #                  | DATE           | DESCRIPTION         |                 |
| 1                  | 01-16-2012     | REVISED PER VILLAGE |                 |
| 2                  | 02-07-2012     | REVISED PER VILLAGE |                 |
| 3                  |                |                     |                 |
| 4                  |                |                     |                 |
| 5                  |                |                     |                 |
| 6                  |                |                     |                 |
| 7                  |                |                     |                 |
| 8                  |                |                     |                 |



Consulting Civil Engineering  
 Land Planning & Surveying  
 1050 State Route 126  
 Plainfield, Illinois 60544  
 voice 815-254-0505  
 fax 815-436-5158

© Copyright, 2012 C. M. Lavoie & Associates, Inc. These plans are protected under the copyright laws of the United States and foreign countries, and are to be used only for the construction and/or repair of the Site Improvements as defined in the contract between the Engineer and the Owner. Any use of these plans, including details and specifications, to construct and/or repair additional items not described in these plans, constitutes a violation of the Engineer's copyright of these plans and is prohibited.



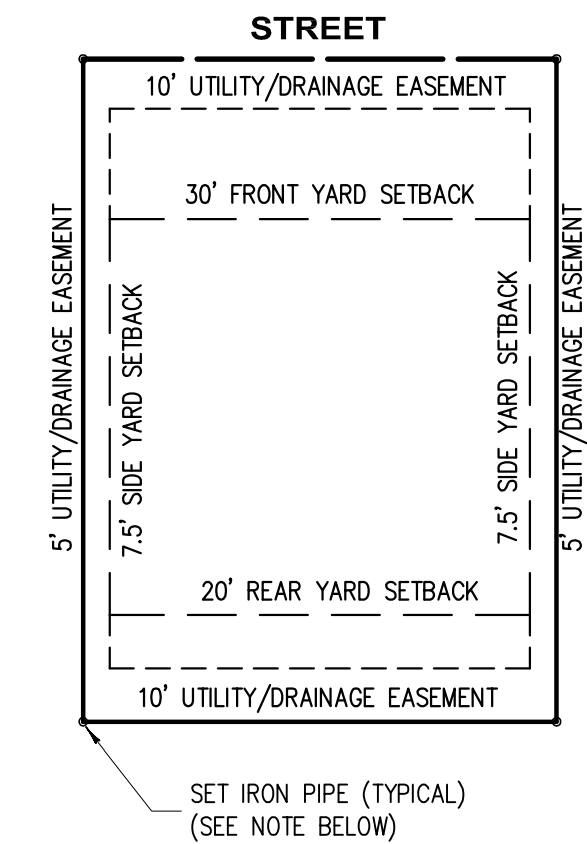






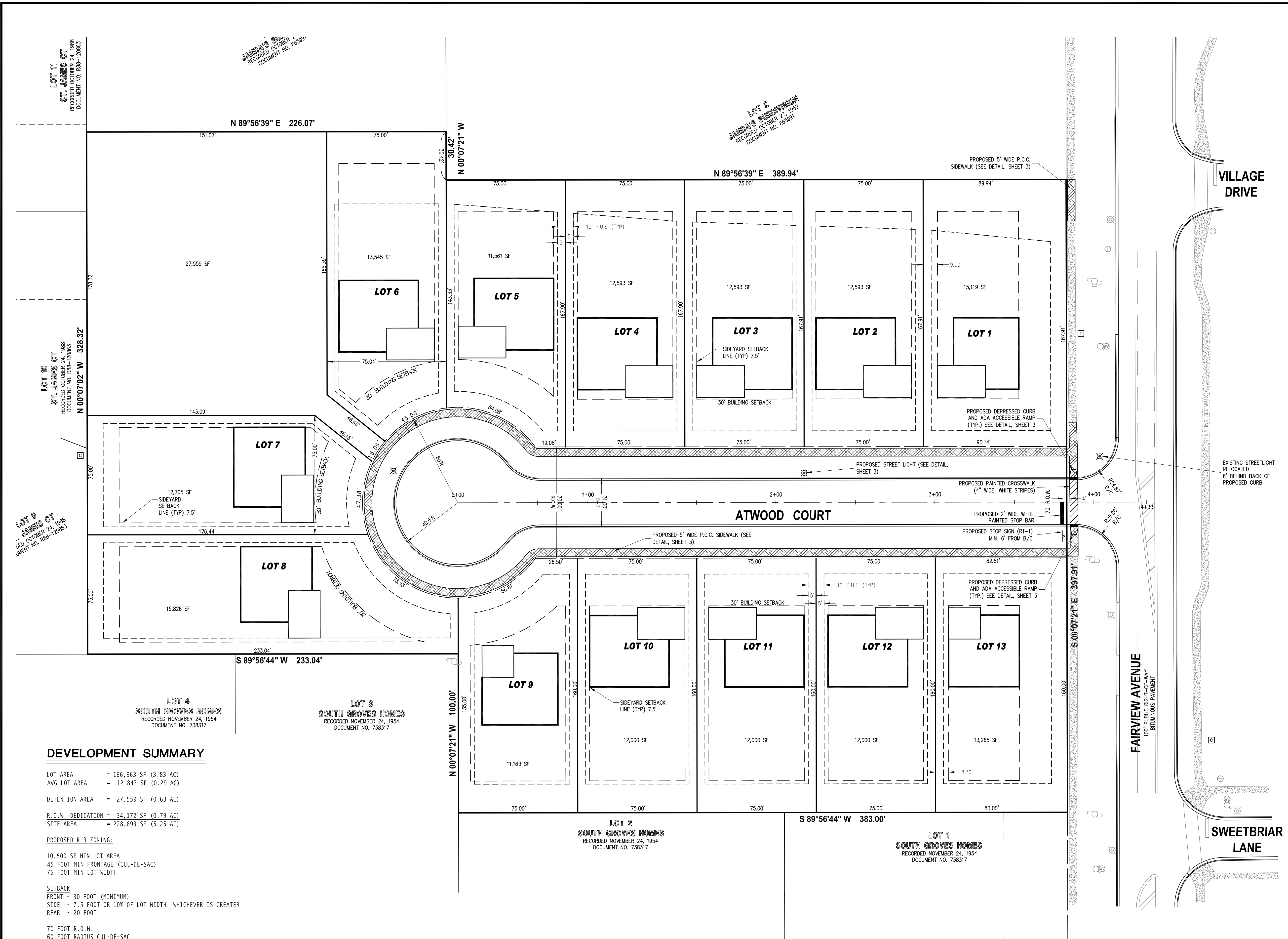
**LEGEND:**

- (0.00) RECORD INFORMATION
- 0.00 MEASURED INFORMATION
- BOUNDARY LINE
- LOT LINE
- - - SETBACK LINE
- - - EASEMENT LINE
- - - RIGHT OF WAY LINE
- - - SECTION LINE



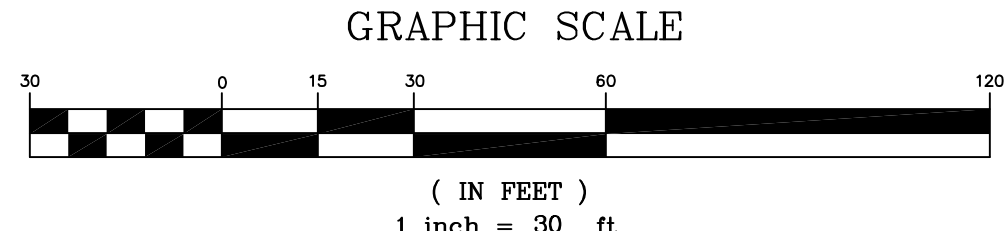
**TYPICAL LOT SETBACK/EASEMENT DIMENSIONS**  
 (SIDEYARD EASEMENTS ARE AS INDICATED ON THE HEREON DRAWN PLAN. IN AREAS WHERE THE SIDEYARD EASEMENT IS GREATER THAN 5 FEET THE SIDE YARD SETBACK SHALL COINCIDE WITH THE EASEMENT LINE) 10' EASEMENTS ALONG COMMON REAR LINES SHALL BE SHARED AT 5' EITHER SIDE OF THE COMMON LINE, EXCEPT WHERE NOTED. (IRON PIPE WILL BE SET AT ALL LOT CORNERS UPON COMPLETION OF FINAL GRADING)

- NOTES:**
- THE LOCATIONS OF EXISTING UNDERGROUND UTILITIES, SUCH AS WATER MAINS, SEWERS, GAS LINES, ELECTRIC LINES, TELEPHONE LINES, ETC., AS SHOWN ON THE PLANS HAVE BEEN DETERMINED FROM THE BEST AVAILABLE INFORMATION AND IS GIVEN FOR THE CONVENIENCE OF THE CONTRACTOR. HOWEVER, THE ENGINEER AND OWNER DO NOT ASSUME RESPONSIBILITY FOR THE ACCURACY OF THE LOCATIONS SHOWN. IT SHALL BE THE CONTRACTOR'S RESPONSIBILITY TO CONTACT ALL UTILITY COMPANIES AND THEIR FACILITIES SHALL BE LOCATED PRIOR TO ANY WORK.
  - EXISTING GRADES AND IMPROVEMENTS ARE SHOWN FROM THE BEST INFORMATION AVAILABLE AND MUST BE VERIFIED IN THE FIELD BY THE CONTRACTOR PRIOR TO THE START OF CONSTRUCTION. ANY DISCREPANCY WITH THE PLAN SHALL BE IMMEDIATELY REPORTED TO THE ENGINEER.
  - ALL DIMENSIONS ARE TO BACK OF CURB OR LOT CORNER, UNLESS OTHERWISE NOTED.
  - FOR ACCURATE BOUNDARY INFORMATION, SEE FINAL SUBDIVISION PLAN.
  - ALL PROPOSED STRIPING SHALL BE 4 INCH WIDE YELLOW PAINT UNLESS NOTED OTHERWISE.
  - ALL PROPOSED CURB SHOWN HEREON IS 66.12 BARRIER CURB AND GUTTER, UNLESS OTHERWISE NOTED.
  - DEPRESS ALL CURB & GUTTER WHERE PROPOSED P.C.C. SIDEWALK MEETS PROPOSED BACK OF CURB.
  - PARKWAY TREES SHALL BE PROVIDED AS REQUIRED PER VILLAGE ORDINANCE.
    - PARKWAY TREES SHALL BE PROVIDED AT FORTY (40) FEET INTERVALS, TEN (10) FEET AWAY FROM DRIVEWAYS, B-BOXES, HYDRANTS, GAS SERVICES, SANITARY LINES AND THIRTY-FIVE (35) FEET FROM INTERSECTIONS.
    - PARKWAY TREES SHALL BE PLACED MIDWAY BETWEEN THE CURB AND SIDEWALK.
    - PARKWAY TREES SHALL BE TWO (2) INCH CALIPER WITH STRAIGHT STEMS AND CROWN SHAPES TYPICAL OF THE SPECIES.
    - VILLAGE FORESTER SHALL DETERMINE APPROPRIATE PARKWAY TREE SPECIES.
    - THE DEVELOPER MAY OPT FOR A FEE-IN-LEU FOR THE VILLAGE TO PLANT THE REQUIRED PARKWAY TREES.
    - TWENTY (20) NEW PARKWAY TREES ARE REQUIRED IN THE PARKWAY OF THE PROPOSED ATWOOD COURT R.O.W.



**DEVELOPMENT SUMMARY**

- LOT AREA = 166,963 SF (3.83 AC)
- AVG LOT AREA = 12,843 SF (0.29 AC)
- DETENTION AREA = 27,559 SF (0.63 AC)
- R.O.W. DEDICATION = 34,172 SF (0.79 AC)
- SITE AREA = 228,693 SF (5.25 AC)
- PROPOSED R-3 ZONING:
- 10,500 SF MIN LOT AREA
- 45 FOOT MIN FRONTAGE (CUL-DE-SAC)
- 75 FOOT MIN LOT WIDTH
- SETBACK
- FRONT - 30 FOOT (MINIMUM)
- SIDE - 7.5 FOOT OR 10% OF LOT WIDTH, WHICHEVER IS GREATER
- REAR - 20 FOOT
- 70 FOOT R.O.W.
- 60 FOOT RADIUS CUL-DE-SAC



**BENCHMARK**  
 DUPAGE COUNTY BENCHMARK:  
 DGN07001 - BRONZE DISK IN CONCRETE BASE OF TRAFFIC CONTROL BOX AT THE NORTHWEST CORNER OF MAPLE AVENUE AND 55TH STREET.  
 ELEVATION...743.51' NGVD29

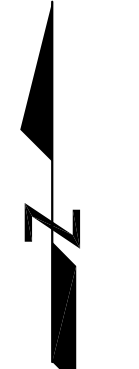
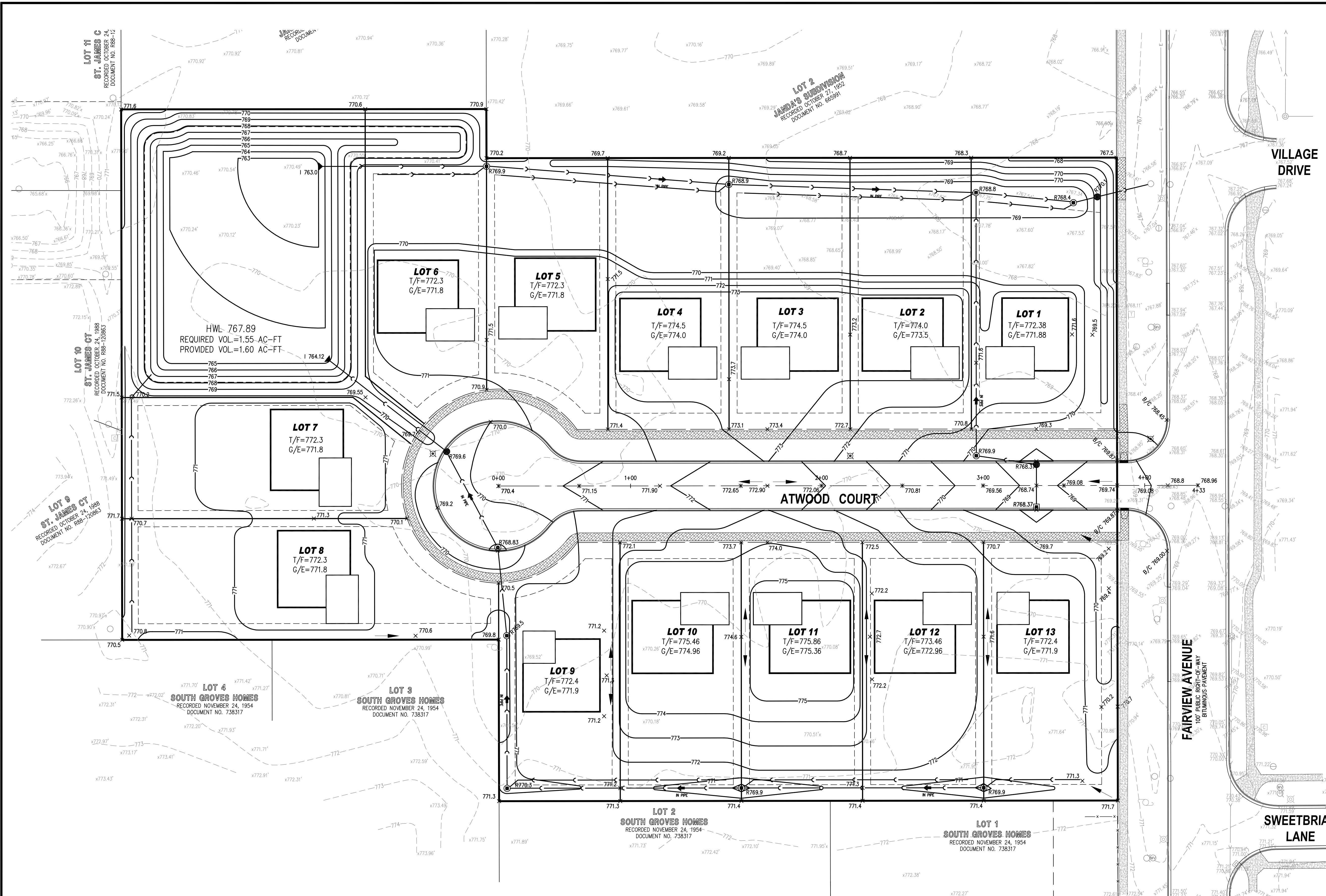
© Copyright, 2012 C. M. Lavoie & Associates, Inc.  
 These plans are protected under the copyright laws of the United States and foreign countries, and are to be used only for the construction and/or repair of the Site Improvements as defined in the contract between the Engineer and the Owner. Any use of these plans, including details and specifications, to construct and/or repair additional items not described in these plans, constitutes a violation of the Engineer's copyright of these plans and is prohibited.

**ATWOOD SUBDIVISION**  
 FAIRVIEW AVENUE BETWEEN 66TH STR. AND 67TH CT.  
 DOWNERS GROVE, ILLINOIS

|                    |            |                     |  |
|--------------------|------------|---------------------|--|
| DRAWN BY: SWL      |            | CHECKED BY: TRH     |  |
| SCALE: 1"=30'      |            | DATE: 12-01-11      |  |
| JOB NUMBER: 11-157 |            | SHEET: 7 OF 12      |  |
| #                  | DATE       | DESCRIPTION         |  |
| 1                  | 01-16-2012 | REVISED PER VILLAGE |  |
| 2                  | 02-07-2012 | REVISED PER VILLAGE |  |
| 3                  |            |                     |  |
| 4                  |            |                     |  |
| 5                  |            |                     |  |
| 6                  |            |                     |  |
| 7                  |            |                     |  |
| 8                  |            |                     |  |

**C.M. Lavoie & Associates, INC.**  
 Consulting Civil Engineering  
 Land Planning & Surveying  
 1050 State Route 126  
 Plainfield, Illinois 60544  
 voice 815-254-0505  
 fax 815-436-5158





**ELEVATION TABLE**  
 T/F=TOP OF FOUNDATION ELEVATION  
 L/O=LOOK OUT ELEVATION  
 G/E=GARAGE ENTRY ELEVATION  
 W/O=WALK OUT ELEVATION  
 D/S=DROP SIDING ELEVATION  
 R=RIM ELEVATION  
 F=HYDRANT FLANGE ELEVATION  
 I=INVERT ELEVATION

PROPOSED GRADES = 620.75 TOP OF CURB  
 620.25 FLOW LINE

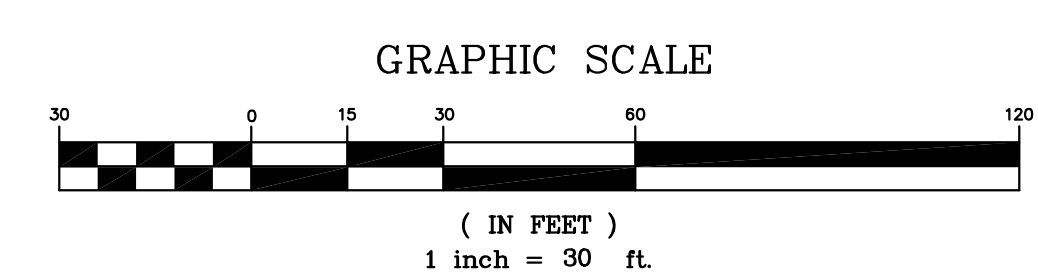
PROPOSED SPOT GRADES = 620.75  
 W/ FLOW LINES

EMERGENCY OVERLAND FLOW ROUTE

**ELEVATION CONVERSIONS**  
 TOP OF CURB = CENTERLINE + 0.13 FEET  
 FLOW LINE = CENTERLINE - 0.37 FEET  
 EDGE OF PAV. = CENTERLINE - 0.29 FEET  
 RIGHT OF WAY = CENTERLINE + 0.52 FEET

- NOTES:**
- THE LOCATIONS OF EXISTING UNDERGROUND UTILITIES, SUCH AS WATER MAINS, SEWERS, GAS LINES, ELECTRIC LINES, TELEPHONE LINES, ETC., AS SHOWN ON THE PLANS HAVE BEEN DETERMINED FROM THE BEST AVAILABLE INFORMATION AND IS GIVEN FOR THE CONVENIENCE OF THE CONTRACTOR. HOWEVER, THE ENGINEER AND OWNER DO NOT ASSUME RESPONSIBILITY FOR THE ACCURACY OF THE LOCATIONS SHOWN. IT SHALL BE THE CONTRACTOR'S RESPONSIBILITY TO CONTACT ALL UTILITY COMPANIES AND THEIR FACILITIES SHALL BE LOCATED PRIOR TO ANY WORK.
  - EXISTING GRADES AND IMPROVEMENTS ARE SHOWN FROM THE BEST INFORMATION AVAILABLE AND MUST BE VERIFIED IN THE FIELD BY THE CONTRACTOR PRIOR TO THE START OF CONSTRUCTION. ANY DISCREPANCY WITH THE PLAN SHALL BE IMMEDIATELY REPORTED TO THE ENGINEER.
  - PRIOR TO THE START OF CONSTRUCTION, THE CONTRACTOR SHALL EXPOSE ANY UTILITIES OR OTHER OBSTRUCTIONS TO BE CROSSED BY THE PROPOSED SEWER, AND SHALL NOTIFY THE ENGINEER IMMEDIATELY IF THERE ARE ANY CONFLICTS WITH THE PROPOSED SEWER GRADE.
  - ALL RIM ELEVATIONS OF STORM STRUCTURES LOCATED IN CURB & GUTTER ARE TO FLOWLINE UNLESS NOTED.
  - COMPACTION OF THE PROPOSED BERM SHALL BE TO AT LEAST 95% OF THE STANDARD PROCTOR DRY DENSITY, ASTM 698.
  - CONTRACTOR TO STOCKPILE 1,500-2,000 CUBIC YARDS OF TOPSOIL ON THE REAR OF LOTS 10 AND 11 TO BE HAULED OFF BY OWNER.

**BENCHMARK**  
 DUPAGE COUNTY BENCHMARK:  
 DCN07001 - BRONZE DISK IN CONCRETE BASE OF  
 TRAFFIC CONTROL BOX AT THE NORTHWEST CORNER  
 OF MAPLE AVENUE AND 55TH STREET.  
 ELEVATION...743.51' NGVD29



**DETENTION VOLUME**

| ELEVATION (FT) | AREA (Square Feet) | A1+A2+Sqrt (A1*A2) (Acres) | VOLUME (AC-FT) | VOLUME SUM (AC-FT) | DISCHARGE* (CFS) |
|----------------|--------------------|----------------------------|----------------|--------------------|------------------|
| 762.54         | 3                  | 0.00                       | 0.00           | 0                  | 0                |
| 763.00         | 2,219              | 0.05                       | 0.01           | 0.01               | 0.43             |
| 764.00         | 8,891              | 0.20                       | 0.12           | 0.13               | 1.23             |
| 765.00         | 14,003             | 0.32                       | 0.26           | 0.39               | 2.03             |
| 766.00         | 16,111             | 0.37                       | 0.35           | 0.73               | 3.22             |
| 767.00         | 18,895             | 0.43                       | 0.40           | 1.13               | 3.98             |
| 767.89         | 21,334             | 0.48                       | 0.41           | 1.55               | 4.51             |
| 768.00         | 21,635             | 0.48                       | 0.05           | 1.60               | 4.57             |
| 769.00         | 24,542             | 0.56                       | 0.53           | 2.13               | 5.1              |

\*DISCHARGE RATES TAKEN FROM PONDPACK OUTPUT

VOLUME = (1/3) \* (EL2 - EL1) \* (A1 + A2 + Sqrt (A1 \* A2))  
 EL1, EL2 = Lower and upper elevations of the increment  
 A1, A2 = Areas computed for EL1 and EL2  
 Volume = Incremental volume between EL1 and EL2

© Copyright, 2012 C. M. Lavoie & Associates, Inc.  
 These plans are protected under the copyright laws of the United States and foreign countries, and are to be used only for the construction and/or repair of the Site Improvements as defined in the contract between the Engineer and the Owner. Any use of these plans, including details and specifications, to construct and/or repair additional items not described in these plans, constitutes a violation of the Engineer's copyright of these plans and is prohibited.

**ATWOOD SUBDIVISION**  
 FAIRVIEW AVENUE BETWEEN 66TH STR. AND 67TH CT.  
 DOWNERS GROVE, ILLINOIS

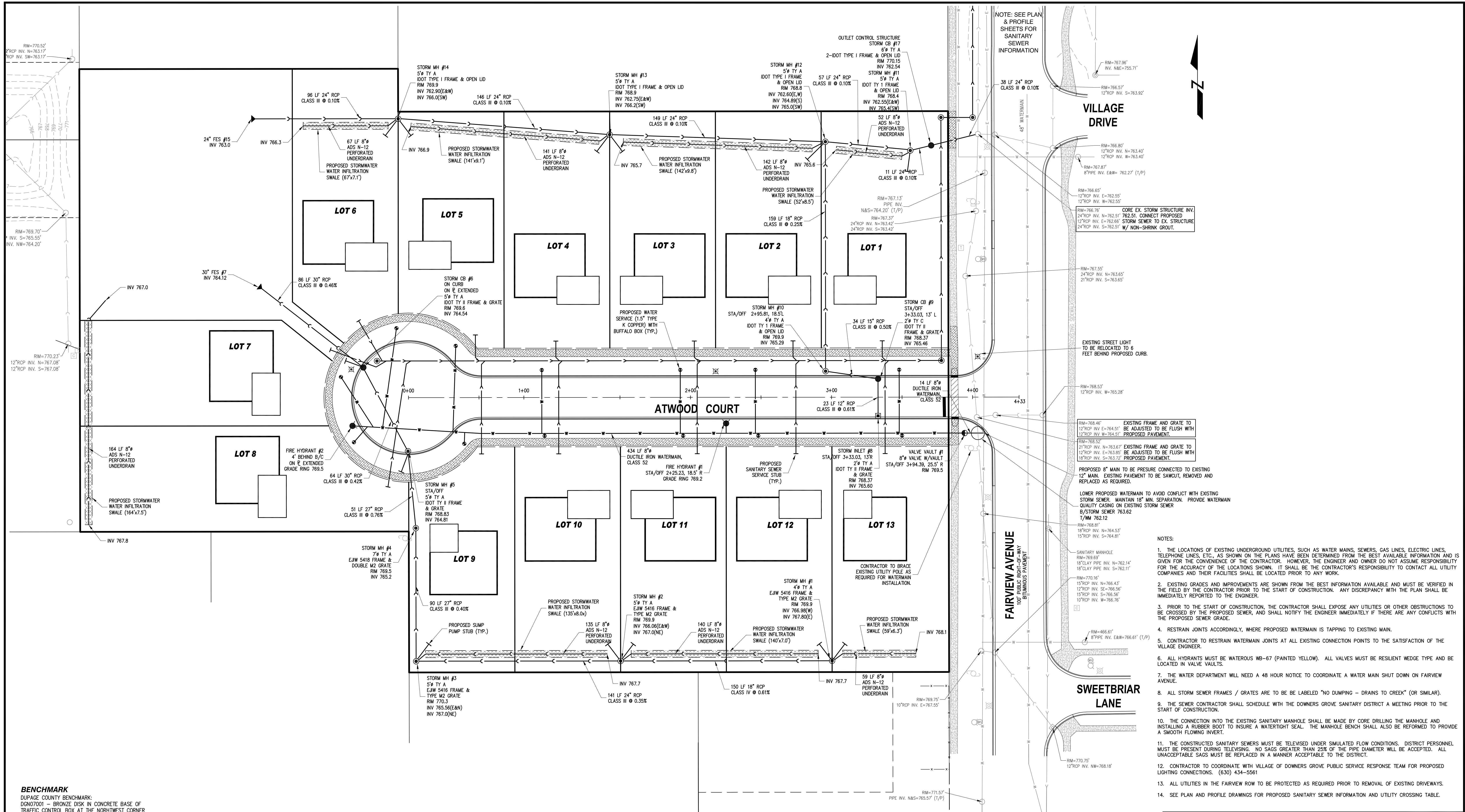
**GRADING PLAN**

DRAWN BY: SWL      CHECKED BY: TRH  
 SCALE: 1"=30'      DATE: 12-01-11  
 JOB NUMBER: 11-157      SHEET: 8 OF 12

Consulting Civil Engineering  
 Land Planning & Surveying  
 1050 State Route 126  
 Plainfield, Illinois 60544  
 voice 815-254-0505  
 fax 815-436-5158

| # | DATE       | DESCRIPTION         |
|---|------------|---------------------|
| 1 | 01-16-2012 | REVISED PER VILLAGE |
| 2 | 02-07-2012 | REVISED PER VILLAGE |
| 3 |            |                     |
| 4 |            |                     |
| 5 |            |                     |
| 6 |            |                     |
| 7 |            |                     |
| 8 |            |                     |

**C.M. Lavoie & Associates, Inc.**



NOTE: SEE PLAN & PROFILE SHEETS FOR SANITARY SEWER INFORMATION

VILLAGE DRIVE

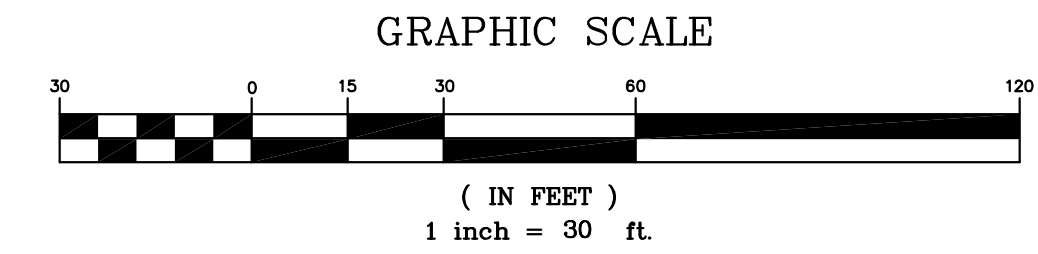
ATWOOD COURT

FAIRVIEW AVENUE  
100' PUBLIC RIGHT-OF-WAY  
BITUMINOUS PAVEMENT

SWEETBRIAR LANE

- NOTES:
1. THE LOCATIONS OF EXISTING UNDERGROUND UTILITIES, SUCH AS WATER MAINS, SEWERS, GAS LINES, ELECTRIC LINES, TELEPHONE LINES, ETC., AS SHOWN ON THE PLANS HAVE BEEN DETERMINED FROM THE BEST AVAILABLE INFORMATION AND IS GIVEN FOR THE CONVENIENCE OF THE CONTRACTOR. HOWEVER, THE ENGINEER AND OWNER DO NOT ASSUME RESPONSIBILITY FOR THE ACCURACY OF THE LOCATIONS SHOWN. IT SHALL BE THE CONTRACTOR'S RESPONSIBILITY TO CONTACT ALL UTILITY COMPANIES AND THEIR FACILITIES SHALL BE LOCATED PRIOR TO ANY WORK.
  2. EXISTING GRADES AND IMPROVEMENTS ARE SHOWN FROM THE BEST INFORMATION AVAILABLE AND MUST BE VERIFIED IN THE FIELD BY THE CONTRACTOR PRIOR TO THE START OF CONSTRUCTION. ANY DISCREPANCY WITH THE PLAN SHALL BE IMMEDIATELY REPORTED TO THE ENGINEER.
  3. PRIOR TO THE START OF CONSTRUCTION, THE CONTRACTOR SHALL EXPOSE ANY UTILITIES OR OTHER OBSTRUCTIONS TO BE CROSSED BY THE PROPOSED SEWER, AND SHALL NOTIFY THE ENGINEER IMMEDIATELY IF THERE ARE ANY CONFLICTS WITH THE PROPOSED SEWER GRADE.
  4. RESTRAIN JOINTS ACCORDINGLY, WHERE PROPOSED WATERMAIN IS TAPPING TO EXISTING MAIN.
  5. CONTRACTOR TO RESTRAIN WATERMAIN JOINTS AT ALL EXISTING CONNECTION POINTS TO THE SATISFACTION OF THE VILLAGE ENGINEER.
  6. ALL HYDRANTS MUST BE WATEROUS W-67 (PAINTED YELLOW). ALL VALVES MUST BE RESILIENT WEDGE TYPE AND BE LOCATED IN VALVE VAULTS.
  7. THE WATER DEPARTMENT WILL NEED A 48 HOUR NOTICE TO COORDINATE A WATER MAIN SHUT DOWN ON FAIRVIEW AVENUE.
  8. ALL STORM SEWER FRAMES / GRATES ARE TO BE LABELED "NO DUMPING - DRAINS TO CREEK" (OR SIMILAR).
  9. THE SEWER CONTRACTOR SHALL SCHEDULE WITH THE DOWNERS GROVE SANITARY DISTRICT A MEETING PRIOR TO THE START OF CONSTRUCTION.
  10. THE CONNECTION INTO THE EXISTING SANITARY MANHOLE SHALL BE MADE BY CORE DRILLING THE MANHOLE AND INSTALLING A RUBBER BOOT TO INSURE A WATERTIGHT SEAL. THE MANHOLE BENCH SHALL ALSO BE REFORMED TO PROVIDE A SMOOTH FLOWING INVERT.
  11. THE CONSTRUCTED SANITARY SEWERS MUST BE TELEVIEWED UNDER SIMULATED FLOW CONDITIONS. DISTRICT PERSONNEL MUST BE PRESENT DURING TELEVIEWING. NO SAGS GREATER THAN 25% OF THE PIPE DIAMETER WILL BE ACCEPTED. ALL UNACCEPTABLE SAGS MUST BE REPLACED IN A MANNER ACCEPTABLE TO THE DISTRICT.
  12. CONTRACTOR TO COORDINATE WITH VILLAGE OF DOWNERS GROVE PUBLIC SERVICE RESPONSE TEAM FOR PROPOSED LIGHTING CONNECTIONS. (630) 434-5561
  13. ALL UTILITIES IN THE FAIRVIEW ROW TO BE PROTECTED AS REQUIRED PRIOR TO REMOVAL OF EXISTING DRIVEWAYS.
  14. SEE PLAN AND PROFILE DRAWINGS FOR PROPOSED SANITARY SEWER INFORMATION AND UTILITY CROSSING TABLE.

**BENCHMARK**  
DUPAGE COUNTY BENCHMARK:  
DGN07001 - BRONZE DISK IN CONCRETE BASE OF  
TRAFFIC CONTROL BOX AT THE NORTHWEST CORNER  
OF MAPLE AVENUE AND 55TH STREET.  
ELEVATION...743.51' NGVD29



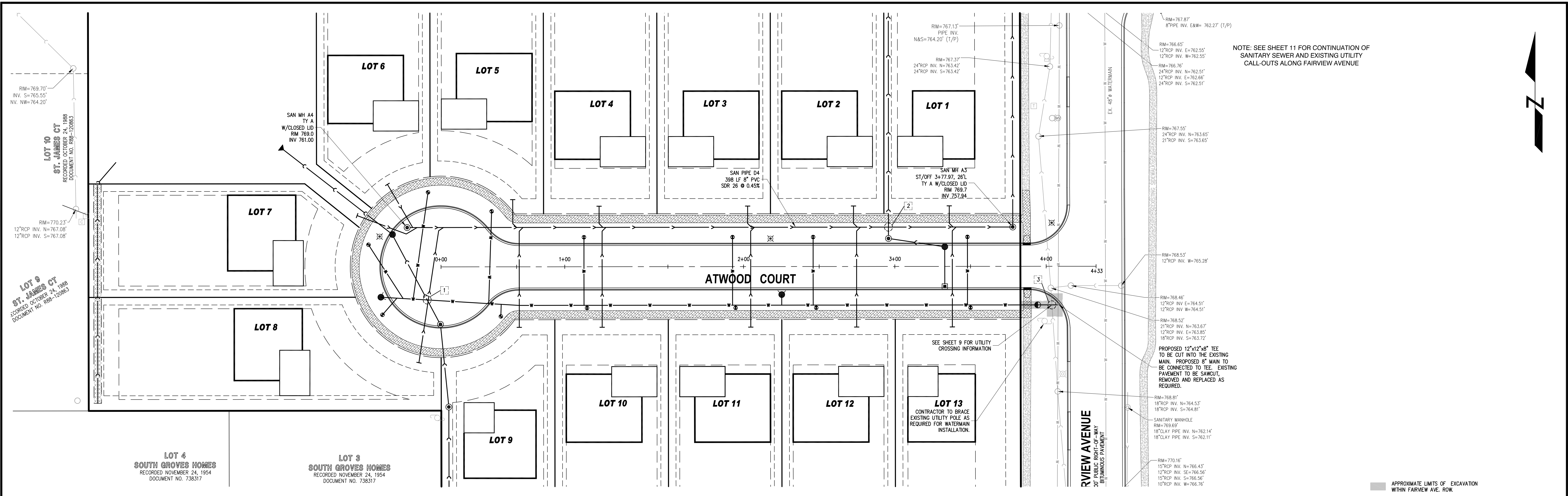
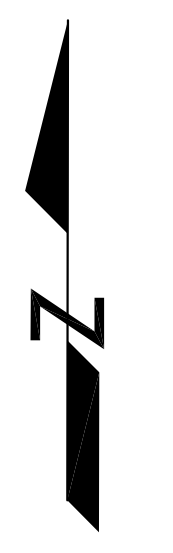
© Copyright, 2012 C. M. Lavoie & Associates, Inc.  
These plans are protected under the copyright laws of the United States and foreign countries, and are to be used only for the construction and/or repair of the Site Improvements as defined in the contract between the Engineer and the Owner. Any use of these plans, including details and specifications, to construct and/or repair additional items not described in these plans, constitutes a violation of the Engineer's copyright of these plans and is prohibited.

**ATWOOD SUBDIVISION**  
FAIRVIEW AVENUE BETWEEN 66TH STR. AND 67TH CT.  
DOWNERS GROVE, ILLINOIS

|                    |            |                     |  |
|--------------------|------------|---------------------|--|
| DRAWN BY: SWL      |            | CHECKED BY: TRH     |  |
| SCALE: 1"=30'      |            | DATE: 12-01-11      |  |
| JOB NUMBER: 11-157 |            | SHEET: 9 OF 12      |  |
| #                  | DATE       | DESCRIPTION         |  |
| 1                  | 01-16-2012 | REVISED PER VILLAGE |  |
| 2                  | 02-07-2012 | REVISED PER VILLAGE |  |
| 3                  |            |                     |  |
| 4                  |            |                     |  |
| 5                  |            |                     |  |
| 6                  |            |                     |  |
| 7                  |            |                     |  |
| 8                  |            |                     |  |

**C.M. Lavoie & Associates, Inc.**  
Consulting Civil Engineering  
Land Planning & Surveying  
1050 State Route 126  
Plainfield, Illinois 60544  
voice 815-254-0505  
fax 815-436-5158

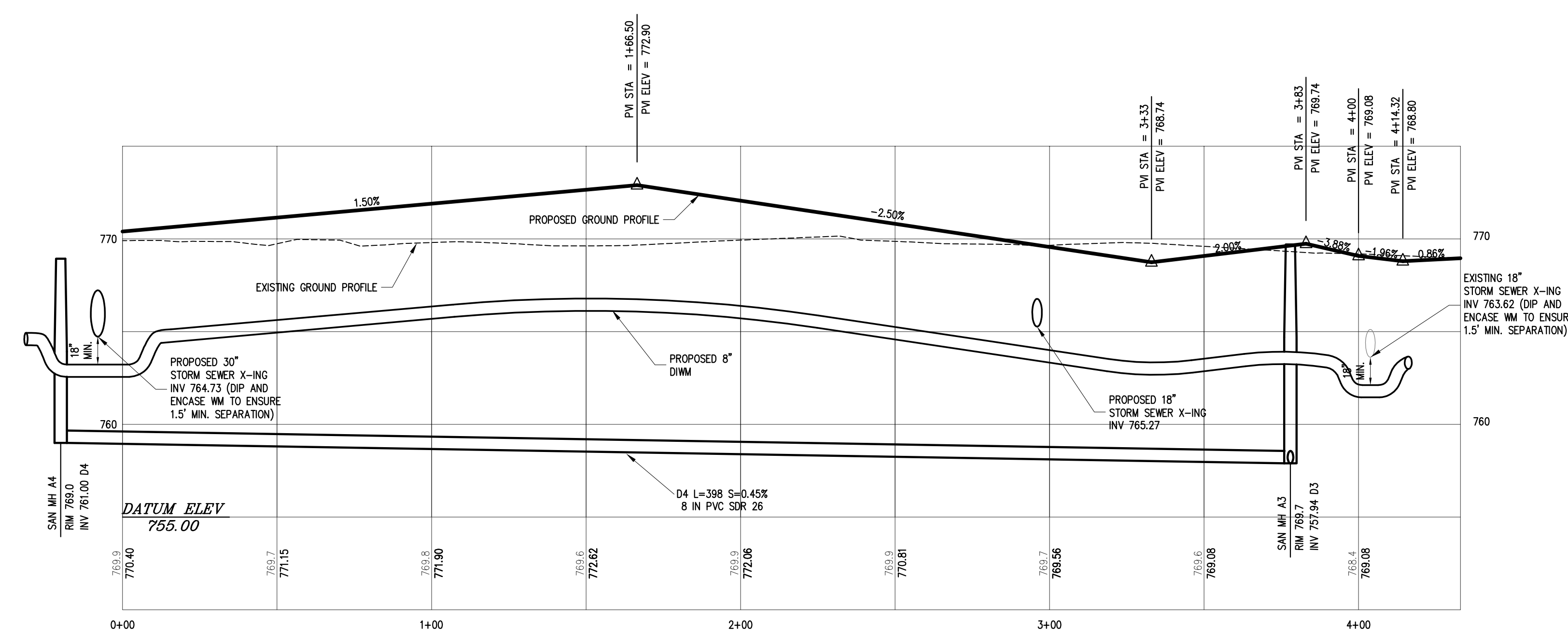




UTILITY SEPARATION INFORMATION

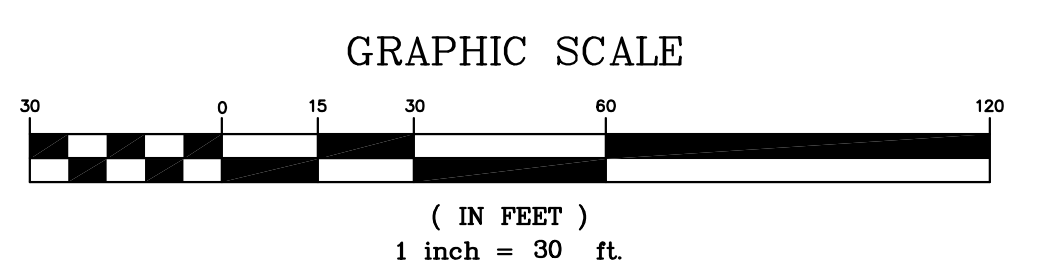
1. MAINTAIN 18" MINIMUM SEPARATION BETWEEN WATERMAIN AND STORM AND SANITARY SEWERS.
2. WHENEVER A SANITARY SEWER IS LOCATED ABOVE A WATERMAIN, THE WATERMAIN SHALL BE ENCASED 10 FEET EITHER SIDE OF CROSSING.

| NUMBER | TOP OF SAN | SAN INVERT | TOP OF STORM | STORM INVERT | TOP OF WATER | WATER INVERT | CROSSING INFO |
|--------|------------|------------|--------------|--------------|--------------|--------------|---------------|
| 1      | 759.81     | 753.31     | 766.77       | 765.27       | 767.23       | 762.55       | DIP WM        |
| 2      | 759.81     | 753.31     | 766.77       | 765.27       | 767.23       | 762.55       | OKAY          |
| 3      | 759.81     | 753.31     | 766.77       | 765.27       | 767.23       | 762.55       | DIP WM        |



- NOTES:
1. THE LOCATIONS OF EXISTING UNDERGROUND UTILITIES, SUCH AS WATER MAINS, SEWERS, GAS LINES, ELECTRIC LINES, TELEPHONE LINES, ETC., AS SHOWN ON THE PLANS HAVE BEEN DETERMINED FROM THE BEST AVAILABLE INFORMATION AND IS GIVEN FOR THE CONVENIENCE OF THE CONTRACTOR. HOWEVER, THE ENGINEER AND OWNER DO NOT ASSUME RESPONSIBILITY FOR THE ACCURACY OF THE LOCATIONS SHOWN. IT SHALL BE THE CONTRACTOR'S RESPONSIBILITY TO CONTACT ALL UTILITY COMPANIES AND THEIR FACILITIES SHALL BE LOCATED PRIOR TO ANY WORK.
  2. EXISTING GRADES AND IMPROVEMENTS ARE SHOWN FROM THE BEST INFORMATION AVAILABLE AND MUST BE VERIFIED IN THE FIELD BY THE CONTRACTOR PRIOR TO THE START OF CONSTRUCTION. ANY DISCREPANCY WITH THE PLAN SHALL BE IMMEDIATELY REPORTED TO THE ENGINEER.
  3. PRIOR TO THE START OF CONSTRUCTION, THE CONTRACTOR SHALL EXPOSE ANY UTILITIES OR OTHER OBSTRUCTIONS TO BE CROSSED BY THE PROPOSED SEWER, AND SHALL NOTIFY THE ENGINEER IMMEDIATELY IF THERE ARE ANY CONFLICTS WITH THE PROPOSED SEWER GRADE.
  4. SEE UTILITY PLAN FOR PROPOSED WATERMAIN STRUCTURE INFORMATION.
  5. SEE SHEET 2 AND SHEET 5 FOR ADDITIONAL DOWNERS GROVE SANITARY DISTRICT NOTES AND DETAILS.

**BENCHMARK**  
 DUPAGE COUNTY BENCHMARK:  
 DND07001 - BRONZE DISK IN CONCRETE BASE OF  
 TRAFFIC CONTROL BOX AT THE NORTHWEST CORNER  
 OF MAPLE AVENUE AND 55TH STREET.  
 ELEVATION...743.51' NGVD29



© Copyright, 2012 C. M. Lavoie & Associates, Inc.  
 These plans are protected under the copyright laws of the United States and foreign countries, and are to be used only for the construction and/or repair of the Site Improvements as defined in the contract between the Engineer and the Owner. Any use of these plans, including details and specifications, to construct and/or repair additional items not described in these plans, constitutes a violation of the Engineer's copyright of these plans and is prohibited.

**ATWOOD SUBDIVISION**  
 FAIRVIEW AVENUE BETWEEN 66TH STR. AND 67TH CT.  
 DOWNERS GROVE, ILLINOIS

|                    |                 |
|--------------------|-----------------|
| DRAWN BY: SWL      | CHECKED BY: TRH |
| SCALE: 1"=30'      | DATE: 12-01-11  |
| JOB NUMBER: 11-157 | SHEET: 10 OF 12 |

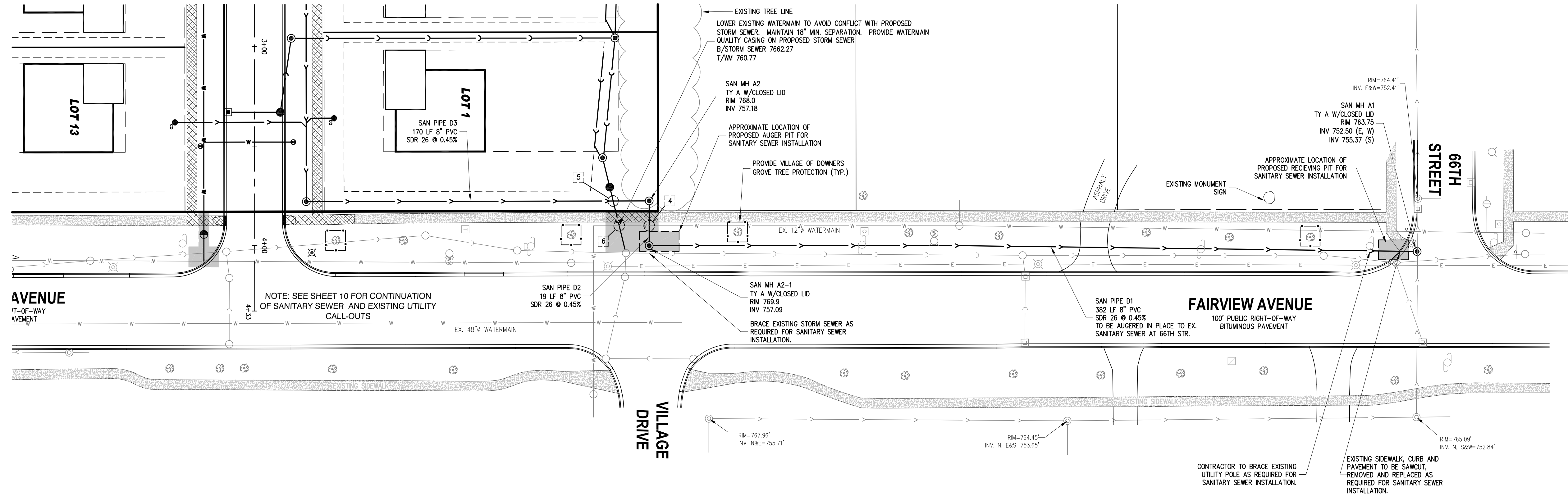
Consulting Civil Engineering  
 Land Planning & Surveying  
 1050 State Route 126  
 Plainfield, Illinois 60544  
 voice 815-254-0505  
 fax 815-436-5158

**CM**  
 C.M. Lavoie & Associates, INC.

| # | DATE       | DESCRIPTION         |
|---|------------|---------------------|
| 1 | 01-16-2012 | REVISED PER VILLAGE |
| 2 | 02-07-2012 | REVISED PER VILLAGE |
| 3 |            |                     |
| 4 |            |                     |
| 5 |            |                     |
| 6 |            |                     |
| 7 |            |                     |
| 8 |            |                     |

SCALE:  
 1"=30' V  
 1"=5' H

NOTE: SEE UTILITY PLAN SHEET 9 FOR ONSITE UTILITY INFORMATION

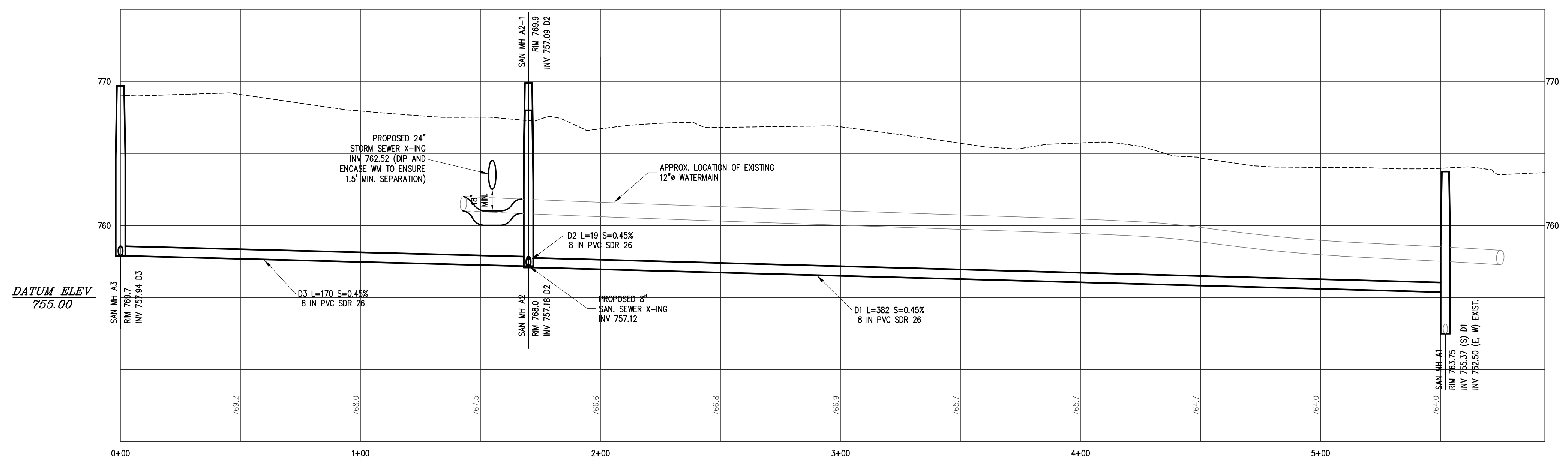


APPROXIMATE LIMITS OF EXCAVATION WITHIN FAIRVIEW AVE. ROW.

UTILITY SEPARATION INFORMATION

1. MAINTAIN 18" MINIMUM SEPARATION BETWEEN WATERMAIN AND STORM AND SANITARY SEWERS.
2. WHENEVER A SANITARY SEWER IS LOCATED ABOVE A WATERMAIN, THE WATERMAIN SHALL BE ENCASED 10 FEET EITHER SIDE OF CROSSING.

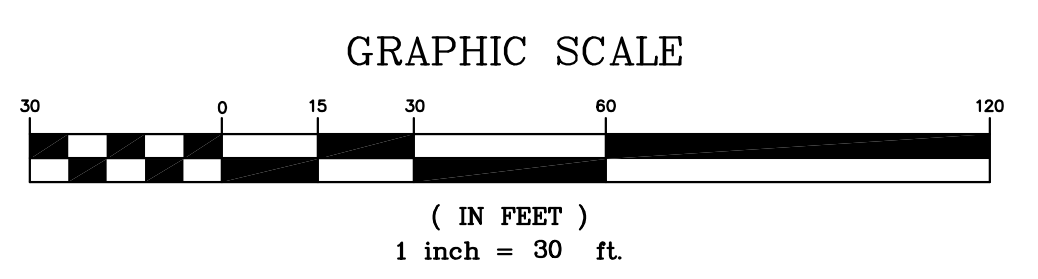
| NUMBER | TOP OF SAN | SAN INVERT | TOP OF STORM | STORM INVERT | TOP OF WATER | WATER INVERT | CROSSING INFO |
|--------|------------|------------|--------------|--------------|--------------|--------------|---------------|
| 4      | 757.79     | 757.12     | .....        | .....        | 761.85(EX)   | 760.85(EX)   | OKAY          |
| 5      | 757.94     | 757.25     | .....        | .....        | 762.53       | 760.77(PR)   | OKAY          |
| 6      |            |            |              |              |              |              | DIP WM        |



NOTES:

1. THE LOCATIONS OF EXISTING UNDERGROUND UTILITIES, SUCH AS WATER MAINS, SEWERS, GAS LINES, ELECTRIC LINES, TELEPHONE LINES, ETC., AS SHOWN ON THE PLANS HAVE BEEN DETERMINED FROM THE BEST AVAILABLE INFORMATION AND IS GIVEN FOR THE CONVENIENCE OF THE CONTRACTOR. HOWEVER, THE ENGINEER AND OWNER DO NOT ASSUME RESPONSIBILITY FOR THE ACCURACY OF THE LOCATIONS SHOWN. IT SHALL BE THE CONTRACTOR'S RESPONSIBILITY TO CONTACT ALL UTILITY COMPANIES AND THEIR FACILITIES SHALL BE LOCATED PRIOR TO ANY WORK.
2. EXISTING GRADES AND IMPROVEMENTS ARE SHOWN FROM THE BEST INFORMATION AVAILABLE AND MUST BE VERIFIED IN THE FIELD BY THE CONTRACTOR PRIOR TO THE START OF CONSTRUCTION. ANY DISCREPANCY WITH THE PLAN SHALL BE IMMEDIATELY REPORTED TO THE ENGINEER.
3. PRIOR TO THE START OF CONSTRUCTION, THE CONTRACTOR SHALL EXPOSE ANY UTILITIES OR OTHER OBSTRUCTIONS TO BE CROSSED BY THE PROPOSED SEWER, AND SHALL NOTIFY THE ENGINEER IMMEDIATELY IF THERE ARE ANY CONFLICTS WITH THE PROPOSED SEWER GRADE.
4. SEE UTILITY PLAN FOR PROPOSED WATERMAIN STRUCTURE INFORMATION.
5. SEE SHEET 2 AND SHEET 5 FOR ADDITIONAL DOWNERS GROVE SANITARY DISTRICT NOTES AND DETAILS.
6. PARKWAY TREE ROOT PRUNING, TREE REMOVAL OR TREE REPLACEMENT TO BE COORDINATED WITH VILLAGE ARBORIST. ANY PARKWAY TREE THAT IS NOT BEING REMOVED SHALL HAVE THE APPROPRIATE PROTECTION MEASURES INSTALLED. SEE "EXISTING CONDITIONS AND DEMOLITION PLAN", SHEET 6, FOR TREE REMOVAL.
7. ALL PARKWAYS DISTURBED DURING CONSTRUCTION TO BE RESTORED TO VILLAGE SPECIFICATIONS WITH SOD.
8. INFORMATION REGARDING THE 48" DIAMETER WATERMAIN IN FAIRVIEW AVENUE PROVIDED BY DUPAGE WATER COMMISSION.

**BENCHMARK**  
 DUPAGE COUNTY BENCHMARK:  
 D6ND0701 - BRONZE DISK IN CONCRETE BASE OF  
 TRAFFIC CONTROL BOX AT THE NORTHWEST CORNER  
 OF MAPLE AVENUE AND 55TH STREET.  
 ELEVATION...743.51' NGVD29



© Copyright, 2012 C. M. Lavoie & Associates, Inc.  
 These plans are protected under the copyright laws of the United States and foreign countries, and are to be used only for the construction and/or repair of the Site Improvements as defined in the contract between the Engineer and the Owner. Any use of these plans, including details and specifications, to construct and/or repair additional items not described in these plans, constitutes a violation of the Engineer's copyright of these plans and is prohibited.

**ATWOOD SUBDIVISION**

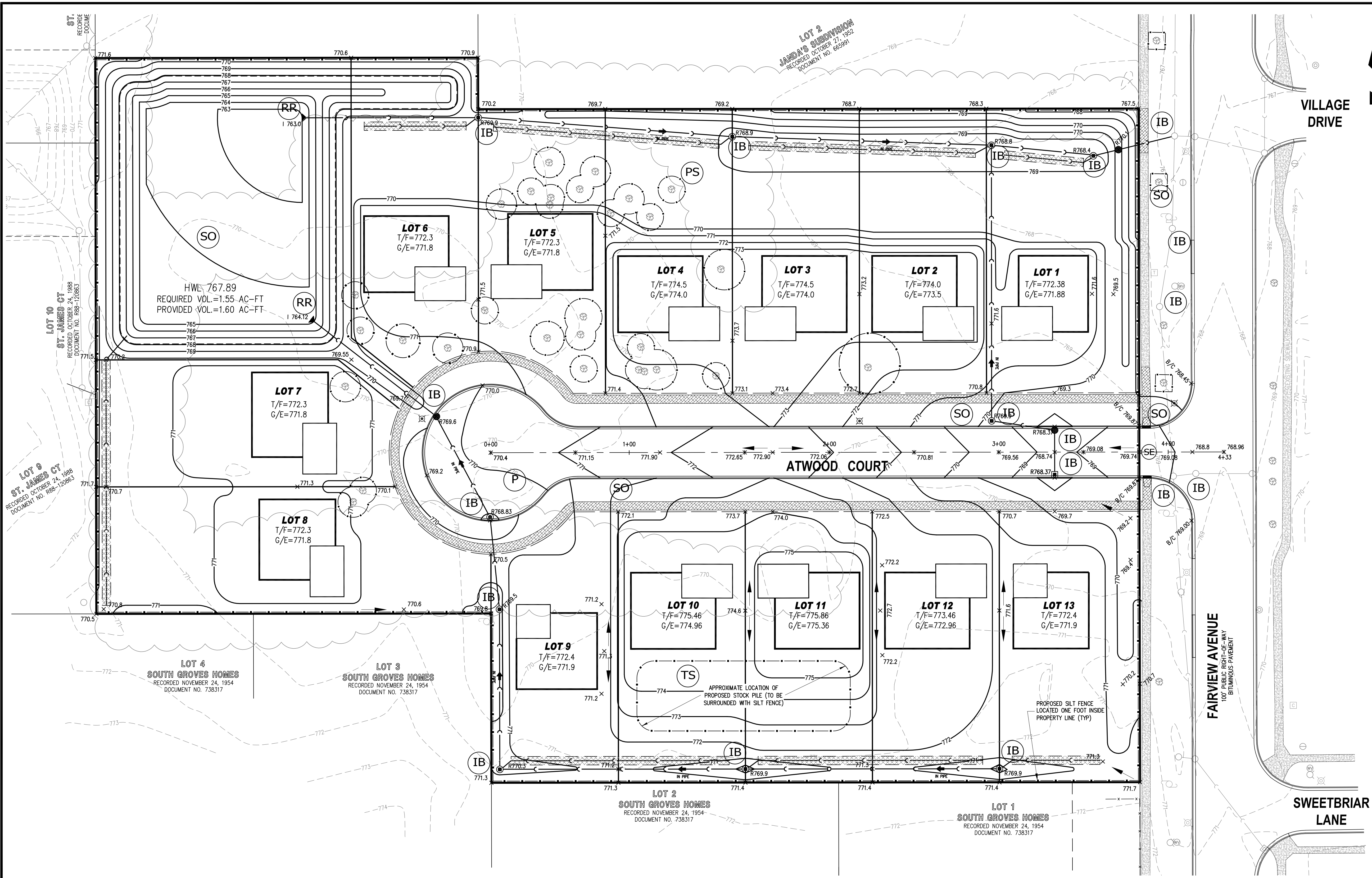
FAIRVIEW AVENUE BETWEEN 66TH STR. AND 67TH CT.  
 DOWNERS GROVE, ILLINOIS

| <b>PLAN &amp; PROFILE</b> |            | DRAWN BY: SWL       | CHECKED BY: TRH |
|---------------------------|------------|---------------------|-----------------|
| SCALE: 1"=30'             |            | DATE: 12-01-11      |                 |
| JOB NUMBER: 11-157        |            | SHEET: 11 OF 12     |                 |
| #                         | DATE       | DESCRIPTION         |                 |
| 1                         | 01-16-2012 | REVISED PER VILLAGE |                 |
| 2                         | 02-07-2012 | REVISED PER VILLAGE |                 |
| 3                         |            |                     |                 |
| 4                         |            |                     |                 |
| 5                         |            |                     |                 |
| 6                         |            |                     |                 |
| 7                         |            |                     |                 |
| 8                         |            |                     |                 |



Consulting Civil Engineering  
 Land Planning & Surveying  
 1050 State Route 126  
 Plainfield, Illinois 60544  
 voice 815-254-0505  
 fax 815-436-5158





**LEGEND**

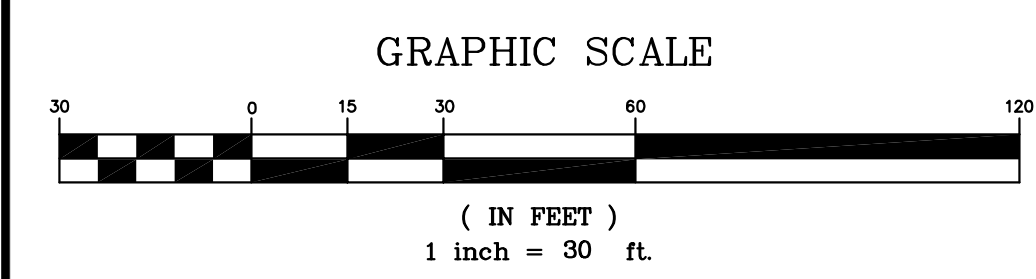
- (SF) SILT FENCE
- (P) PAVEMENT
- (ST) STORM SEWER
- (A) AGGREGATE COVER
- (IB) INLET BASKET
- (PS) PERMANENT SEEDING
- (SO) SODDING
- (SE) STABILIZED ENTRANCE
- (SP) SHORELINE PROTECTION
- (TS) TOPSOIL STOCKPILE
- (RR) RIP RAP
- PROPOSED SILT FENCE
- EXISTING TREE LINE
- ⊗ EXISTING TREE
- ⊠ EXISTING TREE TO BE PROTECTED

**NOTES:**

1. THE LOCATIONS OF EXISTING UNDERGROUND UTILITIES, SUCH AS WATER MAINS, SEWERS, GAS LINES, ELECTRIC LINES, TELEPHONE LINES, ETC., AS SHOWN ON THE PLANS HAVE BEEN DETERMINED FROM THE BEST AVAILABLE INFORMATION AND IS GIVEN FOR THE CONVENIENCE OF THE CONTRACTOR. HOWEVER, THE ENGINEER AND OWNER DO NOT ASSUME RESPONSIBILITY FOR THE ACCURACY OF THE LOCATIONS SHOWN. IT SHALL BE THE CONTRACTOR'S RESPONSIBILITY TO CONTACT ALL UTILITY COMPANIES AND THEIR FACILITIES SHALL BE LOCATED PRIOR TO ANY WORK.
2. EXISTING GRADES AND IMPROVEMENTS ARE SHOWN FROM THE BEST INFORMATION AVAILABLE AND MUST BE VERIFIED IN THE FIELD BY THE CONTRACTOR PRIOR TO THE START OF CONSTRUCTION. ANY DISCREPANCY WITH THE PLAN SHALL BE IMMEDIATELY REPORTED TO THE ENGINEER.
3. PRIOR TO THE START OF CONSTRUCTION, THE CONTRACTOR SHALL EXPOSE ANY UTILITIES OR OTHER OBSTRUCTIONS TO BE CROSSED BY THE PROPOSED SEWER, AND SHALL NOTIFY THE ENGINEER IMMEDIATELY IF THERE ARE ANY CONFLICTS WITH THE PROPOSED SEWER GRADE.
4. STABILIZED CONSTRUCTION ENTRANCE SHALL CONSIST OF CA-3 STONE BASE 6" DEPTH MINIMUM.
5. ACCESS TO THE SITE SHALL BE LIMITED TO THE STABILIZED CONSTRUCTION ENTRANCE, UNLESS PRIOR APPROVAL FROM THE VILLAGE OF DOWNERS GROVE.
6. EROSION CONTROL MEASURES SHALL CONFORM TO "PROCEDURES AND STANDARDS FOR URBAN SOIL EROSION AND SEDIMENTATION CONTROL IN ILLINOIS" LATEST EDITION, AND FURTHER MEASURES AS DEEMED NECESSARY. ALL EROSION CONTROL MEASURES WHICH ARE NECESSARY TO MEET THE REQUIREMENTS OF THE VILLAGE ORDINANCE SHALL BE KEPT OPERATIONAL AND MAINTAINED CONTINUOUSLY THROUGHOUT THE PERIOD OF LAND DISTURBANCE UNTIL PERMANENT SEDIMENT AND EROSION CONTROL MEASURES ARE OPERATIONAL.
7. TEMPORARY VEGETATION OR, WHEN APPROPRIATE, MULCHING OR OTHER NONVARIABLE COVER SHALL BE USED TO PROTECT AREAS EXPOSED DURING DEVELOPMENT.
8. PERMANENT SEEDING AREAS SHALL RECEIVE 16 LBS/ACRE CREEPING RED FESCUE AND 68 LBS/ACRE KENTUCKY BLUEGRASS.
9. STRAW BALES SHALL BE SPREAD AT A RATE OF TWO BALES/ACRE IN ALL PERMANENT SEEDING AREAS.
10. FERTILIZER SHOULD BE APPLIED PRIOR TO SEEDING AT THE FOLLOWING RATES:
 

|            |              |
|------------|--------------|
| NITROGEN   | 130 LBS/ACRE |
| PHOSPHORUS | 130 LBS/ACRE |
| POTASSIUM  | 130 LBS/ACRE |
11. THE EROSION CONTROL PLAN SHOULD BE INTENDED ONLY FOR EROSION CONTROL. PLEASE REFER TO THE GRADING PLANS FOR DETAILED GRADING INFORMATION.
12. ALL AREAS BETWEEN THE CURB AND THE WALK ARE TO BE SODDED.
13. PROTECTIVE GRATES ARE REQUIRED FOR ALL FLARED END SECTIONS.
14. PLACE MIRA1 14 ON GEOTEXTILE FABRIC OR APPROVED EQUAL UNDER RIP-RAP AT BOTH OUTLETS OF FLARED END SECTIONS AND AT OVERFLOW WEIR. INSTALL PER MANUFACTURER'S SPECIFICATIONS.
15. ALL PARKWAYS DISTURBED DURING CONSTRUCTION TO BE RESTORED TO VILLAGE SPECIFICATIONS.
16. SEDIMENT AND EROSION CONTROL DEVICES SHALL BE FUNCTIONAL BEFORE LAND IS OTHERWISE DISTURBED ON THE SITE. ALL SILT FENCE SHALL BE ERRECTED AND APPROVED BY THE VILLAGE OF DOWNERS GROVE PRIOR TO CONSTRUCTION.
17. ALL MAINTENANCE AND INSPECTION OF DESCRIBED EROSION CONTROL MEASURES SHOWN ON THIS PLAN SHALL BE IN ACCORDANCE WITH CHAPTER 6 OF "PROCEDURES AND STANDARDS FOR URBAN SOIL EROSION AND SEDIMENTATION CONTROL IN ILLINOIS."
18. PLEASE REFER TO SHEET 3 FOR FURTHER SPECIFICATIONS AND DETAILS OF DESCRIBED EROSION CONTROL MEASURES.
19. IF A STOCKPILE IS TO REMAIN IN PLACE FOR MORE THAN THREE DAYS, THEN SEDIMENTATION AND EROSION CONTROL MEASURES SHALL BE PROVIDED FOR THE STOCKPILE.
20. GRAVELED ROADS, ACCESS DRIVES, PARKING AREAS OF SUFFICIENT WIDTH AND LENGTH, AND VEHICLE WASH DOWN FACILITIES IF NECESSARY, SHALL BE PROVIDED TO PREVENT THE DEPOSIT OF SOIL FROM BEING TRACKED ONTO PUBLIC OR PRIVATE ROADWAYS. ANY SOIL REACHING A PUBLIC OR PRIVATE ROADWAY SHALL BE REMOVED BEFORE THE END OF EACH WORKDAY. CONTRACTOR TO CLEAN FAIRVIEW AVENUE DAILY OR AS DIRECTED BY ENGINEER OR VILLAGE.
21. IF THE VOLUME, VELOCITY, SEDIMENT LOAD OR PEAK FLOW RATES OF STORMWATER RUNOFF ARE TEMPORARILY INCREASED DURING CONSTRUCTION, THEN THE PROPERTIES AND SPECIAL MANAGEMENT AREAS DOWNSTREAM FROM SUCH DEVELOPMENT SHALL BE PROTECTED FROM EROSION.
22. THE SURFACE OF STRIPPED AREAS SHALL BE PERMANENTLY OR TEMPORARILY PROTECTED FROM SOIL EROSION WITHIN FIFTEEN DAYS AFTER FINAL GRADE IS REACHED. STRIPPED AREAS THAT WILL REMAIN UNDISTURBED FOR MORE THAN FIFTEEN DAYS AFTER INITIAL DISTRIBUTION SHALL BE PROTECTED FROM EROSION. TEMPORARY SEDIMENT AND EROSION CONTROL MEASURES SHALL BE MAINTAINED CONTINUOUSLY UNTIL PERMANENT COVER IS ESTABLISHED.
23. WATER PUMPED OR OTHERWISE DISCHARGED FROM THE SITE DURING CONSTRUCTION DEWATERING SHALL BE FILTERED.
24. ALL STORM SEWER STRUCTURES TO HAVE INLET BASKETS TO COLLECT ANY SILT WHICH MAY FLOW INTO STRUCTURES. INLET BASKETS TO REMAIN IN PLACE UNTIL SITE IS PERMANENTLY STABILIZED.

**BENCHMARK**  
 DUPAGE COUNTY BENCHMARK:  
 DGN07001 - BRONZE DISK IN CONCRETE BASE OF  
 TRAFFIC CONTROL BOX AT THE NORTHWEST CORNER  
 OF MAPLE AVENUE AND 55TH STREET.  
 ELEVATION...743.51' NGVD29



| STABILIZATION TYPE | JAN. | FEB. | MAR. | APR. | MAY | JUN. | JUL. | AUG. | SEP. | OCT. | NOV. | DEC. |
|--------------------|------|------|------|------|-----|------|------|------|------|------|------|------|
| PERMANENT SEEDING  |      |      | A    |      |     |      |      |      |      |      |      |      |
| DORMANT SEEDING    | B    |      |      |      |     |      |      |      |      |      |      |      |
| TEMPORARY SEEDING  |      |      | C    |      |     |      |      |      |      |      |      |      |
| SODDING            |      |      |      |      |     |      |      |      |      |      |      |      |
| MULCHING           | F    |      |      |      |     |      |      |      |      |      |      |      |

A - KENTUCKY BLUEGRASS 68 LBS/ACRE MIXED WITH CREEPING RED FESCUE 16 LBS/ACRE  
 B - KENTUCKY BLUEGRASS 135 LBS/ACRE MIXED WITH PERENNIAL RYEGRASS 45 LBS/ACRE PLUS 2 TONS STRAW MULCH PER ACRE  
 C - SPRING OATS 100 LBS/ACRE  
 D - WHEAT OF CEREAL RYE 150 LBS/ACRE  
 E - SOD  
 F - STRAW MULCH 2 TONS/ACRE

\* IRRIGATION NEEDED DURING JUNE AND JULY  
 \*\* IRRIGATION NEEDED FOR 2 TO 3 WEEKS AFTER APPLYING SOD

**SOIL PROTECTION CHART**

| TASK   | DETENTION BASIN OUTLET | DETENTION BASIN INLET | DETENTION BASIN OUTLET | OUTLET CONTROL STRUCTURE | CATCH BASIN INLET FRAME GRATE | CATCH BASIN SLOPS | STORM SEWER SYSTEM | FREQUENCY                       |
|--|------------------------|-----------------------|------------------------|--------------------------|-------------------------------|-------------------|--------------------|---------------------------------|
| INSPECT FOR SEDIMENT ACCUMULATION            | X                      | X                     | X                      | X                        | X                             | X                 | X                  | ANNUALLY                        |
| REMOVE SEDIMENT ACCUMULATION                 | X                      | X                     | X                      | X                        | X                             | X                 | X                  | EVERY TWO YEARS                 |
| INSPECT FOR DEBRIS                           | X                      | X                     | X                      | X                        | X                             | X                 | X                  | SEASONAL AND AFTER STORM EVENTS |
| CLEAN DEBRIS                                 | X                      | X                     | X                      | X                        | X                             | X                 | X                  | AS NEEDED                       |
| EROSION INSPECTION FOR SLOPES                | X                      | X                     | X                      | X                        | X                             | X                 | X                  | SEASONAL AND AFTER STORM EVENTS |
| EROSION INSPECTION FOR DETENTION POND BOTTOM | X                      | X                     | X                      | X                        | X                             | X                 | X                  | SEASONAL AND AFTER STORM EVENTS |
| VEGETATION INSPECTION                        | X                      | X                     | X                      | X                        | X                             | X                 | X                  | QUARTERLY                       |
| VEGETATION REPLACEMENT                       | X                      | X                     | X                      | X                        | X                             | X                 | X                  | SEASONALLY                      |
| DEAD VEGETATION REMOVAL                      | X                      | X                     | X                      | X                        | X                             | X                 | X                  | ANNUALLY                        |
| INSPECT STONE RIP-RAP                        | X                      | X                     | X                      | X                        | X                             | X                 | X                  | EARLY SPRING                    |
| REPLACE STONE RIP-RAP                        | X                      | X                     | X                      | X                        | X                             | X                 | X                  | AS NEEDED                       |
| MOWING                                       | X                      | X                     | X                      | X                        | X                             | X                 | X                  | MONTHLY                         |
| MAINTAIN MONITORING RECORDS                  | X                      | X                     | X                      | X                        | X                             | X                 | X                  | AS NEEDED                       |
| LITTER AND DEBRIS REMOVAL                    | X                      | X                     | X                      | X                        | X                             | X                 | X                  | AS NEEDED                       |
| NUTRIENT AND PESTICIDE MANAGEMENT            | X                      | X                     | X                      | X                        | X                             | X                 | X                  | AS NEEDED                       |
| DETACHMENTS                                  | X                      | X                     | X                      | X                        | X                             | X                 | X                  | AS NEEDED                       |

**BMP MAINTENANCE PROGRAM**

| TASK   | WEEK 1 | WEEK 2 | WEEK 3 | WEEK 4 | WEEK 5 | WEEK 6 | WEEK 7 | WEEK 8 |
|--|--------|--------|--------|--------|--------|--------|--------|--------|
| INSTALLATION OF PERIMETER CONTROLS, STABILIZED CONSTRUCTION ENTRANCE, INLET PROTECTION DITCH CHECKS AND SILT FENCE |        |        |        |        |        |        |        |        |
| TREE REMOVAL   |        |        |        |        |        |        |        |        |
| MASS GRADING AND STABILIZATION OF DETENTION POND   |        |        |        |        |        |        |        |        |
| UNDERGROUND UTILITY INSTALLATION   |        |        |        |        |        |        |        |        |
| PAVEMENT, CURB AND SIDEWALK INSTALLATION   |        |        |        |        |        |        |        |        |
| FINE GRADING   |        |        |        |        |        |        |        |        |
| SODDING, SEEDING & FINAL STABILIZATION   |        |        |        |        |        |        |        |        |

(NOTE - SCHEDULE SUBJECT TO CHANGE DEPENDING ON START DATE AND WEATHER CONDITIONS.)

**ATWOOD SUBDIVISION**

FAIRVIEW AVENUE BETWEEN 66TH STR. AND 67TH CT. DOWNERS GROVE, ILLINOIS

SWPPP

|                    |                 |
|--------------------|-----------------|
| DRAWN BY: SWL      | CHECKED BY: TRH |
| SCALE: 1"=30'      | DATE: 12-01-11  |
| JOB NUMBER: 11-157 | SHEET: 12 OF 12 |

**CM**  
 Consulting Civil Engineering  
 Land Planning & Surveying  
 1050 State Route 126  
 Plainfield, Illinois 60544  
 voice 815-254-0505  
 fax 815-436-5158

| # | DATE       | DESCRIPTION         |
|---|------------|---------------------|
| 1 | 01-16-2012 | REVISED PER VILLAGE |
| 2 | 02-07-2012 | REVISED PER VILLAGE |
| 3 |            |                     |
| 4 |            |                     |
| 5 |            |                     |
| 6 |            |                     |
| 7 |            |                     |
| 8 |            |                     |

© Copyright, 2012 C. M. Lavoie & Associates, Inc.  
 These plans are protected under the copyright laws of the United States and foreign countries, and are to be used only for the construction and/or repair of the Site Improvements as defined in the contract between the Engineer and the Owner. Any use of these plans, including details and specifications, to construct and/or repair additional items not described in these plans, constitutes a violation of the Engineer's copyright of these plans and is prohibited.



**VILLAGE OF DOWNERS GROVE  
REPORT FOR THE PLAN COMMISSION  
MARCH 5, 2012 AGENDA**

| <b>SUBJECT:</b>                                 | <b>TYPE:</b>              | <b>SUBMITTED BY:</b>             |
|---|---------------------------|----------------------------------|
| PC-05-12<br>6622, 6650 and 6700 Fairview Avenue | Final Plat of Subdivision | Damir Latinovic, AICP<br>Planner |

**REQUEST**

The petitioner is requesting approval of the Zoning Ordinance Map Amendment to rezone a portion of the property from R-1 Single Family Residence to R-3 Single Family Residence district and a final plat of subdivision approval to subdivide five existing parcels into 13 lots and one outlot.

**NOTICE**

The application has been filed in conformance with applicable procedural and public notice requirements.

**GENERAL INFORMATION**

---

**OWNER:** Greenscape Homes, LLC.  
4355 Weaver Parkway  
Warrenville, IL 60555

**APPLICANT:** Tim Hejny  
C. M. Lavoie & Associates, Inc.  
1050 West Route 126  
Plainfield, IL 60544

**PROPERTY INFORMATION**

---

**EXISTING ZONING:** R1 and R-3, Single Family Residential  
**EXISTING LAND USE:** Residential  
**PROPERTY SIZE:** 5.25 acres  
**PINS:** 09-20-211-012, -013, -018; 09-20-408-020, -021

**SURROUNDING ZONING AND LAND USES**

|               | <b>ZONING</b>                      | <b>FUTURE LAND USE</b>    |
|---------------|------------------------------------|---------------------------|
| <b>NORTH:</b> | R-1, Single Family Residence       | Institutional             |
| <b>SOUTH:</b> | R-1, Single Family Residence       | Single Family Residential |
| <b>EAST:</b>  | R-5A, Townhouse Residence & PD #32 | Multi-Family Residential  |
| <b>WEST:</b>  | R-3, Single Family Residence       | Single Family Residential |

## **ANALYSIS**

---

### **SUBMITTALS**

This report is based on the following documents, which are on file with the Department of Community Development:

1. Application/Petition for Public Hearing
2. Project Narrative
3. Plat of Survey
4. Plat of Subdivision
5. Site Engineering Plans

### **PROJECT DESCRIPTION**

The petitioner is requesting approval of the Zoning Ordinance Map Amendment to rezone a portion of the property from R-1 to R-3 Single Family Residence and approval of the Final Plat of Subdivision to resubdivide five existing parcels on the property into 13 lots and one outlot. The property, commonly known as 6622, 6650 and 6700 Fairview Avenue, is located on the west side of Fairview Avenue between 66<sup>th</sup> Street and 67<sup>th</sup> Court. The property is improved with three single family homes. Two of the homes (6622 and 6700 Fairview Avenue) are currently vacant and are zoned R-1 Single Family Residence. The third home is used as a single family residence and is zoned R-3 Single Family Residence

The petitioner is proposing to construct a new street (Atwood Court) with new lots on both sides of the cul-de-sac. The proposed subdivision would have 13 single family lots and one lot designated for the stormwater detention facility in the northwest corner of the site. The proposed rezoning will allow for subdivision of property into 75-foot wide lots. All new single family homes will meet the requirements of the R-3 zoning district.

The petitioner owns the entire property and plans to construct all single family homes in the subdivision.

### **COMPLIANCE WITH COMPREHENSIVE PLAN**

Staff believes the proposed 13 lot subdivision is consistent with the Comprehensive Plan. The existing neighborhood is a single family residential neighborhood. The proposed subdivision will allow for 13 new single family homes which meets the Plan's goal to ensure quality housing stock remains a staple of the community. The Residential Area Plan section of the Comprehensive Plan recommends residential areas provide a variety of housing and dwelling unit types and densities, generally organized by dwelling types and lot sizes as identified in the Land Use Plan.

Per the Comprehensive Plan, when redevelopment occurs, it should be sensitive to and consistent with existing neighborhood character with additional trees planted to complement adjacent neighborhoods. The petitioner will preserve 30 existing trees. Additionally, the proposed lot sizes are consistent in width and area with other lots in the R-3 district.

### **COMPLIANCE WITH ZONING ORDINANCE**

The property is zoned R-1 and R-3 Single Family Residence District. The property is improved with three single family homes. The proposed subdivision complies with Sections 28.1103(c) and 28.1104(c) of the Zoning Ordinance. If the subdivision is approved, the petitioner will demolish three existing homes and construct 13 new homes. All new homes will meet all Zoning Ordinance bulk and setback requirements for the R-3 district.

### **COMPLIANCE WITH THE SUBDIVISION ORDINANCE**

The 13 residential lots will meet the minimum lot dimension requirements for the R-3 zoning district and

per Section 20.301 of the Subdivision Ordinance. The lot dimensions are specified in the table below:

| <b>Atwood Subdivision</b>          | <b>Lot Width (req. 75 ft.)</b> | <b>Lot Depth (req. 140 ft.)</b> | <b>Lot Area (req. 10, 500 sq. ft.)</b> |
|------------------------------------|--------------------------------|---------------------------------|--|
| Lot 1                              | 90.14 ft                       | 167.91 ft                       | 15,119 sq. ft.                         |
| Lot 2                              | 75 ft.                         | 167.91 ft.                      | 12,593 sq. ft.                         |
| Lot 3                              | 75 ft.                         | 167.90 ft.                      | 12,593 sq. ft.                         |
| Lot 4                              | 75 ft.                         | 167.90 ft.                      | 12,593 sq. ft.                         |
| Lot 5                              | 75 ft.                         | 147 ft.                         | 11,561 sq. ft.                         |
| Lot 6                              | 75 ft.                         | 182 ft.                         | 13,545 sq. ft.                         |
| Lot 7                              | 75 ft.                         | 174 ft.                         | 12,705 sq. ft.                         |
| Lot 8                              | 75 ft.                         | 197 ft.                         | 15,826 sq. ft.                         |
| Lot 9                              | 75 ft.                         | 147 ft.                         | 11,163 sq. ft.                         |
| Lot 10                             | 75 ft.                         | 160 ft.                         | 12,000 sq. ft.                         |
| Lot 11                             | 75 ft.                         | 160 ft.                         | 12,000 sq. ft.                         |
| Lot 12                             | 75 ft.                         | 160 ft.                         | 12,000 sq. ft.                         |
| Lot 13                             | 82.81 ft.                      | 160 ft.                         | 13,265 sq. ft.                         |
| Lot 14<br>Stormwater Detention Lot | 15 ft.                         | 214 ft.                         | 27,559 sq. ft.                         |

The petitioner has not requested any exceptions from the Subdivision Ordinance. The required five-foot wide public utility and drainage easements will be provided along all new side lot lines. The public utility and drainage easement along rear lot lines will vary from 10 feet wide to 45.42 feet to accommodate the proposed stormwater utility lines. A blanket stormwater detention easement will be placed on the entire Lot 14 designated for stormwater detention facility. All proposed easements will satisfy the public utility and drainage easement requirements per the Subdivision Ordinance.

The petitioner is required to pay park and school donations for the new single family homes. The petitioner will receive credit for the three existing homes on the property (two three-bedroom homes and one two-bedroom home) to be demolished. The total amount of \$53,993.06 (\$25,024.93 for the Park District, \$19,480.93 for School District 58 and \$ 9,487.20 for School District 99) will have to be paid prior to Village executing the plat.

**ENGINEERING/PUBLIC IMPROVEMENTS**

All proposed public improvements will meet the requirements of the Subdivision Ordinance. The 452-foot long cul-de-sac will include a 31-foot wide street with 15-foot wide parkways and five-foot wide public sidewalk on both sides of the street. A new stop sign will be installed at the intersection of Atwood Court and Fairview Avenue. The petitioner will install two new street lights and is required to pay a fee-in-lieu for 20 new parkway trees. The Village will install the trees at the time of construction of individual single family homes.

All required public utility infrastructure will be constructed within the street right-of-way or the designated public utility and drainage easements. The stormwater runoff from the entire subdivision will be collected in the proposed stormwater detention facility located on Lot 14. The petitioner will create a homeowners association which will be responsible for maintenance of the detention facility. The

detention facility meets all requirements of the Village's Stormwater Ordinance.

#### **NEIGHBORHOOD COMMENT**

Notice was provided to all property owners within 250 feet of the entire property. In addition, the notice was posted on the site and published in the Downers Grove Reporter. Staff has not received any neighborhood comment regarding the proposal at this time.

#### **FINDINGS OF FACT**

Staff believes the proposed Final Plat of Subdivision to resubdivide five existing parcels into 13 new lots and one outlot meets the standards of Sections 28.1103(c) and 28.1104(c) of the Zoning Ordinance and Sections 20.101 and 20.301(b) of the Subdivision Ordinance. The proposal is consistent with surrounding uses and zoning classifications. Staff believes the request is consistent with the Comprehensive Plan and meets the requirements of the Zoning and Subdivision Ordinances of the Village.

Staff believes standards for approval of amendments to the Zoning Ordinance have been met. The petitioner is requesting Zoning Ordinance Map Amendment to rezone a portion of the property from R-1 to R-3 Single Family Residence district. Specifically, properties at 6622 and 6700 Fairview Avenue are zoned R-1. The rezoning of this portion of the property will match the R-3 zoning classification on the remainder of the property (6650 Fairview Avenue) and enable the petitioner to subdivide and improve the property. The standards for approval of the rezoning are outlined below.

#### ***Section 28.1702 Standards for Approval of Amendments to the Zoning Ordinance***

*Village Council and Plan Commission consideration and approval of any amendment, whether text or map, is a matter of legislative discretion that is not controlled by any one standard. However, in making its decisions and recommendations regarding map amendments, the Village Council and Plan Commission shall consider the following factors:*

*(1) The existing uses and zoning of nearby property;*

Single family homes are located west and south of the subject property while a multi-family senior housing development Oak Trace (formerly known as Fairview Village) is located to the east. Downers Grove Community Church occupies the property to the north. Properties to the north and south are zoned R-1 Single Family Residence while properties to the west are zoned R-3 Single Family Residence. The Oak Trace community to the east is zoned R5A Townhouse Residence district and is part of Planned Development #32. Based on the proposed lot dimensions that meet or exceed minimum requirements for the R-3 district and the location of the property adjacent to the R-3 district to the west, staff believes the proposed rezoning is consistent with the surrounding uses and zoning classifications.

*(2) The extent to which the particular zoning restrictions affect property values;*

The two existing single family homes zoned R-1 (6622 and 6700 Fairview Avenue) have been vacant for several years. The 6622 Fairview Avenue property is 38,507 sq. ft. in area and the property at 6700 Fairview Avenue is 2.8 acres. Both properties are primarily covered with large wooded areas. The combination of the property size and wooded characteristics along with the most restrictive bulk restrictions for the R-1 district have likely prevented redevelopment of these properties. The proposed rezoning of this portion of the property to R-3 is consistent with surrounding properties and will enable the petitioner to subdivide and improve the entire property.



- (3) *The extent to which any determination in property value is offset by an increase in the public health, safety and welfare;*

The two existing single family homes zoned R-1 have been vacant for several years. Rezoning of the property will enable the petitioner to subdivide and improve the property. The new subdivision will not have any negative affect on public health, safety, and welfare of the area.

- (4) *The suitability of the subject property for the zoned purposes;*

A portion of the property (6650 Fairview Avenue) is already zoned R-3 Single Family Residence. Additionally, properties immediately to the west are also zoned R-3. The proposed subdivision will meet all minimum lot dimension requirements for the R-3 zoning district. Staff believes the subject property and the proposed subdivision is well suited for the proposed R-3 zoning classification.

- (5) *The length of time that the subject property has been vacant as zoned, considering the context of land development in the vicinity;*

The two single family homes zoned R-1 have been vacant for several years. The 6622 Fairview Avenue property is 38,507 sq. ft. in area and the property at 6700 Fairview Avenue is 2.8 acres. The single family lots to the west are approximately 10,500 sq. ft. in area and are zoned R-3. The single family lots zoned R-1 immediately south of the subject property are much smaller and more typical size for the R-1 district ranging from 18,527 sq. ft. to 25,019 sq. ft. in area. The combination of the properties' size and wooded characteristics along with the most restrictive bulk restrictions for the R-1 district have likely prevented redevelopment of these properties.

- (6) *The value to the community of the proposed use;*

The proposed rezoning will enable the petitioner to subdivide and improve the property with 13 new single family homes. The proposed subdivision will meet the Comprehensive Plan's goal to ensure quality housing stock remains a staple of the community.

- (7) *The standard of care with which the community has undertaken to plan its land use development.*

Staff believes the proposed rezoning is consistent with the Comprehensive Plan. The Plan identified the need for a variety of housing and dwelling unit types and densities, generally organized by dwelling types and lot sizes as identified in the Land Use Plan. The proposed rezoning and subdivision includes 13 new single family homes to replace the three existing vacant or underutilized properties. The proposed lot sizes are also consistent in width and area with other lots in the R-3 district.

## **RECOMMENDATIONS**

---

The proposed final plat of subdivision and zoning ordinance map amendment to rezone a portion of the property from R-1 to R-3 is compatible with the surrounding zoning and land use classifications. Based on the findings listed above, staff recommends that the Plan Commission make a positive recommendation associated with PC-05-12 to the Village Council subject to the following conditions:

1. The final plat of subdivision shall substantially conform to the Final Plat of Atwood Resubdivision prepared by C. M. Lavoie & Associates. Inc., dated December 02, 2011, last revised February 8, 2012, Proposed Site Improvements for Atwood Subdivision prepared by C. M. Lavoie & Associates. Inc., dated December 11, 2011, last revised February 7, 2012, EX07 Tree Removal Plan, prepared by C. M. Lavoie & Associates. Inc., dated October 26, 2011, last revised February 8, 2012 and Boundary & Topography Survey prepared by C. M. Lavoie & Associates. Inc., dated October 26, 2011, except as such plans may be modified to conform to the Village Codes and Ordinances.



2. The Home Owners Association Declaration of Restrictive Covenants document for the Atwood subdivision shall be recorded with the plat of subdivision.
3. The Final Plat of Atwood Resubdivision shall be revised to indicate the depth of proposed public utility and drainage easements along rear lot lines of Lots 9-13.
4. Upon completion of all remaining public improvements for the entire Atwood Subdivision, the petitioner shall submit record drawings for approval by the Village Council. Along with the record drawings, the petitioner shall submit a guarantee security in the amount of 20% of the total cost of the public improvements, which shall expire no earlier than two years after acceptance of such public improvements by the Village Council.
5. The petitioner shall pay \$53,993.06 for park and school donations (\$25,024.93 for the Park District, \$19,480.93 for School District 58 and \$ 9,487.20 for School District 99) prior to Village executing the plat.
6. A fee in lieu payment for 20 new parkway trees (\$500 per tree, total payment \$10,000) must be submitted prior to issuance of the construction permit.
7. The approval from the Downers Grove Sanitary District shall be submitted prior to issuance of construction permits.
8. The approval from the DuPage County for Impact Fees and the DuPage County Health Department for the removal of existing wells on the property shall be submitted prior to issuance of the construction permits.

Staff Report Approved By:

---

Tom Dabareiner, AICP  
Director of Community Development

TD:dl  
-att

P:\P&CD\PROJECTS\PLAN COMMISSION\2012 PC Petition Files\PC 05-12 Atwood Subdivision- Final Plat of Subdivision\Staff Report PC-05-12.doc

**PC-05-12** A petition seeking rezoning approval from R-1 Single Family Residence district to R-3 Single Family Residence district and Final Plat of Subdivision approval to re-subdivide five existing parcels into 14 new lots. The property is located on the west side of Fairview Avenue approximately 365 feet south of 66<sup>th</sup> Street, commonly known as 6622, 6700 and 6650 Fairview Avenue, Downers Grove, IL (PINs 09-20-211-012, -013, -018; 09-20-408-020, -021) C.M. Lavoie and Associates, Inc., Petitioner; Greenscape Homes, LLC., Owner.

Chairman Jirik swore in those individuals who would be speaking on the above petition.

Mr. Damir Latinovic, planner for the Village of Downers Grove, referred to the location of the parcels under discussion on the overhead noting that while there were three properties: 6622, 6700 and 6650 Fairview Avenue, there were actually five existing parcels with two vacant homes on the northern properties. The home on the southern property was occupied. The property was currently zoned R-1 Single Family and R-3 Single Family (the southern rental parcel) and the petitioner was asking to rezone the R-1 portion into R-3 and requesting the approval of final plat of subdivision to subdivide the property into 13 new lots with one detention lot (NW corner of site). All lots would have a minimum lot area of more than 10,500 sq. feet and be 75 feet in width.

All single-family homes would have to meet all requirements of the zoning ordinance. Staff believed the proposal was consistent with the Village's Comprehensive Plan, which called for quality housing and a variety of dwelling units throughout the Village. The Plan also recommended new developments be sensitive to the surrounding area. The lots were consistent with the sizes of other R-3 lots in the area. Mr. Latinovic noted the proposed development met the requirements of the Village's Subdivision Ordinance. He stated no exceptions were being requested.

Mr. Latinovic stated some trees would have to be removed to accommodate the project, but 33 of the trees would be preserved, according to the petitioner's tree preservation plan. He stated the Village would collect a fee-in-lieu from the petitioner for 20 new parkway trees.

Mr. Latinovic went on to note five-foot wide utility easements will be located along the side lot lines and 10-foot easements would be reserved along the rear lot lines. These easements would accommodate all utility structures. Mr. Latinovic explained Lot 14 would contain the stormwater detention area. The applicant will be required to park and school donations prior to the Village executing the plat of subdivision. Mr. Latinovic stated these donations would total approximately \$53,993.06.

A review of the street, parkway and sidewalk widths followed. Mr. Latinovic said one stop sign was planned at the intersection of Fairview for traffic exiting Atwood Court. Lot 14 will collect all stormwater run-off from the property and drain into the public storm sewer on Fairview Avenue. A homeowners association will be created for the proposed subdivision and will have responsibility for maintenance of the detention facility.

Mr. Latinovic reviewed the standards for approval for zoning map amendments. He explained how the proposal met each of the standards. Mr. Latinovic re-emphasized how the proposal met the goals of the Comprehensive Plan and requirements of the Subdivision Ordinance. He stated staff recommended the Plan Commission to forward a positive recommendation to the Village Council, subject to the conditions on pages 5 and 6 of the Staff Report.

Per Mr. Matejczyk's question, Mr. Latinovic confirmed that the areas to the north and south of the proposal would remain R-1 and the proposed subdivision would be zoned R-3. He indicated the adjacent subdivisions to the west were zoned R-3. As to the history of the R-1 area to the south, Mr. Latinovic could not confirm when the area was developed, but believed it was annexed as R-1 zoning, similar to when other parcels came into annexation from the County.

Chairman Jirik observed that two-thirds of the area was zoned R-3 already. He suggested the proposed zoning was a continuation of the existing development pattern. Mr. Latinovic concurred there was a predominance of the R-3 zoning and the change was not shifting a balance but was consistent with the trend of development.

Petitioner, Mr. Ken Neuman, owner of Greenscape Homes, LLC, recalled a few years ago a number of different zoning classifications were considered for the area, including town homes, with a higher density. He stated he reviewed the minutes from and the concerns raised during those hearings. Mr. Neuman discussed how the surrounding zoning was considered for the proposal and how the development would be consistent with the surrounding neighborhood. In response to the residents' concerns and the surrounding area, the proposal before the Commission was a standard proposal for single-family residences. The entire parcel, he noted, was purchased from the Fairview Ministries bankruptcy.

Mr. Neuman further discussed the three homes already under construction in his other development (Green Acres Subdivision). He stated the homes will be approximately 3,000 sq. foot homes with masonry fronts and most of them would have 3-car garages. He provided details about the proposed building material. Mr. Neuman described how the project met the Village's codes and requirements. As to stormwater detention, Mr. Neuman explained that the detention area aligns with the property to the west. Due to input received from residents and staff, he stated he purchased another parcel from the church in order to better align the stormwater detention basin with the neighboring pond.

Per a question from Mr. Beggs, Mr. Neuman explained how he came up with the subdivision's name.

Chairman Jirik opened the meeting up to public comment.

Mr. Bob Johnson, 400 67<sup>th</sup> Court, noted he resides south of the property and asked about the details of the location of the swale and storm sewer, what trees would be preserved, and easement details.

In response, Mr. Tim Hejny, with C.M. Lavoie and Associates, Inc., stated that some of the easements were expanded along the south property line to accommodate the swales and storm sewer. A silt fence would be installed along the property line, with some form of construction fence around it during development. He said the developer was not proposing fences for the final development. However, private owners may install them after the project is complete.

Mr. Johnson explained the topography of his lot behind the property and was concerned about the petitioner protecting his trees on his property. Mr. Hejny noted there would be fences to protect neighboring trees and they would be inspected after every storm

Mr. Johnson expressed concern about the building setback line being 40 feet off Fairview to which Mr. Hejny confirmed that the current setback met the proposed zoning planned for the subdivision. Mr. Latinovic interjected and explained to Mr. Johnson that every zoning district had different setbacks and with the proposed subdivision, the current zoning regulations and setbacks applied. He noted the R-1 district, the zoning for 400 67<sup>th</sup> Court, requires a 40-foot front setback while the R-3 zoning district, the current and proposed zoning for the subdivision, requires a 30-foot setback.

Mr. Johnson asked about the construction sequencing, wherein the Chairman explained that the Commission does not review the construction phasing for the project. Mr. O'Brien filled in those timeline details for the resident.

Mr. Jas Chawla, 1936 Sweetbriar Lane, Darien, IL, inquired as to when the development would begin and expressed concern about increased traffic on Fairview. Mr. Chawala asked if a traffic signal would be installed because it was difficult to turn onto Fairview. Mr. Hejny stated construction would begin within several weeks to a couple of months if the Village approved it. He stated there would not be a significant increase in traffic because there was only a net gain of 10 homes after the three existing homes were razed. He went on to explain there were no plans for a traffic signal on Fairview because the traffic from the proposed development did not warrant one. Mr. Chawala included what protection would his home have from the construction. Mr. Hejny explained where construction traffic would park and that the Village had strict rules governing construction activities.

Ms. Kathy Cummings, 411 67<sup>th</sup> Court, Downers Grove, voiced that the area was a nice five-acre parcel with trees that absorbed the stormwater. She expressed concern about replacing the trees with concrete, flooding issues, and the environment impact. She preferred to have the lot zoned R-1 like her own street.

Mr. Ken Nemec, 6631 St. James Court, Downers Grove, resides adjacent to the existing detention area. He confirmed he met with Mr. Neuman and thanked him for being very



cooperative with the information. However, Mr. Nemeč said he did have a concern about the tree line that bordered the west part of the lot of the development and the plans for that area. He agreed the trees in the neighborhood made the area nice. He also confirmed with Mr. Neuman that the drainage would not flow into the detention area on St. James Court.

In response, Mr. Hejny, stated that he would do everything possible to maintain as many trees as possible, but indicated there would be some utilities located and draining along the west property line. To date, it was difficult for him to determine to what extent the trees would be removed until the specific homes and grading were determined for each lot. Currently, there were no final plans for each lot's specific grading. Chairman Jirik, however, stepped in and explained that a property owner had a right to do whatever he/she wanted with the trees on their property and that most developers understood the value of trees and worked to identify quality trees and preserve them due to their value to a project.

Per another question by Mr. Nemeč regarding building location on a lot, Mr. O'Brien stepped in and explained that the foundations depicted on the drawings were for illustrative purposes. They are only used to identify the top and bottom of proposed foundations.

Mr. Johnson, 400 67<sup>th</sup> Court, returned and voiced concern about flooding since a nearby stream flowed east through two properties. Mr. Hejny explained that he was aware of the drainage conditions. He explained the proposed development's stormwater would be conveyed west, then to the detention pond and finally to the storm sewer along Fairview Avenue.

Mr. John Hoth, 402 67<sup>th</sup> Court, discussed the flooding that occurs on both sides of his house after it rained. He asked the petitioner where he planned to pick up grade to fill the back area. Mr. Hejny explained that the surface water would be conveyed to the detention basin through a series of underground storm sewers. The developer was not proposing to raise the grade.

There being no further comments, Chairman Jirik closed public comment. No further Commissioner questions to the public followed.

In response to the concerns of storm water, Mr. Ken Neuman, explained the detail of stormwater drainage for the proposed development. He indicated the run-off would be captured by a series of underground pipes, routed through the detention pond and then to the storm sewer in Fairview Avenue. Regarding the protection for the residents while construction was occurring, Mr. Neumann explained that the detention area will be installed first, followed by installation of the roadway. A chain link fence will surround the construction site and silt fence will be installed inside of the chain link fence. He estimated construction to commence mid-July and take two years to complete. Mr. Neuman provided more detail about tree preservation. He noted that pipes would zigzag through the trees to protect them. He went on to say houses would be set at the front

setback line to keep backyards as large as possible. Mr. Neuman recapped his petition and asked for the Commission's recommendation.

Per Mrs. Rabatah's question to staff, the Fire Department reviewed the proposal. Mr. O'Brien indicated the Department would review the placement of fire hydrants and water pressure when the plans are submitted for permit review. He went on to explain the village would maintain the cul-de-sac.

**WITH RESPECT TO FILE PC-05-12, MR. MATEJCZYK MADE A MOTION THAT THE PLAN COMMISSION FORWARD A POSTIVE RECOMMENDATION TO THE VILLAGE COUNCIL, SUBJECT TO THE FOLLOWING CONDITIONS:**

- 1. THE FINAL PLAT OF SUBDIVISION SHALL SUBSTANTIALLY CONFORM TO THE FINAL PLAT OF ATWOOD RESUBDIVISION PREPARED BY C. M. LAVOIE & ASSOCIATES. INC., DATED DECEMBER 02, 2011, LAST REVISED FEBRUARY 8, 2012, PROPOSED SITE IMPROVEMENTS FOR ATWOOD SUBDIVISION PREPARED BY C. M. LAVOIE & ASSOCIATES. INC., DATED DECEMBER 11, 2011, LAST REVISED FEBRUARY 7, 2012, EX07 TREE REMOVAL PLAN, PREPARED BY C. M. LAVOIE & ASSOCIATES. INC., DATED OCTOBER 26, 2011, LAST REVISED FEBRUARY 8, 2012 AND BOUNDARY & TOPOGRAPHY SURVEY PREPARED BY C. M. LAVOIE & ASSOCIATES. INC., DATED OCTOBER 26, 2011, EXCEPT AS SUCH PLANS MAY BE MODIFIED TO CONFORM TO THE VILLAGE CODES AND ORDINANCES.**
- 2. THE HOME OWNERS ASSOCIATION DECLARATION OF RESTRICTIVE COVENANTS DOCUMENT FOR THE ATWOOD SUBDIVISION SHALL BE RECORDED WITH THE PLAT OF SUBDIVISION.**
- 3. THE FINAL PLAT OF ATWOOD RESUBDIVISION SHALL BE REVISED TO INDICATE THE DEPTH OF PROPOSED PUBLIC UTILITY AND DRAINAGE EASEMENTS ALONG REAR LOT LINES OF LOTS 9-13.**
- 4. UPON COMPETITION OF ALL REMAINING PUBLIC IMPROVEMENTS FOR THE ENTIRE ATWOOD SUBDIVISION, THE PETITIONER SHALL SUBMIT RECORD DRAWINGS FOR APPROVAL BY THE VILLAGE COUNCIL. ALONG WITH THE RECORD DRAWINGS, THE PETITIONER SHALL SUBMIT A GUARANTEE SECURITY IN THE AMOUNT OF 20% OF THE TOTAL COST OF THE PUBLIC IMPROVEMENTS, WHICH SHALL EXPIRE NO EARLIER THAN TWO YEARS AFTER ACCEPTANCE OF SUCH PUBLIC IMPROVEMENTS BY THE VILLAGE COUNCIL.**
- 5. THE PETITIONER SHALL PAY \$53,993.06 FOR PARK AND SCHOOL DONATIONS (\$25,024.93 FOR THE PARK DISTRICT, \$19,480.93 FOR**

- SCHOOL DISTRICT 58 AND \$ 9,487.20 FOR SCHOOL DISTRICT 99)  
PRIOR TO VILLAGE EXECUTING THE PLAT.**
- 6. A FEE IN LIEU PAYMENT FOR 20 NEW PARKWAY TREES (\$500 PER TREE, TOTAL PAYMENT \$10,000) MUST BE SUBMITTED PRIOR TO ISSUANCE OF THE CONSTRUCTION PERMIT.**
  - 7. THE APPROVAL FROM THE DOWNERS GROVE SANITARY DISTRICT SHALL BE SUBMITTED PRIOR TO ISSUANCE OF CONSTRUCTION PERMITS.**
  - 8. THE APPROVAL FROM THE DUPAGE COUNTY FOR IMPACT FEES AND THE DUPAGE COUNTY HEALTH DEPARTMENT FOR THE REMOVAL OF EXISTING WELLS ON THE PROPERTY SHALL BE SUBMITTED PRIOR TO ISSUANCE OF THE CONSTRUCTION PERMITS.**

**MR. BEGGS SECONDED THE MOTION.**

For the record, Chairman Jirik stated the proposal met the Standards for Approval and was responsive and satisfied the fulfillment of review of the standards. He agreed with staff's analysis of this proposal.

**ROLL CALL:**

**AYE: MR. MATEJCZYK, MR. BEGGS, MR. HOSE, MR. QUIRK, MRS. RABATAH, CHAIRMAN JIRIK**

**NAY: NONE**

**MOTION CARRIED. VOTE: 6-0**