

VILLAGE OF DOWNERS GROVE
Report for the Village Council Meeting
3/3/2026

SUBJECT:	SUBMITTED BY:
Authorization to Purchase Replacement Vehicles	David Moody Director of Public Works

SYNOPSIS

A resolution has been prepared authorizing the purchase of the following eight (8) replacement vehicles and equipment for a total of \$695,851.55.

STRATEGIC PLAN ALIGNMENT

The goals for 2025-2027 include *Exceptional Municipal Services*

FISCAL IMPACT

The FY26 budget includes \$3,434,290 in the Equipment Replacement Fund for the purchase of these vehicles.

RECOMMENDATION

Approval on the March 3, 2026 consent agenda.

BACKGROUND

The 2026 vehicle replacement schedule provides for the purchase/replacement of the following vehicles.

Quantity	Type of Vehicle	Make and Model	Dealer	Price
1	PUBLIC WORKS FORKLIFT	TOYOTA CLASS V	ATLAS TOYOTA	\$45,536.80
3	POLICE PATROL VEHICLES	2026 POLICE INTERCEPTOR UTILITIES	DUVAL FORD	\$234,249.75
1	POLICE PATROL VEHICLE	2026 POLICE DURANGO AWD	GRAPEVINE DODGE CHRYSLER JEEP	\$72,340
1	3 – TON SNOW PLOW	CHASSIS AND SNOW PLOW BODY	RUSH TRUCK CENTER	\$227,225.00
1	TRAFFIC CARGO VAN	FORD TRANSIT EV	MODEL 1 COMMERCIAL	\$51,500
1	POLICE ADMIN	2026 Honda Accord	LOCAL DEALER	\$65,000

The Village's Fleet Team, consisting of representatives from the Village Manager's Office, Finance, Public Works, Police and Fire Departments evaluated the need to replace these vehicles. All Village vehicles and equipment are targeted for replacement according to useful lifecycle replacement criteria. These criteria include age, usage, condition, repair costs, fuel efficiency and environmental impact. The Fleet Team reviewed the vehicles scheduled to be replaced and determined that the criteria for replacement were met.

Police Vehicles

A typical patrol car has a useful life of 5-6 years depending on use. The following table provides additional information regarding the Police Department vehicles that are scheduled to be replaced:

Vehicle Unit #	Year	Make	Model
815	2016	FORD	FUSION HYBRID
843	2017	FORD	EXPLORER AWD
850	2021	FORD	EXPLORER AWD
852	2021	FORD	EXPLORER AWD
853	2021	FORD	EXPLORER AWD

Units 850, 852, and 853 are Police patrol vehicles that are typically driven for multiple police department shifts on a daily basis. These patrol vehicles are nearing the end of their useful life, and are being replaced with 2026 Ford Police Interceptor units that include upfitting from Dana Safety Supply, Inc. of Greensboro, NC. The purchase is through the BuyBoard Purchasing Cooperative that complies with the provisions of the Village Purchasing Policy.

Unit 843 is a former Police Department Lieutenant vehicle that was moved to a police patrol unit. It is nearing the end of its useful life and is being replaced with a 2026 Dodge Durango AWD that includes upfitting from Dana Safety Supply, Inc. of Greensboro, NC. The purchase is through The Interlocal Purchasing System (TIPS) that complies with the provisions of the Village Purchasing Policy.

Unit 815 is a Police Department investigations unit that is nearing the end of its useful life, and will be replaced with a 2026 Honda accord. Staff have been unable to locate a state bid or purchasing cooperative to purchase this vehicle. As a result, staff is requesting the advance authority to purchase this vehicle from a local dealer, waiving competitive bidding requirements and without further Council approval of the purchase.

Public Works Vehicles:

The Public Works Department vehicles that are being replaced are all Compressed Natural Gas (CNG) vehicles. With the planned decommission of the CNG fueling station later this year, these vehicles must be replaced at this time. The Village has a long-standing commitment to its green fleet, so, when possible, preference will be given to hybrid or electric vehicles. The Village's Fleet Team identified Unit #198 as an opportunity to increase the Village's Electric Fleet with the purchase of a Ford Transit EV Cargo Van.

The following table provides additional information regarding the vehicles that are scheduled to be replaced.

Vehicle Unit #	Year	Make	Model
33	2006	TOYOTA	CNG FORKLIFT
256	2014	FORD	F550 SUPER DUTY CNG PICKUP
198	2015	CHEVROLET	EXPRESS CNG VAN

Unit 33 is a 2006 Toyota CNG Forklift that is being replaced with a 2026 Toyota Class V liquid propane gas forklift. The purchase is through the Sourcewell Purchasing Cooperative that complies with the provisions of the Village Purchasing Policy.

Unit 256 is a 2014 Ford F550 Super Duty CNG pickup that is used by the Forestry Division. It is being replaced with a 2026 International MV607 SBA that includes a snow plow and utility body upfit from Koenig Body and Equipment Inc. of Peoria, IL. This purchase is through the State of Illinois Joint Purchase Contract that complies with the provisions of the Village Purchasing Policy.

Unit 198 is a 2015 Chevrolet CNG Express Van that is being replaced with a 2024 Ford Transit EV. This purchase is through the Sourcewell Purchasing Cooperative that complies with the provisions of the Village Purchasing Policy.

In summary seven (7) of the eight (8) vehicle purchases are recommended to be made through Cooperative Purchasing Programs or joint purchase contracts in accordance with the provisions of the Village Purchasing Policy. One (1) vehicle purchase is recommended to be made directly through a dealership, waiving competitive bidding requirements and without further Council approval of the purchase.

ATTACHMENTS

- Resolution
- Atlas Toyota Quote
- 2026 Ford Police Interceptor Utility Quote
- 2026 Dodge Durango AWD Quote
- 2026 International MV607SBA Chassis and Koenig Snow Plow Quote
- 2024 Ford Transit EV Cargo Van quote

RESOLUTION NO.**A RESOLUTION AUTHORIZING THE PURCHASE OF REPLACEMENT VEHICLES AND CERTAIN EQUIPMENT**

WHEREAS, the Village is a home rule municipality pursuant to Section 6(a), Article VII of the 1970 Constitution of the State of Illinois, and as such may exercise any power and perform any function pertaining to its government and affairs (the "Home Rule Powers"); and

WHEREAS, the Village Council of the Village has the authority to adopt ordinances and resolutions and to promulgate rules and regulations that pertain to its government and affairs and protect the public health, safety and welfare of its citizens; and,

WHEREAS, the Village Council has adopted a Village Council Policy regarding Village Purchasing Procedures certain procedural requirements for obtaining bids and proposals for projects and services; and,

WHEREAS, with respect to the purchase of vehicles and equipment, the Village's fleet team evaluates the need to replace certain vehicles and equipment on an annual basis. The fleet team has determined that numerous vehicles and equipment needs to be purchased, including one (1) Public Works Class V Forklift, four (4) Police Department Patrol Vehicles, one (1) Police Administrative Vehicle; one (1) 3-Ton Snow Plow, one (1) Traffic Cargo Van; and,

WHEREAS, typically the Village receives the vehicles and equipment within the same fiscal year that they are ordered. However, due to global supply chain issues, declining vehicle inventories and very long delivery schedules for vehicles and equipment. It has become increasingly difficult to replace vehicles and equipment with any certainty of pricing or delivery date; and,

WHEREAS, based upon the foregoing information, staff is requesting authority to waive the competitive purchasing requirements in the Village's Purchasing Policy and to purchase certain vehicles and equipment on the open market; and,

WHEREAS, pursuant to its Home Rule Powers, the Village has the authority to waive the requirements of the Village's Purchasing Policy.

NOW, THEREFORE, BE IT RESOLVED by the Village Council of the Village of Downers Grove, DuPage County, Illinois, as follows:

1. That the Village Council finds it is in the best interests of the Village to waive the competitive purchasing requirements for the purchase certain vehicles and equipment; and therefore, does hereby waive any applicable public bidding or proposal requirements imposed by State statute or Downers Grove ordinances or policies.

2. That the Village Council authorizes staff to purchase certain vehicles and equipment directly from any vendor and/or any governmental purchasing cooperative in a total not-to-exceed amount of \$695,851.55 without having to seek Village Council approval for each individual vehicle purchase.

3. That the proper officials, agents and employees of the Village are hereby authorized and directed to take such further action as they may deem necessary or appropriate to perform all obligations and commitments of the Village to effectuate these purchases.

4. That all resolutions or parts of resolutions in conflict with the provisions of this Resolution are hereby repealed.

5. That this Resolution shall be in full force and effect from and after its passage as provided by law.

Mayor

Passed:

Attest: _____

Village Clerk

Sourcewell 

Awarded Contract

Contract #053024-ATY

Atlas Toyota Material Handling (MN)8601 Xylon Ct
Minneapolis, MN 55445-1840
Phone: 763-425-9066
<https://www.atlastoyota.com/>

October 27, 2025

Tim Vos
Fleet Services Manager
Village of Downers Grove
Direct | 331.326.1202
Office | 630.434.5951
Email | tvos@downers.us

Dear Tim,

We are pleased to submit the attached Toyota CLASS V (I.C. FORKLIFT) quotation for your review and approval.

As an authorized Toyota dealer, Atlas Toyota Material Handling can provide the high-quality equipment and service you would expect from the world's leading forklift manufacturer. This quotation reflects our understanding of your forklift needs, combined with a careful configuration of the appropriate equipment and options.

To place your order, please sign and date the quotation where indicated and return to me. If you have any questions, please contact me.

Thank you for your interest in our company and our Toyota products. We look forward to being of valuable service to you for your material handling needs.

Sincerely,

**KEN KAPELA**
Account Managerkkapela@atlastoyota.com
Phone | [847-233-7124](tel:847-233-7124)
Mobile | [630-674-5660](tel:630-674-5660)



Sourcewell

Awarded Contract

Contract #053024-ATY

Atlas Toyota Material Handling (MN)

8601 Xylon Ct

Minneapolis, MN 55445-1840

Phone: 763-425-9066

<https://www.atlastoyota.com/>

To: Sourcewell Member
Tim Vos
Fleet Services Manager
Village of Downers Grove
 Direct | 331.326.1202
 Office | 630.434.5951
 Email | tvos@downers.us

Date: October 27, 2025
 Quote No: 0130104685R1

We respectfully submit this quotation for the following NEW Toyota Internal Combustion Lift Truck (1 each):

Toyota...Proud to be the world's #1 forklift manufacturer!

TOYOTA MODEL 50-8FGU32, Internal Combustion Lift Truck, quality engineered with the following specifications:

- Pneumatic Tires
- LP Gas Powered - UL Type "LP" Rating

This forklift is equipped with a 3-Way Catalytic Muffler System as standard equipment and conforms to current Federal EPA and California ARB regulations for off-road large spark ignited engines.

SYSTEM OF ACTIVE STABILITY™ (SAS)

Toyota's industry exclusive System of Active Stability (SAS) helps reduce lift truck instability by electronically monitoring and controlling various functions of the lift truck.

- **Active Control Rear Stabilizer:**
 Various lift truck sensors simultaneously monitor vehicle speed, fork height, load weight, and vehicle yaw (or angular acceleration). Should the operator inadvertently place the truck in a potentially unstable lateral condition, the sensors trigger the SAS controller to activate the Active Control Rear Stabilizer to help reduce the likelihood of a lateral tip over. (Note: Does not apply to dual drive configured models)
- **Active Mast Function Controller (AMC):**
 Should the operator inadvertently place the lift truck in a potentially unstable longitudinal condition, these same sensors trigger the SAS controller to activate the AMC, which limits forward tilt and/or tilt back speed to help reduce the likelihood of a longitudinal tip over.



Photo may portray optional equipment not included in your quotation.

AUTOMATIC FORK LEVELING

Toyota's Automatic Fork Leveling feature increases productivity while reducing damage with a push of a button. By depressing the Automatic Fork Leveling button during forward tilt, operators are quickly and easily able to level the forks.

Sourcewell
 October 27, 2025
 Quote: 0130104685R1
 Opportunity: 0041433619

PREMIUM, 4-WAY ADJUSTABLE, FULL SUSPENSION SEAT WITH ORANGE, NON-CINCHING SEAT BELT

Operator comfort is taken to a new level with Toyota's Premium, 4-way adjustable, full suspension vinyl seat. With lumbar, weight, tilt, and almost 6 inches of fore/aft adjustability, your operators will be comfortable and productive throughout their shift. Standard orange, non-cinching seat belt provides additional comfort in applications requiring frequent reverse travel.

LCD MULTI-FUNCTION DISPLAY II

Features on the new MFD II include data log functions, fuel information, & operation data log all with QR code output; fuel gauge (excluding LP); and password protected administrator level access that can manipulate functions such as travel, vehicle management, and operation data log functions.

Mast 3-Stage (FSV) mast with full free lift provides excellent visibility to load and fork tips, while providing smooth, quiet and consistent operation.
 Mast Specifications:

- Maximum Fork Height - 187.0"
- Overall Lowered Height - 89.2"
- Over Head Guard Height - 85.50"
- Free Lift - 41.2" with standard Load Backrest

Lifting Capacity **Base Model Capacity – 6,500 lbs @24" load center**
Actual Capacity, based on quoted specifications - 6,020 lbs @24" load center to 187.0" MFH
Actual capacity ratings stated above are based on standard features, options, and attachments available through Toyota at the time of quoting. Non-standard features, options, and attachments may affect actual capacity ratings. Please contact your Toyota sales representative for additional information.

Tilt 6 degrees forward and 6 degrees backwards

Carriage ITA Hook Type 42" Carriage

Forks Forks 48" x 5" x 1.8" - Class III

Load Backrest 48" High Load Backrest

Attachments Cascade 42" Hang-on Sideshifter (Includes 3rd Function Internal Hosing)

Speeds Travel Speed: 11.50 mph Lift Speed: 102 fpm

Sourcewell
October 27, 2025
Quote: 0130104685R1
Opportunity: 0041433619

Engine	2.2L 4Y-US Industrial LP Engine 136 cubic inch displacement, 4 cylinder, overhead valve (OHV) Net Torque Rating: 112 @ 1800 rpm SAE ft-lb Net Horsepower Rating: 51 @ 2570 rpm SAE HP
Transmission	Automatic Transmission
Steering	Load Sensing Hydrostatic Power Steering with Tilt Steering Column
Wheels and Tires	Front Tires: 28x9-15-12PR (Pneumatic) Rear Tires: 6.50-10-10PR (Pneumatic)

**Additional
Equipment
Included**

- **UL Approved Model Type "LP" (tank not included)**
- **Steering Wheel with Knob**
- **Adjustable Volume Back-up Alarm (Smart Alarm)**
- **LED Strobe Light (Amber)**
- **Front Solid Pneumatic Tires - Including Quick Heel Style Rims**
- **Rear Solid Pneumatic Tires - Including Quick Heel Style Rims**
- **MyInsights Standard**
- **12-volt power supply**
- **Dealer accessory: Front Windshield with wiper**

**Other Outstanding
Toyota Features**

- Operator Presence Sensing System (OPSS)
- Fully Stamped Steel Side Panels
- Electronic Speed Control
- Weather Protected Electrical System
- Unparalleled Fork Tip Visibility
- Foot Activated Park Brake with High Mount Release
- Electronic Shift Control
- 7" Cyclone Air Cleaner
- Fully Insulated Stamped Steel Engine Hood
- Dual Operator Assist Grips
- Oversized Cup Holder
- Heavy Duty, Non-Slip Rubber Floor Mat

Some standard items listed within this quotation may be replaced or altered due to optional equipment.

Sourcewell
 October 27, 2025
 Quote: 0130104685R1
 Opportunity: 0041433619

Putting technology
to work for you.

SEnS
smart environment sensor



TOYOTA
MATERIAL HANDLING



Scan the QR Code
to learn more

*Not applicable to all models. Click here for more details: <https://www.toyotaforklift.com/sens>

MyInsights (Telematics)

Standard telematics provided on most Toyota forklifts deliver valuable insights and actionable data for your business. Increase uptime, optimize your fleet, and view detailed analytics by completing your free registration at my.toyotaforklift.com today!

Standard Insights:

- Hour Meters, Error Codes, Impact Detection, Location Tracking

Warranty

12 Months or 2,000 hours whichever occurs first: Basic
 36 Months or 6,000 hours whichever occurs first: Powertrain

Warranty coverage for non-standard option components will be covered by the manufacturer of that component and not covered under the Toyota forklift standard or powertrain warranty.

We offer a Toyota factory authorized warranty on all new Toyota Material Handling Equipment.

Investment

Price-Toyota Model 50-8FGU32 as specified above:	\$45,536.80	Each
Net Price including delivery to Downers Grove:	\$45,536.80	Each

Current lead time is about 4 months.

Financing and Maintenance

Toyota Industries Commercial Finance has been providing effective finance solutions to customers since 1985. As Toyota Material Handling's captive finance partner, we are committed to offering customized financing solutions, tailored financing terms, unmatched industry experience, ultimate transparency, and an unparalleled understanding of your unique business needs. In addition, Full Maintenance and Planned Maintenance programs are available.

Sourcewell
October 27, 2025
Quote: 0130104685R1
Opportunity: 0041433619

Terms and Conditions

Payment: Net 30 days / Cash or Financed
Delivery: Will advise at time of order.

F.O.B.: Delivered

Prices are exclusive of any sales or use taxes now in force or which may be made effective in the future by any federal, state, or local governments.

Lease offerings subject to credit approval.

Cancellation:

Buyer may cancel its order, reduce quantities, revise specifications or extend schedules only by mutual agreement.

Reasonable and proper cancellation charges (minimum of 20% of purchase price per unit) will apply and which shall take into account expense already incurred and commitments made by Seller and shall indemnify Seller against any loss.

Performance and specifications stated are based on specific testing and operating conditions. Actual performance and specifications may vary based on application, option configuration, operating conditions, and environmental factors. Some options and configurations may void UL.

Conditions subject to change to those in effect at time of delivery.

Your signature on this proposal constitutes an order.

Please contact your Toyota sales representative for additional information.

PRE-SHIPMENT PRICE INCREASES

We are working to have this removed from our government proposal templates.

We may, on one or more occasions, increase the price of the ordered equipment, and you shall pay the increased prices, if up to 30 days prior to date of shipment, (a) the U.S. Material Handling Equipment Producer Price Index ("MHEPPI") has increased four percent (4%) or more as compared to the MHEPPI as of the date of customer's proposal acceptance; or (b) the manufacturer of the equipment increases the price the seller pays the manufacturer for the ordered equipment due to any new or increased government fees, tariffs or duties. Price increases will correlate to, as applicable, the percentage increase in the MHEPPI or manufacturer price increase.

Sourcewell
October 27, 2025
Quote: 0130104685R1
Opportunity: 0041433619

TELEMATICS AND DATA COLLECTION

The equipment in this proposal is enabled with the MyInsights system (“System”), which collects certain location and operational data concerning the equipment and transmits it to Toyota Material Handling, Inc. for processing and analytics. Your use of the System is subject to the MyInsights Master Agreement or other written agreement explicitly governing your use of the System between you and Toyota Material Handling, Inc. (the “System Master Agreement”). If you and Toyota Material Handling, Inc. are not parties to a System Master Agreement, your use of the System is subject to the MyInsights Telematics Terms and Conditions found at <https://www.toyotaforklift.com/myinsights-legal> (“System Terms”), which are incorporated herein by reference. Your acceptance of this proposal (as provided in the following paragraph), or otherwise using the equipment, constitutes your acceptance of the System Terms and the formation of an agreement between you and Toyota Material Handling, Inc. based on the System Terms. You may opt out of data collection features for the System as provided in, as applicable, the System Master Agreement and System Terms. Failure to opt out signifies your consent and agreement to the collection and usage of data in accordance with, as applicable, the System Master Agreement and System Terms.

QUOTE ACCEPTANCE

This proposal constitutes an offer by us that you may only accept on the terms set forth herein. To accept our offer, you shall (a) sign and return the signed proposal to us; or (b) issue a purchase order that attaches or otherwise references this proposal. If you issue a purchase order under the preceding sentence, the parties acknowledge that any terms (including pre-printed terms) appearing thereon will have no effect and are expressly disclaimed and your acceptance is limited to the terms of this proposal. Your acceptance of any item offered hereunder will be deemed an acceptance of all terms set forth in this proposal.

Servicing Dealer Atlas Toyota Material Handling

Sincerely,
Atlas Toyota Material Handling (MN)

Accepted:
Sourcewell

Cash Price \$ _____

Financed Payment* \$ _____ *Per Month* _____ *Months*

By: _____

Name: Ken Kapela

Title: Account Manager

By: _____

Name: _____

Title: _____

Date: _____

Sourcewell
 October 27, 2025
 Quote: 0130104685R1
 Opportunity: 0041433619

Toyota 360 Support Options (not included in this quotation)

Item	Price	Accepted*
1. Toyota 360 Support Plus 3 36 Months/6,000 Hrs Carriage to Counterweight Warranty 60 Months/6,000 Hrs Major Parts and Component Warranty Up to First (4) PM's Included (Parts and Labor)	\$899	<hr/>
2. Toyota 360 Support Plus 4 48 Months/8,000 Hrs Carriage to Counterweight Warranty 60 Months/8,000 Hrs Major Parts and Component Warranty Up to First (4) PM's Included (Parts and Labor)	\$1099	<hr/>
3. Toyota 360 Support Plus 5 60 Months/10,000 Hrs Carriage to Counterweight Warranty 60 Months/10,000 Hrs Major Parts and Component Warranty Up to First (4) PM's Included (Parts and Labor)	\$1299	<hr/>

* Customer: please signify acceptance of an option by initialing in the space provided.



The banner features the Toyota 360 Support logo on the left, which includes the number '360' in a large orange font with 'SUPPORT' underneath. To the right of the logo is a photograph of three Toyota service technicians in uniform. Further right, the text 'UPGRADE TO TOYOTA 360 SUPPORT PLUS!' is displayed in large, bold, orange and black letters. Below this, a smaller line of text states: 'Includes 1 year of scheduled planned maintenance (up to 4) and additional product assurance.'

*Not applicable to all models. See here for more details: www.ToyotaForklift.com/360-support-encl



PRODUCT PRICING SUMMARY
TIPS 240901 Transportation Vehicles
VENDOR- Silsbee Ford, 1211 Hwy 96 N., Silsbee TX 77656

End User: VILLAGE OF DOWNERS IL Prepared by: SETH GAMBLIN
 Contact: _____ Phone: 512.436.1313
 Email: _____ Email: SGAMBLIN.SILSBEEFLEET@GMAIL.COM
 Product Description: FORD POLICE INTERCEPTOR UTILITY Date: February 19, 2026

A. Bid Item: _____ A. Base Price: \$ **48,395.00**

B. Factory Options

Code	Description	Bid Price	Code	Description	Bid Price
K8A	2026 FORD PIU	\$ 1,995.00			
99B	3.3L V6 DIRECT-INJECTION ENGINE	\$ -			
86T	TAIL LAMP/POLICE HOUSING	inc			
17A	AUX AIR	inc			
55F	KEY FOB 6 totsl	inc			
60A	GRILLE LIGHTS, SIREN, SPEAKER WIRING	inc			
61B	OBD-II SPLITTER	inc			
51R	DRIVER SIDE SPOT LED	\$ 495.00			

Total of B. Published Options: \$ **2,490.00**

Published Option Discount (5%) \$ **(24.75)**

C. Unpublished Options

\$= 52.5 %

Description	Bid Price	Options	Bid Price
		EXTERIOR- BLACK	
DANA INSTALL	\$ 26,723.00	INTERIOR- 96	

Total of C. Unpublished Options: \$ **26,723.00**

D. Floor Plan Interest (for in-stock and/or equipped vehicles): \$ **500.00**

E. Lot Insurance (for in-stock and/or equipped vehicles): \$ **-**

F. Contract Price Adjustment: DROPPED TO DANA MEMPHIS

G. Additional Delivery Charge: 0 \$ **-**

H. Subtotal: \$ **78,083.25**

I. Quantity Ordered 3 x H = \$ **234,249.75**

J. Trade in: _____

K. _____

L. Total Purchase Price \$ **234,249.75**

DANA SAFETY SUPPLY, INC
500 S EDWARDIA DR
GREENSBORO, NC 27409

Sales Quote

Telephone: 800-845-0045

Sales Quote No.	613439-B
Customer No.	DUVALF

Bill To
DUVAL FORD 405 Lane Ave N Jacksonville, FL 32254

Ship To
Downers Grove IL United States

Contact: RICHARD TACKETT
Telephone: 904-388-2144
E-mail: RICHARD.TACKETT@DUVALFORD.COM

Contact:
Telephone:
E-mail:

Quote Date	Ship Via	F.O.B.	Customer PO Number	Payment Method	
02/07/26	UPS GROUND FREIGHT	QUOTED FREIGHT		2/10 NET30	
Entered By	Salesperson	Ordered By	Resale Number		
Patrick Hope	Patrick Hope - Nashville		26-80154997700		
Order Quantity	Approve Quantity	Tax	Item Number / Description	Unit Price	Extended Price
1	1	N	INFO Police Explorers for Village of Downers Grove IL Warehouse: NASH	0.0000	0.00
1	1	Y	EVP EMERGENCY VEHICLE PACKAGE Warehouse: NASH Federal Signal 53" Allegiant Dual Color FS Front ILS Light Bar Dual Color FS Rear ILS Light Bar Dual Color PF200S17B Pathfinder PFPDM-1 pwr mod EXPMOD-2 expansion mod EXPMOD24 exp mod OBD CABLE25- EXPHARN04 PFSYNC-1 FED SIG RUMBLER or SOI AFTERSHOCK 2) ETSS100J Speakers Brackets	26,723.0000	26,723.00
1	1	N	INFO All vehicle spec. items will be converted to Explorer Warehouse: NASH	0.0000	0.00
1	1	Y	MISC FEDSIG Push Bumper with 4 front facing LEDs Warehouse: NASH	0.0000	0.00

Print Date	02/07/26
Print Time	11:19:26 AM
Page No.	1

Continued on Next Page

DANA SAFETY SUPPLY, INC
500 S EDWARDIA DR
GREENSBORO, NC 27409

Sales Quote

Telephone: 800-845-0045

Sales Quote No.	613439-B
Customer No.	DUVALF

Bill To
DUVAL FORD 405 Lane Ave N Jacksonville, FL 32254

Ship To
Downers Grove IL United States

Contact: RICHARD TACKETT
Telephone: 904-388-2144
E-mail: RICHARD.TACKETT@DUVALFORD.COM

Contact:
Telephone:
E-mail:

Quote Date	Ship Via	F.O.B.	Customer PO Number	Payment Method	
02/07/26	UPS GROUND FREIGHT	QUOTED FREIGHT		2/10 NET30	
Entered By	Salesperson	Ordered By	Resale Number		
Patrick Hope	Patrick Hope - Nashville		26-80154997700		
Order Quantity	Approve Quantity	Tax	Item Number / Description	Unit Price	Extended Price
8	8	Y	MPS63UX-RBW FEDSIG MICROPULSE ULTRA R/B/W STEADYBURN WITH MIC Warehouse: NASH 2) by license plate 2) under rear hatch 2) per side between push bumper and front wheel well	0.0000	0.00
1	1	Y	ICSPL21-AW FED SIG LIGHT BAR, 21.5" FLOOD/SPOT Warehouse: NASH on push bar	0.0000	0.00
2	2	Y	XSM2-BRW-US FEDSIG SPECTRALUX THREE COLOR Warehouse: NASH rear side glass	0.0000	0.00
2	2	Y	MPSW9X-RBW FEDSIG MPS WIDE ANG RED/BLUE/WHITE Warehouse: NASH Under sideview mirrors	0.0000	0.00
2	2	Y	MISC Brackets Warehouse: NASH	0.0000	0.00

Print Date	02/07/26
Print Time	11:19:26 AM
Page No.	2

Continued on Next Page

DANA SAFETY SUPPLY, INC
500 S EDWARDIA DR
GREENSBORO, NC 27409

Sales Quote

Telephone: 800-845-0045

Sales Quote No.	613439-B
Customer No.	DUVALF

Bill To
DUVAL FORD 405 Lane Ave N Jacksonville, FL 32254

Ship To
Downers Grove IL United States

Contact: RICHARD TACKETT
Telephone: 904-388-2144
E-mail: RICHARD.TACKETT@DUVALFORD.COM

Contact:
Telephone:
E-mail:

Quote Date	Ship Via	F.O.B.	Customer PO Number	Payment Method
02/07/26	UPS GROUND FREIGHT	QUOTED FREIGHT		2/10 NET30
Entered By		Salesperson	Ordered By	Resale Number
Patrick Hope		Patrick Hope - Nashville		26-80154997700

Order Quantity	Approve Quantity	Tax	Item Number / Description	Unit Price	Extended Price
2	2	Y	MISC Runner Lights RBW Warehouse: NASH	0.0000	0.00
3	3	Y	MMSU-1 MAGNETIC MIC SINGLE UNIT CONVERSION KIT Warehouse: NASH	0.0000	0.00
1	1	Y	MISC Blacrac s t-rail 1082e Warehouse: NASH	0.0000	0.00
1	1	Y	TK1460DUR11 SMC EZ LIFT CARGO DECK wTRAY&LOCK 11-20DURANGO Warehouse: NASH	0.0000	0.00
1	1	Y	MISC S4D Cargoraxx Warehouse: NASH	0.0000	0.00
1	1	Y	MDASHCPE CODE3 MICRODASH PREEMPTION TRAFFIC SIGNAL DASH MTD LT Warehouse: NASH ***** FORMERLY A NOVA PRODUCT *****	0.0000	0.00

Print Date	02/07/26
Print Time	11:19:26 AM
Page No.	3

Sales Quote

DANA SAFETY SUPPLY, INC
500 S EDWARDIA DR
GREENSBORO, NC 27409

Telephone: 800-845-0045

Sales Quote No.	613439-B
Customer No.	DUVALF

Bill To
DUVAL FORD 405 Lane Ave N Jacksonville, FL 32254

Ship To
Downers Grove IL United States

Contact: RICHARD TACKETT
Telephone: 904-388-2144
E-mail: RICHARD.TACKETT@DUVALFORD.COM

Contact:
Telephone:
E-mail:

Quote Date	Ship Via	F.O.B.	Customer PO Number	Payment Method
02/07/26	UPS GROUND FREIGHT	QUOTED FREIGHT		2/10 NET30
Entered By		Salesperson	Ordered By	Resale Number
Patrick Hope		Patrick Hope - Nashville		26-80154997700

Order Quantity	Approve Quantity	Tax	Item Number / Description	Unit Price	Extended Price
1	1	Y	C-VS-1900-DUR-PM HAV, CONSOLE BOX, 2021-24 DURANGO, RMK TAB, 19", +P Warehouse: NASH 19" Console With PocketJet 6 & 7 Internal Printer Mount For 2021-2024 Dodge Durango Pursuit. Printer module accepts PocketJet 6 and 7 printers included in PJ-622, 623, 662, 663, 673, 722, 723, 762, 763 and 773 Model kits FACEPLATES NEEDED - 1) 1) 1) 1) *FILLER PLATES TO CLOSE CONSOLE Gross Weight: 37 lbs	0.0000	0.00
1	1	Y	C-HDM-204 HAV TELESCOPING SIDE MOUNTED POLE ASSY Warehouse: NASH C-HDM-204 MOUNTS TO SIDE OF CONSOLE BOX *****	0.0000	0.00

Print Date	02/07/26
Print Time	11:19:26 AM
Page No.	5

DANA SAFETY SUPPLY, INC
500 S EDWARDIA DR
GREENSBORO, NC 27409

Sales Quote

Telephone: 800-845-0045

Sales Quote No.	613439-B
Customer No.	DUVALF

Bill To
DUVAL FORD 405 Lane Ave N Jacksonville, FL 32254

Ship To
Downers Grove IL United States

Contact: RICHARD TACKETT
Telephone: 904-388-2144
E-mail: RICHARD.TACKETT@DUVALFORD.COM

Contact:
Telephone:
E-mail:

Quote Date	Ship Via	F.O.B.	Customer PO Number	Payment Method	
02/07/26	UPS GROUND FREIGHT	QUOTED FREIGHT		2/10 NET30	
Entered By	Salesperson	Ordered By	Resale Number		
Patrick Hope	Patrick Hope - Nashville		26-80154997700		
Order Quantity	Approve Quantity	Tax	Item Number / Description	Unit Price	Extended Price
1	1	Y	MISC Blackout Mod Warehouse: NASH	0.0000	0.00
0	0	Y	RBDM-G55WW-17-SSRRB ARC RF MAX 4G/5G 5-1 ANTENNA FOR CELLULAR ROUTER Warehouse: NASH 4G/5G Antenna for Cradlepoint IBR1100, IBR900 and any 5-in-1 cellular modem https://www.arcantenna.com/products/4g-5g-5-in-1-antenna-for-vehicular-cellular-routers-with-17-ft-cables-band-71-cbrs-wifi6-test	0.0000	0.00
0	0	Y	MISC RCB150/450/758 antenna triband Warehouse: NASH	0.0000	0.00
0	0	Y	MISC roof mount nmo Warehouse: NASH	0.0000	0.00

Print Date	02/07/26
Print Time	11:19:26 AM
Page No.	4

Continued on Next Page

DANA SAFETY SUPPLY, INC
500 S EDWARDIA DR
GREENSBORO, NC 27409

Sales Quote

Telephone: 800-845-0045

Sales Quote No.	613439-B
Customer No.	DUVALF

Bill To
DUVAL FORD 405 Lane Ave N Jacksonville, FL 32254

Ship To
Downers Grove IL United States

Contact: RICHARD TACKETT
Telephone: 904-388-2144
E-mail: RICHARD.TACKETT@DUVALFORD.COM

Contact:
Telephone:
E-mail:

Quote Date	Ship Via	F.O.B.	Customer PO Number	Payment Method	
02/07/26	UPS GROUND FREIGHT	QUOTED FREIGHT		2/10 NET30	
Entered By	Salesperson	Ordered By	Resale Number		
Patrick Hope	Patrick Hope - Nashville		26-80154997700		
Order Quantity	Approve Quantity	Tax	Item Number / Description	Unit Price	Extended Price
1	1	Y	C-MD-112 HAV 11' SLIDE, TILT, & SWIVEL LOCKING SWING ARM Warehouse: NASH REPLACES DISCONTINUED # C-MD-102 *****	0.0000	0.00
1	1	Y	CUP2-1001 HAV Self-Adjusting Double Cup Holder Warehouse: NASH	0.0000	0.00
1	1	Y	C-ARM-108 HAV SIDE MOUNTED FLIP UP ARM REST Warehouse: NASH	0.0000	0.00
1	1	Y	83142 TES 17' COAXIAL / W MIN IUHF Warehouse: NASH	0.0000	0.00
1	1	Y	MISC RW Dome LT Horizontal CODE-3 mount in cargo area Warehouse: NASH	0.0000	0.00
1	1	Y	WK0514DUR11H SMC HORIZONTAL WINDOW BARS 11+ DURANGO Warehouse: NASH	0.0000	0.00
1	1	Y	PK1130DUR11 SMC #10XL Coated Polycarbonate Horizontal Sliding Wind Warehouse: NASH	0.0000	0.00

Print Date	02/07/26
Print Time	11:19:26 AM
Page No.	6

Continued on Next Page

DANA SAFETY SUPPLY, INC
500 S EDWARDIA DR
GREENSBORO, NC 27409

Sales Quote

Telephone: 800-845-0045

Sales Quote No.	613439-B
Customer No.	DUVALF

Bill To
DUVAL FORD 405 Lane Ave N Jacksonville, FL 32254

Ship To
Downers Grove IL United States

Contact: RICHARD TACKETT
Telephone: 904-388-2144
E-mail: RICHARD.TACKETT@DUVALFORD.COM

Contact:
Telephone:
E-mail:

Quote Date	Ship Via	F.O.B.	Customer PO Number	Payment Method
02/07/26	UPS GROUND FREIGHT	QUOTED FREIGHT		2/10 NET30
Entered By		Salesperson	Ordered By	Resale Number
Patrick Hope		Patrick Hope - Nashville		26-80154997700

Order Quantity	Approve Quantity	Tax	Item Number / Description	Unit Price	Extended Price
1	1	Y	QK0566DUR11 SMC OEM REPLACEMENT PRISONER SEAT W/12VS-COATEL POLY Warehouse: NASH 2018 DURANGO OEM Full Replacement Transport Seat TPO Plastic, with Center Pull Seat Belts & #12 Coated Polycarbonate Cargo Partition STATE YEAR OF VEHICLE - *****	0.0000	0.00
1	1	N	INFO Polycarbonate window on rear cage Warehouse: NASH	0.0000	0.00
1	1	N	TRANSPORT Delivery to Downers Grove IL Warehouse: NASH	0.0000	0.00
1	1	Y	7616-2001B EGIS DUAL TIME DELAY RELAY W/FULL HARNESS Warehouse: NASH	0.0000	0.00
1	1	Y	4703-100B Egis Circuit Breaker, Surface Mount, 100 Amp Warehouse: NASH	0.0000	0.00
1	1	Y	5026B BlueSea 12 Circuit Fuse Block w/ Ground Bus and Cover Warehouse: NASH	0.0000	0.00

Print Date	02/07/26
Print Time	11:19:26 AM
Page No.	7

DANA SAFETY SUPPLY, INC
500 S EDWARDIA DR
GREENSBORO, NC 27409

Sales Quote

Telephone: 800-845-0045

Sales Quote No.	613439-B
Customer No.	DUVALF

Bill To

DUVAL FORD
 405 Lane Ave N
 Jacksonville, FL 32254

Ship To

Downers Grove
 IL United States

Contact: RICHARD TACKETT
Telephone: 904-388-2144
E-mail: RICHARD.TACKETT@DUVALFORD.COM

Contact:
Telephone:
E-mail:

Quote Date	Ship Via	F.O.B.	Customer PO Number	Payment Method
02/07/26	UPS GROUND FREIGHT	QUOTED FREIGHT		2/10 NET30
Entered By		Salesperson	Ordered By	Resale Number
Patrick Hope		Patrick Hope - Nashville		26-80154997700

Order Quantity	Approve Quantity	Tax	Item Number / Description	Unit Price	Extended Price
1	1	Y	5025B BlueSea 6 Circuit ST Fuse Block w/ Cover & Ground Bus Warehouse: NASH	0.0000	0.00
1	1	N	INFO Customer Supplied Warehouse: NASH Axon System, cradlepoint, laptop cradle	0.0000	0.00
1	1	Y	Motorola Radio, cables, speaker, mount INSTALL KIT MISC INSTALLATION SUPPLIES I.E. Warehouse: NASH	0.0000	0.00
1	1	Y	LOOM, WIRE, HARDWARE, CONNECTORS, ETC ***** INSTALL DSS INSTALLATION OF EQUIPMENT Warehouse: NASH	0.0000	0.00

Approved By: _____

Approve All Items & Quantities

Quote Good for 30 Days

Print Date	02/07/26
Print Time	11:19:26 AM
Page No.	8

Subtotal	26,723.00
Freight	0.00
Order Total	26,723.00

By accepting this quote/order, the customer expressly acknowledges and agrees that to the extent not expressly prohibited by law, and except to the extent arising from or relating to the gross negligence or willful misconduct of DSS, its agents or its employees, DSS shall not be liable to the customer, or any third party for any damage to the vehicle/products resulting from or arising out of any ACTS OF GOD, including without limitation, any fires, floods, earthquakes, tornados, hail or similar weather events.

PRODUCT PRICING SUMMARY BASED ON CONTRACT
BUYBOARD #724-23 CHASSIS
Grapevine Dodge Chrysler Jeep 2601 William D Tate, Grapevine, TX 76051

End Use: Downers Grove IL Rep: Dennis Thomas

Contact: PAT HOPE Phone: 817-410-7541

Phone/Email: _____ Email: dthomas@grapevinedcj.com

Product Description: DODGE DURANGO POLICE Date: 01/12/2026

A. Bid Series DURANGO POLICE

A. Base Price:

39,280

B. Published Options [Itemize each below]

Code	Options	Bid Price	Code	Options	Bid Price
WDEE75	26 POLICE DURANGO AWD		22Z	POLICE 5.7L HEMI V8	
	VAPOR GRAY			CLOTH FRONT - VINYL REAR	
ADL	SKIDPLATES		LNF	LED SPOTLAMP	
Total of B. Published Options:					8,250

C. Unpublished Options

\$= 0.0%

Options	Bid Price	Options	Bid Price
		Dana Safety Upfit	24,410
Total of C. Unpublished Options:			

D. Pre-delivery Inspection:		
E. Texas State Inspection:		\$
F. Manufacturer Destination/Delivery:		\$
G. Floor Plan Interest (for in-stock and/or equipped vehicles):		\$
H. Lot Insurance (for in stock and/or equipped vehicles):		\$
I. Contract Price Adjustment:	_____	\$
J. Additional Delivery Charge:	_____ miles	
K. Subtotal:		\$71,940
L. Quantity Ordered <u>1</u> x K =		\$71,940
M. Trade in:	_____	
N. BUYBOARD Administrative Fee (\$400 per purchase order)		\$400.00
O. TOTAL PURCHASE PRICE INCLUDING BUYBOARD FEE		\$72,340

DANA SAFETY SUPPLY, INC
500 S EDWARDIA DR
GREENSBORO, NC 27409

Sales Quote

Telephone: 800-845-0045

Sales Quote No.	613437-B
Customer No.	GRAPEDCJ

Bill To
GRAPEVINE DODGE CHRYSLER JEEP 2601 William D Tate Ave Grapevine, TX 76051

Ship To
Downers Grove IL

Contact: DENNIS THOMAS
Telephone: 817-410-7541
E-mail: DTHOMAS@GRAPEVINEDCJ.COM

Contact:
Telephone:
E-mail:

Quote Date	Ship Via	F.O.B.	Customer PO Number	Payment Method	
02/07/26	UPS GROUND FREIGHT	QUOTED FREIGHT		NET30	
Entered By		Salesperson	Ordered By	Resale Number	
Patrick Hope		Patrick Hope - Nashville			
Order Quantity	Approve Quantity	Tax	Item Number / Description	Unit Price	Extended Price
1	1	N	INFO Durango for Village of Downers Grove IL Warehouse: NASH	0.0000	0.00
1	1	Y	EVP EMERGENCY VEHICLE PACKAGE Warehouse: NASH FS Front ILS Light Bar Dual Color FS Rear ILS Light Bar Dual Color PF200S17B Pathfinder PFPDM-1 pwr mod EXPMOD-2 expansion mod EXPMOD24 exp mod OBDCABLE25- EXPHARN04 PFSYNC-1 FED SIG RUMBLER or SOI AFTERSHOCK 2) ETSS100J Speakers Brackets	24,410.0000	24,410.00
12	12	Y	MPS63UX-RBW FEDSIG MICROPULSE ULTRA R/B/W STEADYBURN WITH MIC Warehouse: NASH 2) by license plate 2) under rear hatch 2) per side between grille and front wheel well 4) in grille	0.0000	0.00

Print Date	02/07/26
Print Time	11:53:05 AM
Page No.	1

DANA SAFETY SUPPLY, INC
500 S EDWARDIA DR
GREENSBORO, NC 27409

Sales Quote

Telephone: 800-845-0045

Sales Quote No.	613437-B
Customer No.	GRAPEDCJ

Bill To
GRAPEVINE DODGE CHRYSLER JEEP 2601 William D Tate Ave Grapevine, TX 76051

Ship To
Downers Grove IL

Contact: DENNIS THOMAS
Telephone: 817-410-7541
E-mail: DTHOMAS@GRAPEVINEDCJ.COM

Contact:
Telephone:
E-mail:

Quote Date	Ship Via	F.O.B.	Customer PO Number	Payment Method	
02/07/26	UPS GROUND FREIGHT	QUOTED FREIGHT		NET30	
Entered By		Salesperson	Ordered By	Resale Number	
Patrick Hope		Patrick Hope - Nashville			
Order Quantity	Approve Quantity	Tax	Item Number / Description	Unit Price	Extended Price
2	2	Y	XSM2-BRW-US FEDSIG SPECTRALUX THREE COLOR Warehouse: NASH rear side glass	0.0000	0.00
2	2	Y	MPSW9X-RBW FEDSIG MPS WIDE ANG RED/BLUE/WHITE Warehouse: NASH Under sideview mirrors	0.0000	0.00
2	2	Y	MISC Brackets Warehouse: NASH	0.0000	0.00
2	2	Y	MISC Runner Lights RBW Warehouse: NASH	0.0000	0.00
3	3	Y	MMSU-1 MAGNETIC MIC SINGLE UNIT CONVERSION KIT Warehouse: NASH	0.0000	0.00
1	1	Y	MISC Blacrac s t-rail 1082e Warehouse: NASH	0.0000	0.00
1	1	Y	TK1460DUR11 SMC EZ LIFT CARGO DECK wTRAY&LOCK 11-20DURANGO Warehouse: NASH	0.0000	0.00

Print Date	02/07/26
Print Time	11:53:05 AM
Page No.	2

DANA SAFETY SUPPLY, INC
500 S EDWARDIA DR
GREENSBORO, NC 27409

Sales Quote

Telephone: 800-845-0045

Sales Quote No.	613437-B
Customer No.	GRAPEDCJ

Bill To
GRAPEVINE DODGE CHRYSLER JEEP 2601 William D Tate Ave Grapevine, TX 76051

Ship To
Downers Grove IL

Contact: DENNIS THOMAS
Telephone: 817-410-7541
E-mail: DTHOMAS@GRAPEVINEDCJ.COM

Contact:
Telephone:
E-mail:

Quote Date	Ship Via	F.O.B.	Customer PO Number	Payment Method	
02/07/26	UPS GROUND FREIGHT	QUOTED FREIGHT		NET30	
Entered By		Salesperson	Ordered By	Resale Number	
Patrick Hope		Patrick Hope - Nashville			
Order Quantity	Approve Quantity	Tax	Item Number / Description	Unit Price	Extended Price
1	1	Y	MISC S4D Cargoraxx Warehouse: NASH	0.0000	0.00
1	1	Y	MDASHCPE CODE3 MICRODASH PREEMPTION TRAFFIC SIGNAL DASH MTD LT Warehouse: NASH ***** FORMERLY A NOVA PRODUCT *****	0.0000	0.00
1	1	Y	MISC Blackout Mod Warehouse: NASH	0.0000	0.00
0	0	Y	RBDM-G55WW-17-SSRRB ARC RF MAX 4G/5G 5-1 ANTENNA FOR CELLULAR ROUTER Warehouse: NASH 4G/5G Antenna for Cradlepoint IBR1100, IBR900 and any 5-in-1 cellular modem https://www.arcantenna.com/products/4g-5g-5-in-1-antenna-for-vehicular-cellular-routers-with-17-ft-cables-band-71-cbrs-wifi6-test	0.0000	0.00
0	0	Y	MISC RCB150/450/758 antenna triband Warehouse: NASH	0.0000	0.00

Print Date	02/07/26
Print Time	11:53:05 AM
Page No.	3

DANA SAFETY SUPPLY, INC
500 S EDWARDIA DR
GREENSBORO, NC 27409

Sales Quote

Telephone: 800-845-0045

Sales Quote No.	613437-B
Customer No.	GRAPEDCJ

Bill To
GRAPEVINE DODGE CHRYSLER JEEP 2601 William D Tate Ave Grapevine, TX 76051

Ship To
Downers Grove IL

Contact: DENNIS THOMAS
Telephone: 817-410-7541
E-mail: DTHOMAS@GRAPEVINEDCJ.COM

Contact:
Telephone:
E-mail:

Quote Date	Ship Via	F.O.B.	Customer PO Number	Payment Method	
02/07/26	UPS GROUND FREIGHT	QUOTED FREIGHT		NET30	
Entered By		Salesperson	Ordered By	Resale Number	
Patrick Hope		Patrick Hope - Nashville			
Order Quantity	Approve Quantity	Tax	Item Number / Description	Unit Price	Extended Price
0	0	Y	MISC roof mount nmo Warehouse: NASH	0.0000	0.00
1	1	Y	C-VS-1900-DUR-PM HAV, CONSOLE BOX, 2021-24 DURANGO, RMK TAB, 19", +P Warehouse: NASH 19" Console With PocketJet 6 & 7 Internal Printer Mount For 2021-2024 Dodge Durango Pursuit. Printer module accepts PocketJet 6 and 7 printers included in PJ-622, 623, 662, 663, 673, 722, 723, 762, 763 and 773 Model kits FACEPLATES NEEDED - 1) 1) 1) 1) *FILLER PLATES TO CLOSE CONSOLE Gross Weight: 37 lbs	0.0000	0.00
1	1	Y	C-HDM-204 HAV TELESCOPING SIDE MOUNTED POLE ASSY Warehouse: NASH C-HDM-204 MOUNTS TO SIDE OF CONSOLE BOX *****	0.0000	0.00

Print Date	02/07/26
Print Time	11:53:05 AM
Page No.	4

DANA SAFETY SUPPLY, INC
500 S EDWARDIA DR
GREENSBORO, NC 27409

Sales Quote

Telephone: 800-845-0045

Sales Quote No.	613437-B
Customer No.	GRAPEDCJ

Bill To
GRAPEVINE DODGE CHRYSLER JEEP 2601 William D Tate Ave Grapevine, TX 76051

Ship To
Downers Grove IL

Contact: DENNIS THOMAS
Telephone: 817-410-7541
E-mail: DTHOMAS@GRAPEVINEDCJ.COM

Contact:
Telephone:
E-mail:

Quote Date	Ship Via	F.O.B.	Customer PO Number	Payment Method	
02/07/26	UPS GROUND FREIGHT	QUOTED FREIGHT		NET30	
Entered By	Salesperson	Ordered By	Resale Number		
Patrick Hope	Patrick Hope - Nashville				
Order Quantity	Approve Quantity	Tax	Item Number / Description	Unit Price	Extended Price
1	1	Y	C-MD-112 HAV 11' SLIDE, TILT, & SWIVEL LOCKING SWING ARM Warehouse: NASH REPLACES DISCONTINUED # C-MD-102 *****	0.0000	0.00
1	1	Y	CUP2-1001 HAV Self-Adjusting Double Cup Holder Warehouse: NASH	0.0000	0.00
1	1	Y	C-ARM-108 HAV SIDE MOUNTED FLIP UP ARM REST Warehouse: NASH	0.0000	0.00
1	1	Y	83142 TES 17' COAXIAL / W MIN IUHF Warehouse: NASH	0.0000	0.00
1	1	Y	MISC RW Dome LT Horizontal CODE-3 mount in cargo area Warehouse: NASH	0.0000	0.00
1	1	Y	WK0514DUR11H SMC HORIZONTAL WINDOW BARS 11+ DURANGO Warehouse: NASH	0.0000	0.00
1	1	Y	PK1130DUR11 SMC #10XL Coated Polycarbonate Horizontal Sliding Wind Warehouse: NASH	0.0000	0.00

Print Date	02/07/26
Print Time	11:53:05 AM
Page No.	5

Continued on Next Page

Sales Quote

DANA SAFETY SUPPLY, INC
500 S EDWARDIA DR
GREENSBORO, NC 27409

Telephone: 800-845-0045

Sales Quote No.	613437-B
Customer No.	GRAPEDCJ

Bill To
GRAPEVINE DODGE CHRYSLER JEEP 2601 William D Tate Ave Grapevine, TX 76051

Ship To
Downers Grove IL

Contact: DENNIS THOMAS
Telephone: 817-410-7541
E-mail: DTHOMAS@GRAPEVINEDCJ.COM

Contact:
Telephone:
E-mail:

Quote Date	Ship Via	F.O.B.	Customer PO Number	Payment Method	
02/07/26	UPS GROUND FREIGHT	QUOTED FREIGHT		NET30	
Entered By	Salesperson	Ordered By	Resale Number		
Patrick Hope	Patrick Hope - Nashville				
Order Quantity	Approve Quantity	Tax	Item Number / Description	Unit Price	Extended Price
1	1	Y	QK0566DUR11 SMC OEM REPLACEMENT PRISONER SEAT W/12VS-COATEI POLY Warehouse: NASH 2018 DURANGO OEM Full Replacement Transport Seat TPO Plastic, with Center Pull Seat Belts & #12 Coated Polycarbonate Cargo Partition STATE YEAR OF VEHICLE - *****	0.0000	0.00
1	1	N	INFO Polycarbonate window on rear cage Warehouse: NASH	0.0000	0.00
1	1	N	TRANSPORT Delivery to Downers Grove IL Warehouse: NASH	0.0000	0.00
1	1	Y	7616-2001B EGIS DUAL TIME DELAY RELAY W/FULL HARNESS Warehouse: NASH	0.0000	0.00
1	1	Y	4703-100B Egis Circuit Breaker, Surface Mount, 100 Amp Warehouse: NASH	0.0000	0.00
1	1	Y	5026B BlueSea 12 Circuit Fuse Block w/ Ground Bus and Cover Warehouse: NASH	0.0000	0.00

Print Date	02/07/26
Print Time	11:53:05 AM
Page No.	6

Sales Quote

DANA SAFETY SUPPLY, INC
500 S EDWARDIA DR
GREENSBORO, NC 27409

Telephone: 800-845-0045

Sales Quote No.	613437-B
Customer No.	GRAPEDCJ

Bill To
GRAPEVINE DODGE CHRYSLER JEEP 2601 William D Tate Ave Grapevine, TX 76051

Ship To
Downers Grove IL

Contact: DENNIS THOMAS
Telephone: 817-410-7541
E-mail: DTHOMAS@GRAPEVINEDCJ.COM

Contact:
Telephone:
E-mail:

Quote Date	Ship Via	F.O.B.	Customer PO Number	Payment Method
02/07/26	UPS GROUND FREIGHT	QUOTED FREIGHT		NET30
Entered By		Salesperson	Ordered By	Resale Number
Patrick Hope		Patrick Hope - Nashville		

Order Quantity	Approve Quantity	Tax	Item Number / Description	Unit Price	Extended Price
1	1	Y	5025B BlueSea 6 Circuit ST Fuse Block w/ Cover & Ground Bus Warehouse: NASH	0.0000	0.00
1	1	N	INFO Customer Supplied Warehouse: NASH Axon System, cradlepoint, laptop cradle	0.0000	0.00
1	1	Y	Motorola Radio, cables, speaker, mount INSTALL KIT MISC INSTALLATION SUPPLIES I.E. Warehouse: NASH LOOM, WIRE, HARDWARE, CONNECTORS, ETC *****	0.0000	0.00
1	1	Y	INSTALL DSS INSTALLATION OF EQUIPMENT Warehouse: NASH	0.0000	0.00

Approved By: _____

Approve All Items & Quantities

Quote Good for 30 Days

Print Date	02/07/26
Print Time	11:53:05 AM
Page No.	7

Subtotal	24,410.00
Freight	0.00
Order Total	24,410.00

By accepting this quote/order, the customer expressly acknowledges and agrees that to the extent not expressly prohibited by law, and except to the extent arising from or relating to the gross negligence or willful misconduct of DSS, its agents or its employees, DSS shall not be liable to the customer, or any third party for any damage to the vehicle/products resulting from or arising out of any ACTS OF GOD, including without limitation, any fires, floods, earthquakes, tornados, hail or similar weather events.

State Contract: B-41660 JPMC Joint Purchase
Bid Number: 24-416CMS-BOSS-B-41660



MV607 SBA

Sales Proposal For:

Village of Downers Grove

Presented By:

RUSH TRUCK CENTERS

INTERNATIONAL

October 28, 2025

Prepared For:

Village of Downers Grove
 Tim Vos
 5101 Walnut Ave.
 Downers Grove, IL 60515-4046
 (630)434 - 5951
 Reference ID: N/A

Presented By:

RUSH TRUCK CENTERS
 Christopher S Wilson
 3441 Gatlin Road
 Springfield IL 62707 -
 (217)718-2220

Thank you for the opportunity to provide you with the following quotation on a new International truck. I am sure the following detailed specification will meet your operational requirements, and I look forward to serving your business needs.

Model Profile
2026 MV607 SBA (MV607)

AXLE CONFIG: 4X2
APPLICATION: Front Plow with spreader
MISSION: Requested GVWR: 35700. Calc. GVWR: 35700. Calc. GCWR: 60000
 Calc. Start / Grade Ability: 41.18% / 2.48% @ 55 MPH
 Calc. Geared Speed: 74.3 MPH
DIMENSION: Wheelbase: 163.00, CA: 95.90, Axle to Frame: 65.00
ENGINE, DIESEL: {Cummins L9 300} EPA 2024, 300HP @ 2200 RPM, 860 lb-ft Torque @ 1200 RPM, 2200 RPM
 Governed Speed, 300 Peak HP (Max)
TRANSMISSION, AUTOMATIC: {Allison 3500 RDS} 6th Generation Controls, Wide Ratio, 6-Speed with Double Overdrive, with
 PTO Provision, Less Retarder, Includes Oil Level Sensor, with 80,000-lb GVW and GCW Max,
 On/Off Highway
CLUTCH: Omit Item (Clutch & Control)
AXLE, FRONT NON-DRIVING: {Meritor MFS-14-122A} I-Beam Type, 14,700-lb Capacity
AXLE, REAR, SINGLE: {Dana Spicer 21060D} Single Reduction, 21,000-lb Capacity, Driver Control Locking Differential,
 R Wheel Ends Gear Ratio: 5.57
CAB: Conventional, Day Cab
TIRE, FRONT: (2) 315/80R22.5 Load Range L HAU 3 WT (CONTINENTAL), 480 rev/mile, 68 MPH, All-Position
TIRE, REAR: (4) 11R22.5 Load Range G HDR2+ (CONTINENTAL), 491 rev/mile, 75 MPH, Drive
SUSPENSION, REAR, SINGLE: 23,500-lb Capacity, Vari-Rate Springs
PAINT: Cab schematic 100WP
 Location 1: 9219, Winter White (Std)
 Chassis schematic N/A

◀ INTERNATIONAL

Vehicle Specifications
2026 MV607 SBA (MV607)

October 28, 2025

Code	Description
MV60700	Base Chassis, Model MV607 SBA with 163.00 Wheelbase, 95.90 CA, and 65.00 Axle to Frame.
1ANA	AXLE CONFIGURATION 4x2
	<u>Notes</u> : Pricing may change if axle configuration is changed.
1CAE	FRAME RAILS Heat Treated Alloy Steel (120,000 PSI Yield); 10.125" x 3.580" x 0.312" (257.2mm x 90.9mm x 8.0mm); 460.0" (11684mm) Maximum OAL
1LSE	BUMPER, FRONT Swept Back, Steel, Painted Gray, Heavy Duty
1WDS	FRAME EXTENSION, FRONT Integral; 20" In Front of Grille
1WEH	WHEELBASE RANGE 134" (340cm) Through and Including 197" (500cm)
2AVT	AXLE, FRONT NON-DRIVING {Meritor MFS-14-122A} I-Beam Type, 14,700-lb Capacity
3770	SPRINGS, FRONT AUXILIARY Rubber
3AJS	SUSPENSION, FRONT, SPRING Parabolic Taper Leaf, Shackle Type, 14,700-lb Capacity, with Shock Absorbers
	<u>Notes</u> : In combinations where chassis component weights may cause a chassis lean, a spring is used in front left spring pack to offset this imbalance & provide a level chassis, within 3/8", with body installed.
4091	BRAKE SYSTEM, AIR Dual System for Straight Truck Applications
	<u>Includes</u> : BRAKE LINES Color and Size Coded Nylon : DRAIN VALVE Twist-Type : GAUGE, AIR PRESSURE (2) Air 1 and Air 2 Gauges; Located in Instrument Cluster : PARKING BRAKE CONTROL Yellow Knob, Located on Instrument Panel : PARKING BRAKE VALVE For Truck : QUICK RELEASE VALVE On Rear Axle for Spring Brake Release: 1 for 4x2, 2 for 6x4 : SPRING BRAKE MODULATOR VALVE R-7 for 4x2, SR-7 with relay valve for 6x4/8x6
4619	TRAILER CONNECTIONS Four-Wheel, with Hand Control Valve and Tractor Protection Valve, for Straight Truck
	<u>Notes</u> : When electronic stability control is ordered with trailer connections on a 4x2 truck, please check the operator manual for trailer weight restrictions.
4722	DRAIN VALVE {Bendix DV-2} Automatic, with Heater, for Air Tank
4AZA	AIR BRAKE ABS {Bendix AntiLock Brake System} 4-Channel (4 Sensor/4 Modulator) Full Vehicle Wheel Control System
4EDN	AIR DRYER {Bendix AD-9SI} with Heater, Includes Safety Valve
4EXU	BRAKE CHAMBERS, REAR AXLE {Bendix EverSure} 30/30 SqIn Spring Brake
4EXV	BRAKE CHAMBERS, FRONT AXLE {Bendix} 24 SqIn
4GBM	BRAKE, PARKING Manual Push-Pull Pneumatic Parking Brake
4LAA	SLACK ADJUSTERS, FRONT {Haldex} Automatic
4LGA	SLACK ADJUSTERS, REAR {Haldex} Automatic
4SPA	AIR COMPRESSOR {Cummins} 18.7 CFM
4VGM	AIR TANK Polished Aluminum, with Straight Thread O-Ring Ports
4VKH	AIR TANK LOCATION (2) Mounted Under Battery Box, Outside Right Rail, Under Cab

Vehicle Specifications
2026 MV607 SBA (MV607)

October 28, 2025

Code	Description
4VLE	AIR DRYER LOCATION Mounted Inside Engine Compartment, Right Side
4WBX	DUST SHIELDS, FRONT BRAKE for Air Cam Brakes
4WDM	DUST SHIELDS, REAR BRAKE for Air Cam Brakes
4XDP	BRAKES, FRONT {Meritor 16.5X5 Q-PLUS CAST} Air S-Cam Type, Cast Spider, Fabricated Shoe, Double Anchor Pin, Size 16.5" X 5", 14,700-lb Capacity
4XDR	BRAKES, REAR {Meritor 16.5X7 Q-PLUS CAST} Air S-Cam Type, Cast Spider, Fabricated Shoe, Double Anchor Pin, Size 16.5" X 7", 23,000-lb Capacity per Axle
5710	STEERING COLUMN Tilting and Telescoping
5CAW	STEERING WHEEL 4-Spoke; 18" Dia., Black
5PSA	STEERING GEAR {Sheppard M100} Power
6DGB	DRIVELINE SYSTEM {Dana Spicer} SPL140, for 4x2/6x2
7BME	EXHAUST SYSTEM Horizontal Aftertreatment System, Frame Mounted Under Right Rail Back of Cab, Includes Single Short Horizontal Tail Pipe
8000	ELECTRICAL SYSTEM 12-Volt, Standard Equipment
	<u>Includes</u>
	: DATA LINK CONNECTOR For Vehicle Programming and Diagnostics In Cab
	: HAZARD SWITCH Push On/Push Off, Located on Instrument Panel to Right of Steering Wheel
	: HEADLIGHT DIMMER SWITCH Integral with Turn Signal Lever
	: PARKING LIGHT Integral with Front Turn Signal and Rear Tail Light
	: STARTER SWITCH Electric, Key Operated
	: STOP, TURN, TAIL & B/U LIGHTS Dual, Rear, Combination with Reflector
	: TURN SIGNAL SWITCH Self-Cancelling for Trucks, Manual Cancelling for Tractors, with Lane Change Feature
	: TURN SIGNALS, FRONT Includes Reflectors and Auxiliary Side Turn Signals, Solid State Flashers; Flush Mounted
	: WINDSHIELD WIPER SWITCH 2-Speed with Wash and Intermittent Feature (5 Pre-Set Delays), Integral with Turn Signal Lever
	: WINDSHIELD WIPERS Single Motor, Electric, Cowl Mounted
	: WIRING, CHASSIS Color Coded and Continuously Numbered
8518	CIGAR LIGHTER Includes Ash Cup
8540	HORN, ELECTRIC (2) Trumpet Style
8GXE	ALTERNATOR {Leece-Neville AVI160P2012} Brush Type, 12 Volt, 190 Amp Capacity, Pad Mount, with Remote Sense
8HAE	BODY BUILDER WIRING Rear of Frame; Includes Sealed Connectors for Tail/Amber Turn/Marker/ Backup/ Accessory Power/Ground and Sealed Connector for Stop/Turn
8HAH	ELECTRIC TRAILER BRAKE/LIGHTS Accommodation Package to Rear of Frame; for Combined Trailer Stop, Tail, Turn, Marker Light Circuits; Includes Electric Trailer Brake Accommodation Package with Cab Connections for Mounting Customer Installed Electric Brake Unit, Less Trailer Socket
8MSG	BATTERY SYSTEM {Fleetrite} Maintenance-Free, (3) 12-Volt 1980CCA Total, Top Threaded Stud
8RMH	BATTERY DISCONNECT SWITCH {Cole-Hersee 75920-06} 300 Amp, Disconnects Charging Circuits, Locks with Padlock, Battery Box Mounted
8RMV	SPEAKERS (2) 6.5" Dual Cone Mounted in Doors
8RNC	CB RADIO Accommodation Package, Header Mounted, Feeds from Accessory Side of Ignition Switch, Includes Power Source, Two Antennas and Antenna Bases with Wiring on Both Side Mirrors

◀ INTERNATIONAL

Vehicle Specifications
2026 MV607 SBA (MV607)

October 28, 2025

<u>Code</u>	<u>Description</u>
8RPR	ANTENNA for Increased Roof Clearance Applications
8RPS	RADIO AM/FM/WB/Clock/Bluetooth/USB Input/Auxiliary Input
8THJ	AUXILIARY HARNESS 3.0' for Auxiliary Front Head Lights and Turn Signals for Front Plow Applications
8TKK	TRAILER AUXILIARY FEED CIRCUIT for Electric Trailer Brake Accommodation/Air Trailer ABS; with 30 Amp Fuse and Relay, Controlled by Ignition Switch
8VUX	BATTERY BOX Steel, with Plastic Cover, 25" Wide, 2-3 Battery Capacity, Mounted Right Side Under Cab
8WBW	JUMP START STUD 12V, Remote Mounted
	<u>Includes</u> : JUMP START STUD Mounted to Battery Box
8WGL	WINDSHIELD WIPER SPD CONTROL Force Wipers to Slowest Intermittent Speed When Park Brake Set and Wipers Left on for a Predetermined Time
8WPH	CLEARANCE/MARKER LIGHTS (5) {Truck Lite} Amber LED Lights, Flush Mounted on Cab or Sunshade
8WPZ	TEST EXTERIOR LIGHTS Pre-Trip Inspection will Cycle all Exterior Lamps Except Back-up Lights
8WRB	HEADLIGHTS ON W/WIPERS Headlights Will Automatically Turn On if Windshield Wipers are Turned On
8WTK	STARTING MOTOR {Delco Remy 38MT Type 300} 12 Volt, Less Thermal Over-Crank Protection
8WTT	SWITCH, TOGGLE, FOR WORK LIGHT Lighted; on Instrument Panel and Wiring Effects for Customer Furnished End of Frame Light
8WWJ	INDICATOR, LOW COOLANT LEVEL with Audible Alarm
8WXD	ALARM, PARKING BRAKE Electric Horn Sounds in Repetitive Manner When Vehicle Park Brake is "NOT" Set, with Ignition "OFF" and any Door Opened
8XAH	CIRCUIT BREAKERS Manual-Reset (Main Panel) SAE Type III with Trip Indicators, Replaces All Fuses
8XHN	HORN, AIR Single Trumpet, Black, with Lanyard Pull Cord
8XJE	TURN SIGNALS, FRONT Dual Face, LED, Amber/Amber, Mounted on Top of Fender, Used with Standard Flush Mounted Front Turn Signal, Side Marker Lamps, Parking Lights and Reflectors
8XMM	LIGHT, WORK, MTD UNDER HOOD (2) LED, Activates with Hood Open
8XNY	HEADLIGHTS Halogen
8XPN	USB PORT One USB-A Port and One USB-C Port, Located in Instrument Panel
9AAB	LOGOS EXTERIOR Model Badges
9AAE	LOGOS EXTERIOR, ENGINE Badges
9HAN	INSULATION, UNDER HOOD for Sound Abatement
9HBN	INSULATION, SPLASH PANELS for Sound Abatement
9HCZ	GRILLE Stationary, Molded in Black, with Chrome Surround
9WBN	FENDER EXTENSIONS Painted
9WBW	FRONT END Tilting, Fiberglass, with Three Piece Construction, Dual Air Intakes
10060	PAINT SCHEMATIC, PT-1 Single Color, Design 100
	<u>Includes</u> : PAINT SCHEMATIC ID LETTERS "WP"
10761	PAINT TYPE Base Coat/Clear Coat, 1-2 Tone

◀ INTERNATIONAL

Vehicle Specifications
2026 MV607 SBA (MV607)

October 28, 2025

Code	Description
10AGB	CONNECTED PLATFORM Includes Connectivity Module and Five Year Data Plan
10SLV	PROMOTIONAL PACKAGE Government Silver Package
10UAV	VEHICLE REGISTRATION IDENTITY ID for Non-CARB Omnibus and/or Non-ACT Adopting State or Exempt Vehicle. Not for use on vehicles registering in CA. Contains non-mitigated legacy engine & cannot be registered in CA unless exempt. You may be held liable under state law for failure to properly register vehicle.
	<u>Notes</u> : CANNOT BE REGISTERED IN CA. For vehicles that will be registered in States other than CA.
10WUE	MUD FLAPS, FRONT WHEELS (2) Rubber, Mounted on Fender Extension
11001	CLUTCH Omit Item (Clutch & Control)
12703	ANTI-FREEZE Red, Extended Life Coolant; To -40 Degrees F/ -40 Degrees C, Freeze Protection
12EYW	ENGINE, DIESEL {Cummins L9 300} EPA 2024, 300HP @ 2200 RPM, 860 lb-ft Torque @ 1200 RPM, 2200 RPM Governed Speed, 300 Peak HP (Max)
12THT	FAN DRIVE {Horton Drivemaster} Two-Speed Type, Direct Drive, with Residual Torque Device for Disengaged Fan Speed
	<u>Includes</u> : FAN Nylon
12VCE	AIR CLEANER Single Element, Fire Retardant Media
12VKC	EMISSION, CALENDAR YEAR {Cummins L9} EPA, OBD and GHG Certified for Calendar Year 2025
12VXT	THROTTLE, HAND CONTROL Engine Speed Control; Electronic, Stationary, Variable Speed; Mounted on Steering Wheel
12VYL	ACCESSORY WIRING, SPECIAL for Road Speed Wire Coiled Under Instrument Panel for Customer Use
12WBR	FAN OVERRIDE Manual; with Electric Switch on Instrument Panel, (Fan On with Switch On)
12WUL	BLOCK HEATER, ENGINE {Phillips} 120V/1000W, with "Y" Cord for Dealer Installed 120V/300W Oil Pan Heater
	<u>Includes</u> : BLOCK HEATER SOCKET Receptacle Type; Mounted below Drivers Door
12WVH	EPA IDLE COMPLIANCE Low NOx Idle Engine, Complies with EPA Clean Air Regulations; Includes "Certified Clean Idle" Decal on Door
12WZE	CARB IDLE COMPLIANCE Does Not Comply with California Clean Air Idle Regulations
12XBM	ENGINE CONTROL, REMOTE MOUNTED Provision for; Includes Wiring for Body Builder Installation of PTO Controls and Starter Lockout, with Ignition Switch Control, for Cummins B6.7 and L9 Engines
12XCA	RADIATOR Aluminum, 3-Row, Down Flow, Front to Back System, 837 SqIn Louvered, with 477 SqIn Charge Air Cooler, Includes In-Tank Oil Cooler
12XCS	CARB EMISSION WARR COMPLIANCE Does Not Comply with CARB Emission Warranty
13BDR	TRANSMISSION, AUTOMATIC {Allison 3500 RDS} 6th Generation Controls, Wide Ratio, 6-Speed with Double Overdrive, with PTO Provision, Less Retarder, Includes Oil Level Sensor, with 80,000-lb GVW and GCW Max, On/Off Highway
13WET	TRANSMISSION SHIFT CONTROL Column Mounted Stalk Shifter, Not for Use with Allison 1000 & 2000 Series Transmission
13WGH	TRANSMISSION DIPSTICK Relocated to Right Side of Transmission
13WLP	TRANSMISSION OIL Synthetic; 29 thru 42 Pints

◀ INTERNATIONAL

Vehicle Specifications
2026 MV607 SBA (MV607)

October 28, 2025

<u>Code</u>	<u>Description</u>
13WUC	ALLISON SPARE INPUT/OUTPUT for Rugged Duty Series (RDS) and Regional Haul Series (RHS), General Purpose Trucks, Construction, Package Number 223
13WVV	NEUTRAL AT STOP Allison Transmission Shifts to Neutral When Service Brake is Depressed and Vehicle is at Stop; Remains in Neutral Until Service Brake is Released
13WYH	TRANSMISSION TCM LOCATION Located Inside Cab
13WYU	SHIFT CONTROL PARAMETERS {Allison} 3000 or 4000 Series Transmissions, Performance Programming
13XAL	PTO LOCATION Customer Intends to Install PTO at Left Side of Transmission
14AKW	AXLE, REAR, SINGLE {Dana Spicer 21060D} Single Reduction, 21,000-lb Capacity, Driver Control Locking Differential, R Wheel Ends . Gear Ratio: 5.57
14SAN	SUSPENSION, REAR, SINGLE 23,500-lb Capacity, Vari-Rate Springs
14SZB	SPRINGS, REAR AUXILIARY Multileaf; 4,500-lb Capacity
15LMN	FUEL/WATER SEPARATOR {Racor 400 Series,} 12 VDC Electric Heater, Includes Pre-Heater, with Primer Pump, Includes Water-in-Fuel Sensor
15LRE	LOCATION FUEL/WATER SEPARATOR Mounted Under Hood, Left Side, Above Front Axle
15SMD	FUEL TANK Top Draw, Polished Aluminum, D-Style, 19" Tank Depth, 70 US Gal (265L), Mounted Left Side, Under Cab
15WDG	DEF TANK 7 US Gal (26L) Capacity, Frame Mounted Outside Left Rail, Under Cab
16030	CAB Conventional, Day Cab
	<u>Includes</u> : CLEARANCE/MARKER LIGHTS (5) Flush Mounted
16BAM	AIR CONDITIONER with Integral Heater and Defroster
16GED	GAUGE CLUSTER Base Level; English with English Electronic Speedometer
	<u>Includes</u> : GAUGE CLUSTER DISPLAY: Base Level (3" Monochromatic Display), Premium Level (5" LCD Color Display); Odometer, Voltmeter, Diagnostic Messages, Gear Indicator, Trip Odometer, Total Engine Hours, Trip Hours, MPG, Distance to Empty/Refill for : GAUGE CLUSTER Speedometer, Tachometer, Engine Coolant Temp, Fuel Gauge, DEF Gauge, Oil Pressure Gauge, Primary and Secondary Air Pressure or Auxiliary Air Pressure (if Air Equipped) : WARNING SYSTEM Low Fuel, Low DEF, Low Oil Pressure, High Engine Coolant Temp, Low Battery Voltage (Visual and Audible), Low Air Pressure, Primary and Secondary (if Air Equipped)
16HGH	GAUGE, OIL TEMP, AUTO TRANS for Allison Transmission
16HHE	GAUGE, AIR CLEANER RESTRICTION {Filter-Minder} Mounted in Instrument Panel
16HKT	IP CLUSTER DISPLAY On Board Diagnostics Display of Fault Codes in Gauge Cluster
16JNT	SEAT, DRIVER {National 2000} Air Suspension, High Back with Integral Headrest, Vinyl, Isolator, 1 Chamber Lumbar, with 2 Position Front Cushion Adjust, -3 to +14 Degree Angle Back Adjust
16SDC	GRAB HANDLE, EXTERIOR (2) Chrome, Towel Bar Type, with Anti-Slip Rubber Inserts, for Cab Entry Mounted Left and Right Side at B-Pillar
16SMN	SEAT, PASSENGER {National} Non Suspension, High Back, Fixed Back, Integral Headrest, Vinyl
16SSE	MIRROR, CONVEX, HOOD MOUNTED (2) Right and Left Sides, Breakaway, Bright, Heated
16SSU	MIRRORS (2) C-Loop, Power Adjust, Heated, Turn Signals, LED Clearance Lights, Bright Heads and Arms, 7" x 14.5" Flat Glass, Includes 8" x 6" Convex Mirrors, for 102" Load Width

Notes

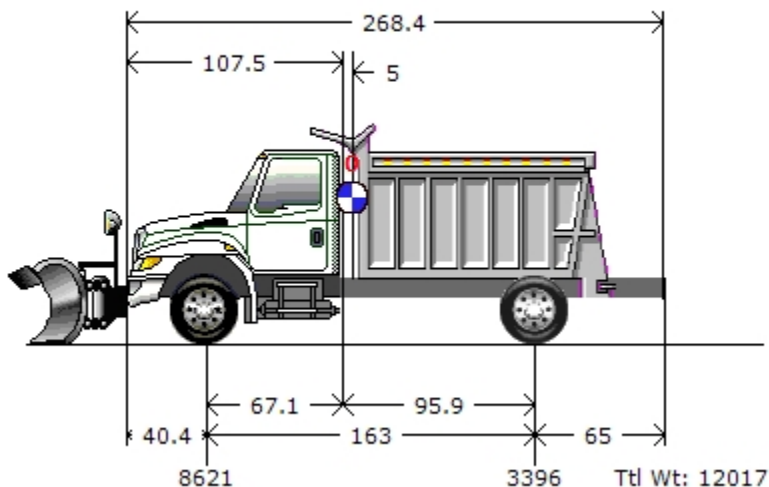
◀ INTERNATIONAL

Vehicle Specifications
2026 MV607 SBA (MV607)

October 28, 2025

<u>Code</u>	<u>Description</u>
	: Mirror Dimensions are Rounded to the Nearest 0.5"
16VKB	CAB INTERIOR TRIM Classic, for Day Cab <u>Includes</u> : CONSOLE, OVERHEAD Molded Plastic with Dual Storage Pockets, Retainer Nets and CB Radio Pocket; Located Above Driver and Passenger : DOME LIGHT, CAB Door Activated and Push On-Off at Light Lens, Timed Theater Dimming, Integral to Overhead Console, Center Mounted : SUN VISOR (2) Padded Vinyl; 2 Moveable (Front-to-Side) Primary Visors, Driver Side with Toll Ticket Strap
16VLK	CAB REAR SUSPENSION Air Suspension, for Mid Cab Height
16VSL	WINDSHIELD Heated, Single Piece
16WBY	ARM REST, RIGHT, DRIVER SEAT
16WJU	WINDOW, POWER (2) and Power Door Locks, Left and Right Doors, Includes Express Down Feature
16WLS	FRESH AIR FILTER Attached to Air Intake Cover on Cowl Tray in Front of Windshield Under Hood
16XJP	INSTRUMENT PANEL Wing Panel
16XWJ	WINDSHIELD WIPER BLADES Winter Type
16ZBT	ACCESS, CAB Steel, Driver & Passenger Sides, Two Steps per Door, for use with Day Cab and Extended Cab
27DUR	WHEELS, FRONT {Accuride 41730} DISC; 22.5x9.00 Rims, Standard Polish Aluminum, 10-Stud, 285.75mm BC, Hub-Piloted, Flanged Nut, with Steel Hubs
28DWR	WHEELS, REAR {Accuride 43644} DUAL DISC; 22.5x8.25 Rims, Standard Polish Aluminum, 10-Stud, 285.75mm BC, Hub-Piloted, Flanged Nut, with Steel Hubs
29TAM	TIRE/WHEEL BALANCING Rim, Wheel Balancing Weights Must be Mounted on the Outside of the Rim
60AAG	BDY INTG, REMOTE POWER MODULE Mounted Inside Cab Behind Driver Seat, Up to 6 Outputs & 6 Inputs, Max 20 amp per Channel, Max 80 amp Total; Includes 1 Switch Pack with Latched Switches
7372135444	(4) TIRE, REAR 11R22.5 Load Range G HDR2+ (CONTINENTAL), 491 rev/mile, 75 MPH, Drive
7792545437	(2) TIRE, FRONT 315/80R22.5 Load Range L HAU 3 WT (CONTINENTAL), 480 rev/mile, 68 MPH, All-Position
	Services Section:
40129	WARRANTY Standard for MV Series, Effective with Vehicles Built July 1, 2017 or Later, CTS-2020A
1	Koenig Body and Equipment Muni Package

Weight Summary
2026 MV607 SBA (MV607)



Graphics are provided as visual aids only and are not intended to represent the actual scale, shape, or color of the truck or its components. All weights are represented in lbs.

Truck			Body/Trailer			Chassis/Empty Weights	
Bumper to Axle	(BA)	40.4	Body Length	(BL)	132	Tractor Front Axle:	7,263
Wheelbase	(WB)	163.00				Tractor Rear Axle:	3,753
Axle to Frame	(AF)	65.00					
Axle to Back Cab	(ABC)	67.1					
Cab to Axle	(CA)	95.9					
Usable CA		95.9					
CA Reduction Adjustment		0.00					
Fuel-Diesel(Gals)		0					
DEF(Gals)		0					

Before the Cab			Cab			Payloads Chassis			Body			After the Body		
#	Weight	CG	#	Weight	CG	#	Weight	CG	#	Weight	CG	#	Weight	CG
									1	0	0			

Loads	
Payload Weight:	0
Driver:	0
Fuel-Diesel(Lbs):	0
DEF(Lbs):	0
Snow Plow:	1,000

Weight Distribution	
Total Front Axle:	8,621
Total Rear Axle:	3,396
Total Weight:	12,017

Weights and clearances in this proposal are estimates only. Navistar, Inc. is not liable for any consequences resulting from any differences between the estimated weights and clearances and the actual manufactured weights and clearances.

INTERNATIONAL

Weight Summary
2026 MV607 SBA (MV607)

October 28, 2025

Weight Distribution

All weights are represented in lbs.

	<u>Truck</u>		
	Front	Rear	Total
Chassis Weight			
Chassis Weight:	7,263	3,753	11,016
Fuel:	0	0	0
DEF:	0	0	0
Empty Body:	0	1	1
(Curb Weight):	7,263	3,754	11,017

Loads

Payloads:	0	0	0
Driver:	0	0	0

Accessories

Snow Plow:	1,358	-358	1,000
------------	-------	------	--------------

Axle Totals (Gross Weight): **8,621** **3,396** **12,017**

Weight Ratings

	<u>Truck</u>	
	Front	Rear
Axle(axle capacity)	14,700	21,000
Tire(tire capacity)	20,000	24,700
Suspension(suspension capacity)	14,700	23,500
Spring:	0	

Fed Bridge Law (axle spread): 20,000 20,000

Wheel Combination

	Load	Limit
1 - 2	12,017	43,000

Federal Total Vehicle Weight Limit: 80,000

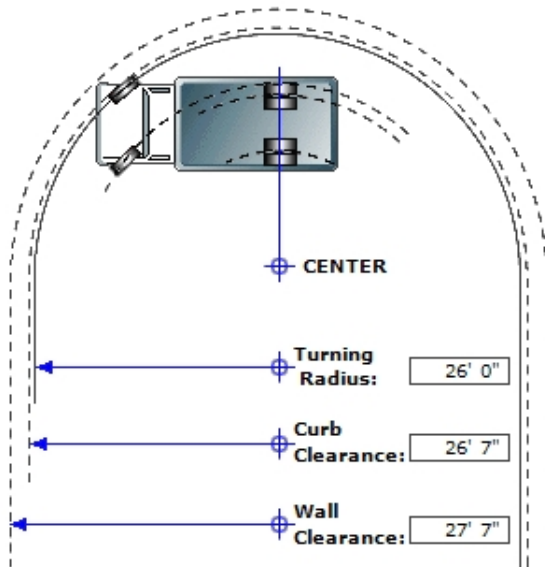
Maximum Gross Vehicle Weight Rating (GVWR) 35,700 - Gross Vehicle Weight(GVW) 12,017 = 23,683 Reserves

Weight Summary

* Distributed weights are within capacity limits

Turning Radius Summary
2026 MV607 SBA (MV607)

October 28, 2025



Series: MV
 Model: MV607
 Description: MV607 SBA
 Model Year: 2026

Calculation Factors

Wheelbase: 163
 Front Axle: 0002AVT
 Description: AXLE, FRONT NON-DRIVING, {Meritor MFS-14-122A} I-Beam Type, 14,700-lb Capacity
 Front Wheel: 0027DUR
 Description: WHEELS, FRONT, {Accuride 41730} DISC; 22.5x9.00 Rims, Standard Polish Aluminum, 10-Stud, 285.75mm BC, Hub-Piloted, Flanged Nut, with Steel Hubs
 Front Tire: 07792545437
 Description: TIRES, 315/80R22.5 Load Range L HAU 3 WT (CONTINENTAL), 480 rev/mile, 68 MPH, All-Position
 Steering Gear: 0005PSA
 Description: STEERING GEAR, {Sheppard M100} Power

Turning Radius Statistics

General Information

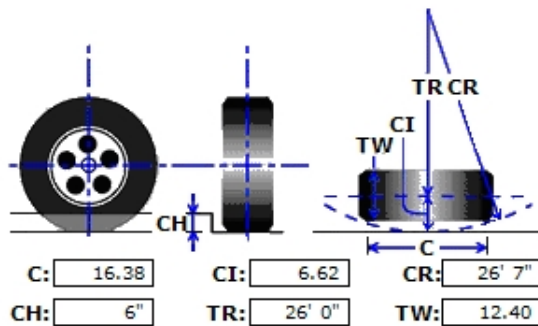
Inside Turn Angle: 42 Degrees
 Radial Overhang: 19

Axle Information

KingPin Inclination: 6.25 Degrees
 KingPin Center: 69

Turning Radius - Curb View

C - Curb Contact Length: 16.38
 CI - Curb Clearance Increment: 6.62
 CR - Curb Clearance Radius: 26'7"
 CH - Curb Height: 6"
 TR - Turning Radius: 26'0"
 TW - Tire Width: 12.40



* All Measurements are in inches, unless otherwise specified.

This information is based on engineering information available at this time. Actual figures may vary. Navistar, Inc. cannot accept liability for consequences due to this variance.

INTERNATIONAL

Financial Summary
2026 MV607 SBA (MV607)

October 28, 2025

<u>Description</u>	<u>(US DOLLAR)</u>	<u>Price</u>
Factory List Prices:		
Product Items	\$153,289.00	
Service Items	\$0.00	
Total Factory List Price Including Options:		\$153,289.00
Freight Charge	\$3,100.00	
Total Freight:		\$3,100.00
Total Factory List Price Including Freight:		\$156,389.00
Less Customer Allowance:		(\$50,065.00)
Total Vehicle Price:		\$106,324.00
Total Body/Allied Equipment:		\$120,728.00
Total Sale Price:		\$227,052.00
Total Per Vehicle Sales Price:		\$227,052.00
Total Net Sales Excluding Taxes:		\$227,052.00
title Fee and Municipal Plate	\$173.00	
Total License, Title:		\$173.00
Net Sales Price:		\$227,225.00

Please feel free to contact me regarding these specifications should your interests or needs change. I am confident you will be pleased with the quality and service of an International vehicle.

Approved by Seller:

Regional Sales Manager 10/28/2025

Official Title and Date

Christopher S. Wilson

 Authorized Signature

Accepted by Purchaser:Firm or Business NameAuthorized Signature and Date

**This proposal is not binding upon the seller without
 Seller's Authorized Signature**

Official Title and Date

If you haven't added a planned maintenance service contract to your proposal yet, please get in touch with your local dealer, International or IC Bus Sales Representative to learn more about the benefits when ordering together with the vehicle.

International® Financial offers loans, a full line up of lease options, and can establish a line of credit for use towards the purchase of International and IC Bus vehicles. Ask your dealer, International® or IC Bus® Sales Representative about completing an International Financial credit application and any promotional offers that may be available. International Financial services are provided by Navistar Financial Corporation.

The TOPS FET Calculation is an estimate for reference purposes only. The seller is responsible for calculating and reporting/paying appropriate FET to the IRS.

The limited warranties applicable to the vehicles described here in are International Motors, LLC* standard printed warranties which are incorporated herein by reference and to which you have been provided a copy and hereby agree to their terms and conditions.

State Contract: B-41660 JPMC Joint Purchase
Bid Number: 24-416CMS-BOSS-B-41660

◀ INTERNATIONAL

Financial Summary
2026 MV607 SBA (MV607)

October 28, 2025

International Motors, LLC d/b/a International Motors USA LLC in Illinois and Ohio.



PHONE: (904) 241-6004
FAX:

MODEL1.COM

MODEL 1 COMMERCIAL VEHICLES

1320 E Chicago St.,
Elgin, Illinois 60120

BUYER'S ORDER CONTRACT

CUSTOMER INFORMATION	
Date: 2026-02-19T21:22:24.672Z	Unit #(s): 1714422
Deal Number: 56646131889	Salesperson: Jake Foor
Additional Information: Sourcewell Contract #081325-CRE	
Sold To Information:	
Customer Name: Village of Downers Grove	
Contact: Timothy Vos	Phone: 16304345951
Address: 850 Curtiss St.	Fax:
City, State, ZIP: Downers Grove, IL, 60515	E-Mail: tvos@downers.us
Bill To Information:	
Contact: Dave Fieldman	Phone: +16304345500
Address: 801 Burlington Avenue	Fax:
City, State, ZIP: Downers Grove, IL, 60515	E-Mail: tvos@downers.us

DELIVERY INFORMATION	
Vehicle: AFI - HVAC Van - 2023	
Ship To Address: 850 Curtiss St	
Ship To Address Cont'd:	
Ship to Phone:	Ship to Email:
Payment Type: Cash	Contact:
Address:	Phone:
City, State, ZIP: Downers Grove, IL, 60515	Country:

Setting the example
the industry follows.



PHONE: (904) 241-6004
FAX:

MODEL1.COM

MODEL 1 COMMERCIAL VEHICLES

1320 E Chicago St.,
Elgin, Illinois 60120

Setting the example
the industry follows.



PHONE: (904) 241-6004
FAX:

MODEL1.COM

MODEL 1 COMMERCIAL VEHICLES

1320 E Chicago St.,
Elgin, Illinois 60120

VEHICLE INFORMATION			
Description of Vehicle:		Body Make/Model/Year AFI - HVAC Van - 2023	
VIN #:	1FTBW9CK1PKA28509	Fuel Type:	Electric
FOB Terms		Ambulatory Passenger Quantity:	2
Estimated Delivery Date:	2026-04-23	Wheelchair Passenger Quantity:	0
Possession State	IL	Payment Terms:	Prepay
		Unit Price:	\$ 51 500.00
		Delivery:	\$ 0.00
		Incentive (Non-Taxable):	\$ (0.00)
		Rebates (Taxable):	\$ (0.00)
		Doc Prep Fee (Taxable):	\$ 0.00
		Selling Price:	\$ 51 500.00
		Other Fees:	\$ 0.00
		Upfit:	\$ 0.00
		ADA Amount (Non Taxable)	\$ 0.00
		Total Taxable Amount:	\$ 51 500.00
Sales Tax Rate:	0.000%	Sales Tax* (Estimated):	\$ 0.00
		Other Fees:	\$ 0.00
		DMV Fees (Estimated):	\$ 0.00
		DMV Electronic Filing Fee:	\$ 0.00
		Environmental Fee	\$ 0.00
		Fees Sub-Total:	\$ 0.00
		Tax Sub-Total	\$ 0.00
		Quantity:	1
Type:		Total number of units	1
Est. Monthly Payment:		Unit Total:	\$ 51 500.00
Annual Milage Limit /		Customer Net Trade:	\$ 0.00
Term:		Customer Deposit:	\$ 0.00
		Balance Due:	\$ 51 500.00
		Contract Total:	\$ 51 500.00

Setting the example
the industry follows.



PHONE: (904) 241-6004

FAX:

MODEL1.COM

MODEL 1 COMMERCIAL VEHICLES1320 E Chicago St.,
Elgin, Illinois 60120**General Terms and Conditions of Dealer Vehicle Sale**

1. Applicability. These General Terms and Conditions of Dealer Vehicle Sale (these “**Terms**”) are the only terms that govern the sale of all vehicles and any services thereto (“**Vehicle**”) by Model 1 Commercial Vehicles, Inc. (“**Dealer**”) to the buyer named on this Agreement (as defined below) to which these Terms are attached (“**Buyer**” or “**You**”). Collectively Buyer and Dealer are referred to as the “**Parties**” and individually as “**Party**.” As applicable, a Buyer’s Order Contract (the “**BOC**”) and/or an Order Confirmation setting forth the Vehicle to be purchased, and these Terms (collectively, this “**Agreement**”) comprise the entire agreement between the parties, and supersede all prior or contemporaneous understandings, agreements, negotiations, representations and warranties, and communications, both written and oral. This Agreement supersedes any of Buyer’s general terms and conditions of purchase regardless of whether or when Buyer has submitted a purchase order or such terms. Dealer expressly rejects Buyer’s general terms and conditions of purchase, and fulfillment of Buyer’s order does not constitute acceptance of any of Buyer’s terms and conditions or serve to modify or amend these Terms. Acceptance of this Agreement by Buyer shall be deemed as the earlier of (i) Buyer’s signature to the BOC and (ii) Buyer’s acceptance of the Vehicle. In the event of any conflict or inconsistency between the terms of an Order Confirmation and a BOC, the Order Confirmation shall prevail. Notwithstanding anything herein to the contrary, if a written contract signed by both Parties is in existence covering the sale of the Vehicle (“**Master Agreement**”), then the Master Agreement shall prevail to the extent of any inconsistency with these Terms.

2. DEALER MAKES NO GUARANTEE OR WARRANTY, EXPRESS OR IMPLIED. The Vehicle is sold by Dealer “AS-IS” with no Dealer guarantee or warranty, implied or express, except as noted in Section 3. All warranties on this Vehicle are made by the manufacturer, and not the Dealer. DEALER HEREBY DISCLAIMS AND EXCLUDES FROM THIS SALE ALL WARRANTIES, EXPRESS OR IMPLIED, INCLUDING, WITHOUT LIMITATION, THE IMPLIED WARRANTY OF MERCHANTABILITY AND THE IMPLIED WARRANTY OF FITNESS FOR A PURPOSE; OR WARRANTY AGAINST INFRINGEMENT OF INTELLECTUAL PROPERTY RIGHTS OF A THIRD PARTY; WHETHER EXPRESS OR IMPLIED BY LAW, COURSE OF DEALING, COURSE OF PERFORMANCE, USAGE OF TRADE, OR OTHERWISE. Buyer understands Dealer does not warrant the year of this Vehicle, the year of the chassis, or the year of any of its component parts, and that the manufacturer(s) of the Vehicle chassis or component is solely responsible for the year assigned to this Vehicle to the extent its year is referenced in the Agreement. If Buyer is purchasing a “new” Vehicle as indicated above, Buyer acknowledges that “new” means that the Vehicle has not been previously titled to an end user although the Vehicle may have been used in a demo or a show. Buyer understands and agrees that manufacturer(s)’ written warranties, if any are applicable to this Vehicle, will be provided by Dealer at the time of Vehicle delivery, or made available earlier upon Buyer’s request. Buyer acknowledges that Dealer is not an agent of the manufacturer and that Dealer has not represented or misrepresented the terms of any applicable manufacturer(s)’ written warranties. Buyer understands and agrees that if either of Buyer or Dealer should breach this Agreement or if Buyer institutes any claim arising out of the purchase of the Vehicle, the statute of limitations for any such claim is limited to one (1) year from the date of sale.

3. LIMITED SERVICE WARRANTY. Dealer represents and warrants to Buyer that it shall perform any services performed to the Vehicle using personnel of required skill, experience, and qualifications and in a professional and workmanlike manner in accordance with generally recognized industry standards for similar services and shall devote adequate resources to meet its obligations under this Agreement. Dealer shall not be liable for a breach of this Section 3 unless Buyer gives written notice of the defective services, reasonably described, to Dealer within seven (7) days of the time when Buyer discovers or ought to have discovered that the services were defective, and in no event shall Dealer be responsible for any defective services later than sixty (60) days following Notification (as set forth in Section 8). Dealer shall, in its sole discretion, either (a) repair or re-perform such services; or (b) credit or refund the price of such services at the pro rata contract rate. THE REMEDIES SET FORTH IN THIS SECTION

*Setting the example
the industry follows.*



PHONE: (904) 241-6004

FAX:

MODEL1.COM

MODEL 1 COMMERCIAL VEHICLES1320 E Chicago St.,
Elgin, Illinois 60120

3 SHALL BE THE CUSTOMER'S SOLE AND EXCLUSIVE REMEDY AND DEALER'S ENTIRE LIABILITY FOR ANY BREACH OF THE LIMITED SERVICE WARRANTY SET FORTH IN THIS SECTION 3. If the services include the installation of accessories, parts or components manufactured by third parties, Dealer makes no warranty whatsoever regarding such third-party accessories, parts and components. Dealer will pass through any third-party warranties on such accessories, parts and components.

4. DEALER NOT AGENT OF MANUFACTURER. Dealer is not the agent of the manufacturer. Dealer is not responsible for changes by the manufacturer in the price, available rebate, design or accessories of specially ordered vehicles. If Dealer's price increases on a Vehicle, or if a rebate to be received by Dealer is reduced or eliminated, or the Vehicle becomes subject to a tariff, the Buyer's price will be increased by a like amount. If the Vehicle price increases by more than 10% (excluding price increases due to tariffs) and Buyer is dissatisfied with the increase, Buyer may cancel this order and Buyer's deposit and trade-in or the actual cash value of the trade-in, if sold, minus any loan, will be refunded. Buyer understands that manufacturer may, from time to time, change the model, design, or other elements, including the parts and accessories, in the Vehicle and at any time a manufacturer makes such changes, neither Dealer nor manufacturer are obligated to make the same changes to Buyer's Vehicle, even if such changes are made prior to delivery of the Vehicle.

5. DEPOSIT; PAYMENT. Unless other payment terms are indicated on the Agreement, (i) a deposit is due at the time of signing the Agreement and before the Vehicle will be ordered or prepared for delivery by Dealer, and (ii) the balance due shall be paid in full within 48 hours of Notification (as set forth in Section 8) and before the Vehicle will be released to the Buyer. Any credit, voucher, rebate, or similar incentive from any state, federal, or other governmental or third-party program that is listed on the BOC is acknowledged as a potential incentive, without guarantee. Dealer neither controls nor assumes any responsibility for the approval, administration, funding, or timing of such programs. Unless otherwise agreed, if Dealer does not receive such funds for any reason, Buyer remains fully responsible for payment of the entire contract price. For any payment terms, in the event Buyer does not make timely payment in full, Dealer may charge Buyer interest on any overdue amount at a rate of 10% per annum or the maximum allowable rate under applicable law, whichever is less, until the overdue amount is paid in full. The Vehicle will not be titled to the Buyer until the contract total for such Vehicle plus any interest charges indicated herein are paid in full.

6. CANCELLATION; CHANGE FEES. There is no "cooling off" or other cancellation period for vehicle sales or services. Therefore, Buyer cannot later cancel this Agreement without the agreement of Dealer, or for legal cause. Further, if either party wishes to change any term of this Agreement or the details of the Vehicle as set forth therein after acceptance of this Agreement, neither party shall be bound by such changes after the date of this Agreement unless mutually agreed upon in writing. If Buyer wishes to change any detail of the Agreement related to the Vehicle being purchased, Buyer shall submit details of the requested change to the Dealer in writing. Dealer shall, within a reasonable time after such request, respond to Buyer's request indicating (i) the acceptance or denial of the change, (ii) the likely impact to timing of the Vehicle's delivery, and (iii) any necessary variations to the fees (including any change fees that may be charged by Dealer). Promptly after receipt of the written estimate, the parties shall negotiate and agree in writing on the terms of the change.

7. DELAYS. Buyer will not hold Dealer liable for any failure or delay in performing this Agreement if such failure or delay is caused by any event outside of Dealer's reasonable control, including, without limitation, (a) any act or omission of the Vehicle manufacturer or any component part manufacturer; (b) Buyer's delay to respond promptly to any Dealer request to provide direction, information, approvals, authorizations, or decisions that are reasonably necessary for Dealer to perform services in accordance with the Agreement, (c) acts of God, natural disasters, flood, fire, earthquake, or explosion; (d) war, invasion, hostilities (whether war is declared or not), terrorist

Setting the example
the industry follows.



PHONE: (904) 241-6004

FAX:

MODEL1.COM

MODEL 1 COMMERCIAL VEHICLES

1320 E Chicago St.,
Elgin, Illinois 60120

threats or acts, riot or other civil unrest; (e) government order, law, or action; (f) embargoes or blockades in effect on or after the date of this Agreement; (g) national or regional emergency; (h) telecommunication breakdowns or power outages or shortages; (i) epidemics, pandemics, or acts of quarantine; and (j) other similar events beyond the reasonable control of Dealer.

8. DELIVERY; INSPECTION; RISK OF LOSS. The method of delivering the Vehicle (“Delivery”) shall be set forth in the BOC and if no such method is defined, then Buyer is responsible for picking up the Vehicle at the Dealer location within forty-eight (48) hours after being notified that the Vehicle is ready for delivery (“Notification”). Unless otherwise set forth in the BOC, the Vehicle will be delivered ExWorks (Dealer location) and full risk of loss will pass upon Notification that the Vehicle is ready for Delivery. If the Buyer delays Delivery of the Vehicle more than five (5) days after Notification, Dealer will have the right to charge a storage fee of \$50 per day for storage of the Vehicle.

9. BUYER’S INSPECTION. If the Vehicle is delivered via a transportation carrier, Buyer shall immediately inspect the Vehicle upon arrival and report any defects resulting from transportation of the Vehicle directly to the transportation carrier through such carrier’s reporting processes. Separately, within forty-eight (48) hours after Delivery, Buyer shall inspect the Vehicle for conformance to the Agreement and report any issues to Dealer (“Inspection”). Upon Delivery and Inspection, Buyer acknowledges: (i) having received ample opportunity for, and actually inspecting the Vehicle as fully as Buyer desires and (ii) utilizing and relying solely upon Buyer’s own judgment to inspect and determine that the Vehicle is of adequate quality, merchantable, and otherwise fit for the purposes intended by Buyer. Buyer further acknowledges that Buyer did not make Dealer aware, and that Dealer was unaware, implicitly or expressly, of any particular purpose intended by Buyer for the Vehicle. Consequently, Buyer has not relied upon Dealer’s skill or judgment in the selection or delivery of the Vehicle. Buyer acknowledges that Dealer has not made any representation regarding the Vehicle’s condition, history, status, prior usage, quality of or regularity of care or servicing, nor the existence of prior damage and/or repair of damage except as required by law.

10. FINANCING OR INSTALLMENT SALES CONTRACTS. IF YOU ARE FINANCING THIS VEHICLE, PLEASE READ THIS NOTICE: YOU ARE PROPOSING TO ENTER INTO A RETAIL INSTALLMENT SALES CONTRACT WITH THE DEALER. PART OF YOUR CONTRACT INVOLVES FINANCING THE PURCHASE OF YOUR VEHICLE. IF YOU ARE FINANCING THIS VEHICLE AND THE DEALER INTENDS TO TRANSFER YOUR FINANCING TO A FINANCE PROVIDER SUCH AS A BANK, CREDIT UNION OR OTHER LENDER, YOUR VEHICLE PURCHASE DEPENDS ON THE FINANCE PROVIDER’S APPROVAL OF YOUR PROPOSED RETAIL INSTALLMENT SALES CONTRACT. IF YOUR RETAIL INSTALLMENT SALES CONTRACT IS APPROVED WITHOUT A CHANGE THAT INCREASES THE COST OR RISK TO YOU OR THE DEALER, YOUR PURCHASE CANNOT BE CANCELLED. IF YOUR RETAIL INSTALLMENT SALES CONTRACT IS NOT APPROVED, THE DEALER WILL NOTIFY YOU VERBALLY OR IN WRITING. YOU CAN THEN DECIDE TO PAY FOR THE VEHICLE IN SOME OTHER WAY OR YOU OR THE DEALER CAN CANCEL YOUR PURCHASE. IF THE SALE IS CANCELLED, YOU NEED TO RETURN THE VEHICLE TO THE DEALER WITHIN 24 HOURS OF VERBAL OR WRITTEN NOTICE IN THE SAME CONDITION IT WAS GIVEN TO YOU, EXCEPT FOR NORMAL WEAR AND TEAR. ANY DOWN PAYMENT OR TRADE-IN YOU GAVE THE DEALER WILL BE RETURNED TO YOU. IF YOU DO NOT RETURN THE VEHICLE WITHIN 24 HOURS OF VERBAL OR WRITTEN NOTICE OF CANCELLATION, THE DEALER MAY LOCATE THE VEHICLE AND TAKE IT BACK WITHOUT FURTHER NOTICE TO YOU AS LONG AS THE DEALER FOLLOWS THE LAW AND DOES NOT CAUSE A BREACH OF THE PEACE WHEN TAKING THE VEHICLE BACK.

11. TITLE; ODOMETER STATEMENT. Title to the Vehicle will remain with Dealer until the agreed upon purchase price is paid in full in cash or Buyer has signed a retail installment contract and it has been accepted

Setting the example
the industry follows.



PHONE: (904) 241-6004

FAX:

MODEL1.COM

MODEL 1 COMMERCIAL VEHICLES

1320 E Chicago St.,
Elgin, Illinois 60120

by a bank or finance company, at which time title shall pass to Buyer even though the actual delivery of the Vehicle may be made at a later date. Buyer agrees that no statement has been made as to the number of miles on any new, used, or demo vehicles, except as set forth in the odometer mileage statement as provided by the Federal Odometer Law and on the face of this Agreement as required under state law which does not constitute a warranty, express or implied, or a contractual term of this Agreement as required under state law which does not constitute a warranty, express or implied, or a contractual team of this Agreement. Buyer acknowledges receipt of such Federal Odometer Statement.

12. TRADE-IN. If Buyer is trading in a vehicle, Buyer will give Dealer the original bill of sale or the title to the trade-in. Buyer promises that any trade-in which Buyer gives in this purchase transaction is owned by Buyer free of any lien or other claim except as noted on the other side of this Agreement. Buyer promises that all taxes of every kind levied against the trade-in have been fully paid. If any government agency makes a levy or claims a tax lien or demand against the trade-in, Dealer may, at Dealer's option, either pay it and Buyer will reimburse Dealer on demand, or Dealer may add that amount to this Agreement as if it had been originally included. Any trade-in delivered by Buyer to Dealer in connection with this Agreement shall be accompanied by documents sufficient to enable the Dealer to obtain a title to the trade-in in accordance with applicable state law. Buyer warrants that the trade-in is or will be properly titled to Buyer and/or Buyer has the right to sell or otherwise convey the trade-in and the trade-in has never been a salvaged, reconditioned or rebuilt, flooded or a lemon buyback, and the trade-in is free and clear of all liens or encumbrances except as may be noted on the front of this Agreement. If Buyer's initial trade-in value is determined by anything other than a physical appraisal by Dealer, Dealer may later reappraise and amend the value of the trade-in allowance at such time Dealer has the opportunity to perform a physical appraisal of the trade-in. This physical appraisal will then determine the actual trade-in allowance provided on the front side of this Agreement.

13. FAILURE TO COMPLETE PURCHASE. Failure to timely accept Delivery by Buyer shall give Dealer the right to dispose of any trade-in, trading any cash consideration received as a deposit and retaining the same, and at Dealer's option, the right to retain any deposit and pursue any other remedy available under the law to adequately compensate Dealer's damages, costs, expenses, or losses incurred by Dealer because Buyer failed to complete this purchase; further, Dealer may make the Vehicle available for sale to other customers. If Dealer paid any negative equity balance on the trade-in, Buyer shall pay to Dealer the amount paid on Buyer's behalf. If Dealer brings an action or involves an attorney to enforce the terms of this section, Buyer agrees to pay Dealer's reasonable attorneys' fees, court costs, and other expenses incurred in pursuing such action.

14. EXCLUSION OF CERTAIN DAMAGES. IN NO EVENT SHALL DEALER OR ANY OF ITS REPRESENTATIVES BE LIABLE FOR CONSEQUENTIAL, INDIRECT, INCIDENTAL, SPECIAL, EXEMPLARY, PUNITIVE, OR ENHANCED DAMAGES, LOST PROFITS OR REVENUES OR DIMINUTION IN VALUE, ARISING OUT OF OR RELATING TO THIS AGREEMENT, REGARDLESS OF (A) WHETHER SUCH DAMAGES WERE FORESEEABLE, (B) WHETHER BUYER WAS ADVISED OF THE POSSIBILITY OF SUCH DAMAGES, AND (C) THE LEGAL OR EQUITABLE THEORY (CONTRACT, TORT, OR OTHERWISE) UPON WHICH THE CLAIM IS BASED. Such excluded damages may include, but are not limited to, any loss of use, loss of time, inconvenience, aggravation, loss of wages/earnings/income, fuel/transportation expenses, hotel/motel costs, insurance, storage, rental or replacement, altered or cancelled trips/vacations, the cost of any food/meals and any other consequential, indirect, incidental, special, exemplary, punitive or enhanced damages. Buyer acknowledges that Buyer shall not seek or recover such damages from Dealer. Buyer acknowledges this disclaimer of damages is independent of and shall survive any failure of the essential purpose of any warranty or remedy. DEALER'S AGGREGATE LIABILITY ARISING OUT OF OR RELATED TO THIS AGREEMENT, WHETHER ARISING OUT OF OR RELATED TO BREACH OF CONTRACT, TORT (INCLUDING NEGLIGENCE) OR OTHERWISE, SHALL NOT EXCEED TOTAL CONTRACT PRICE OF THE VEHICLE BEING SOLD UNDER THIS AGREEMENT.

*Setting the example
the industry follows.*



PHONE: (904) 241-6004

FAX:

MODEL1.COM

MODEL 1 COMMERCIAL VEHICLES1320 E Chicago St.,
Elgin, Illinois 60120

15. PATENT LIABILITY. Where Dealer supplies goods to Buyer's specifications and/or manufactured or fabricated from Buyer's blueprint, sketch, specifications, or tooling Buyer, at its own expense, shall defend any suit or proceeding of any kind whatsoever brought against Dealer in any capacity if such suit or proceeding involves a claim that any goods or any part thereof constitutes an infringement of any patent, copyright or trademark and Buyer shall pay or indemnify any and all judgments, expenses and costs which may be awarded against or incurred by Dealer related to such legal action.

16. TAXES, INSURANCE. Buyer shall be liable for all sales, use, or other taxes of a similar nature applicable to the transaction unless such payment is otherwise prohibited by law. Buyer assumes responsibility to cover the Vehicle described on the front of this Agreement with necessary and proper insurance coverage and assumes all legal liability arising from the operation of the Vehicle from the time of Delivery. Buyer understands that Buyer is not covered by insurance on the Vehicle until Buyer's insurance company accepts coverage on the Vehicle. Buyer agrees to hold Dealer harmless from any and all claims due to loss or damage prior to Buyer's insurance company accepting coverage on the Vehicle.

17. CHOICE OF LAW AND VENUE, FEES. Any controversy, dispute or claim arising out of or relating to this Agreement or breach thereof shall be interpreted under the laws of the state in which Dealer is located and venue will be in the state and county in which Dealer is located or the applicable federal court. If Dealer brings a legal action to enforce or interpret this Agreement and prevails, Buyer shall pay Dealer's reasonable attorneys' fees and costs incurred in such action. If Buyer brings an action based on this Agreement and does not prevail, Buyer shall pay Dealer's reasonable attorneys' fees and costs incurred in the defense of such action or any part thereof.

18. WAIVER OF JURY TRIAL; CLASS ACTIONS. Buyer agrees that any controversy, dispute or claim arising out of or relating to this Agreement or breach thereof will be decided by a judge, rather than a jury. Buyer further agrees in connection with this purchase to waive Buyer's right to participate as a class member in any class action lawsuit that might be brought against Dealer.

19. SEVERABILITY. Buyer and Dealer agree that each portion of this Agreement is such that if any term, provision or paragraph is found to be invalid, voidable, or unenforceable for any reason, such provision or paragraph may be severed and all other portions of this Agreement shall remain valid and enforceable.

Version 2025-10-01

Authorized Customer's Representative**Model 1 Commercial Vehicles, Inc****Signature:** _____**Signature:** _____**Name:** _____**Name:** _____**Title:** _____**Title:** _____**Date:** _____**Date:** _____

Setting the example
the industry follows.